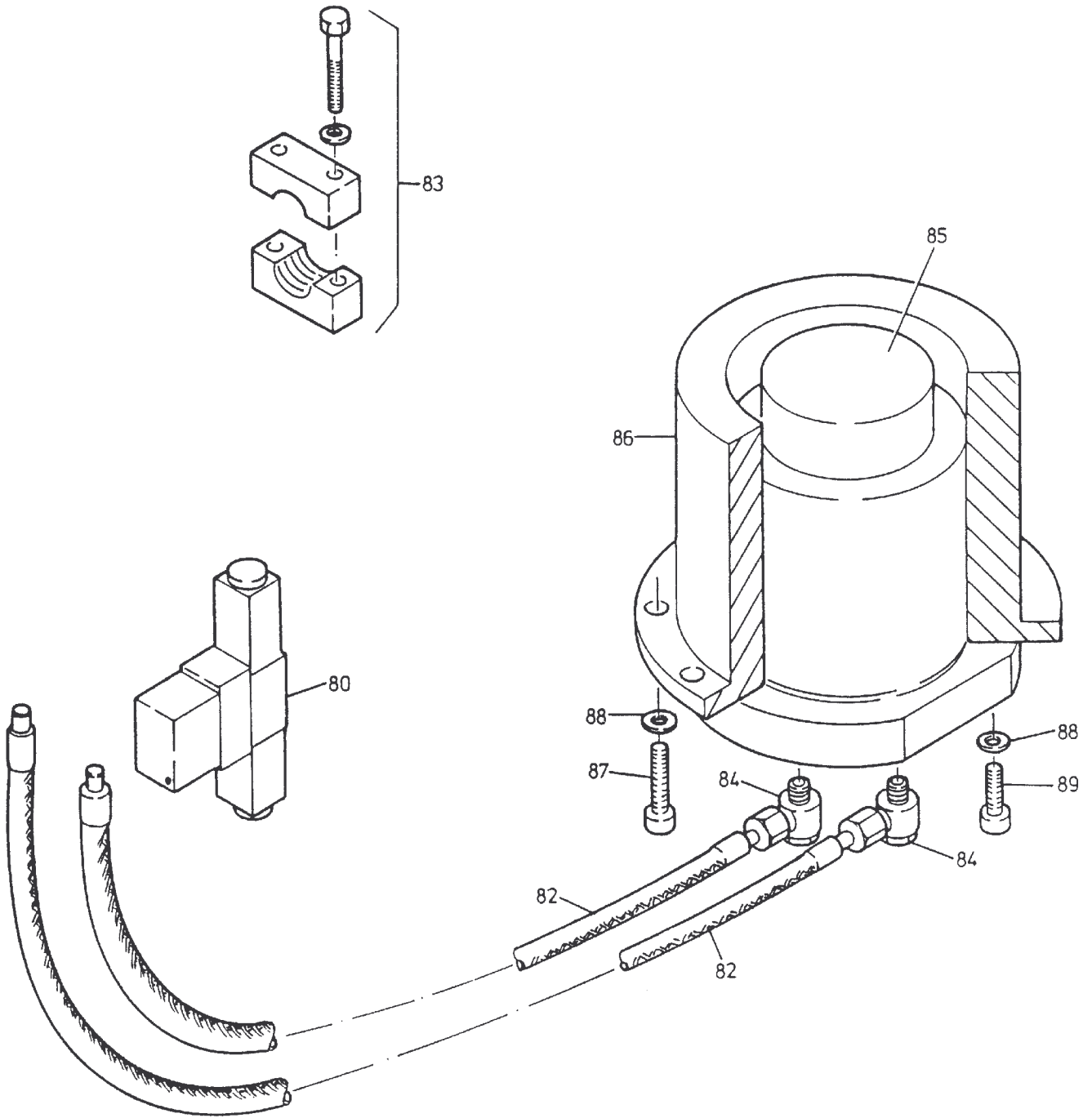


124-6030a1



**124-6030a1**

Seite/Page 2 / 4

| Bild-Nr<br>Fig<br>Fig<br>Fig<br>Fig<br>Bild nr | ET-Nr<br>Part-No<br>No. de Piece<br>No. de Pieza<br>No. del Pezzo<br>Detalj nr | Stückzahl<br>Qty<br>Qte<br>Ctd<br>Qta<br>Antal |                                                         | Gegenstand<br>Description<br>Designation<br>Descripcion<br>Designazione<br>Benaemning |
|------------------------------------------------|--------------------------------------------------------------------------------|------------------------------------------------|---------------------------------------------------------|---------------------------------------------------------------------------------------|
| 00                                             | 422 202 40                                                                     | 1                                              | II. Innenkasten, kpl.                                   | II. Inner case, assy.                                                                 |
| 01                                             | 422 201 40                                                                     | 1                                              | II. Innenkasten (SK)                                    | II. Inner case                                                                        |
| 02                                             | 393 367 40                                                                     | 2                                              | Gleitschuh, unten, kpl.<br>einschl. Bild-Nr. 03-06      | Guide shoe, below, assy.<br>incl. fig-nos: 03-06                                      |
| 03                                             | 355 979 40                                                                     | 2                                              | Gleitstück (anpassen)                                   | Slider (to be adapted)                                                                |
| 04                                             | 320 433 99                                                                     | 8                                              | Schraube                                                | Bolt                                                                                  |
| 05                                             | 003 121 98                                                                     | 8                                              | Schraubensicherung                                      | Bolt lock                                                                             |
| 06                                             | 332 111 99                                                                     | 8                                              | Mutter                                                  | Nut                                                                                   |
| 07                                             | 393 363 40                                                                     | 2                                              | Obere Führung, kpl.<br>einschl. Bild-Nr. 08-11          | Upper guide, assy.<br>incl. fig-nos: 08-11                                            |
| 08                                             | 358 322 40                                                                     | 2                                              | Gleitstück (anpassen)                                   | Slider (to be adapted)                                                                |
| 09                                             | 320 433 99                                                                     | 6                                              | Schraube                                                | Bolt                                                                                  |
| 10                                             | 003 121 98                                                                     | 6                                              | Schraubensicherung                                      | Bolt lock                                                                             |
| 11                                             | 332 111 99                                                                     | 6                                              | Mutter                                                  | Nut                                                                                   |
| 12                                             | 317 103 40                                                                     | 1                                              | Untere Führung, rechts, kpl.<br>einschl. Bild-Nr. 14-17 | Lower guide, r.h., assy.<br>incl. fig-nos: 14-17                                      |
| 13                                             | 317 104 40                                                                     | 1                                              | Untere Führung, links, kpl.<br>einschl. Bild-Nr. 14-17  | Lower guide, l.h., assy.<br>incl. fig-nos: 14-17                                      |
| 14                                             | 317 107 40                                                                     | 2                                              | Gleitstück (anpassen)                                   | Slider (to be adapted)                                                                |
| 15                                             | 320 421 99                                                                     | 4                                              | Schraube                                                | Bolt                                                                                  |
| 16                                             | 003 121 98                                                                     | 4                                              | Schraubensicherung                                      | Bolt lock                                                                             |
| 17                                             | 332 111 99                                                                     | 4                                              | Mutter                                                  | Nut                                                                                   |
| 18                                             | 393 368 40                                                                     | 2                                              | Achse                                                   | Axle                                                                                  |
| 19                                             | 367 877 40                                                                     | 2                                              | Achshalter                                              | Axle stirrup                                                                          |
| 20                                             | 393 369 40                                                                     | 1                                              | Rohr                                                    | Pipe                                                                                  |
| 21                                             | 360 136 99                                                                     | 2                                              | Pendelkugellager                                        | Self-aligning bearing                                                                 |
| 22                                             | 408 644 40                                                                     | 2                                              | Bolzen                                                  | Pin                                                                                   |
| 23                                             | 307 824 99                                                                     | 4                                              | Schraube                                                | Bolt                                                                                  |
| 24                                             | 003 818 98                                                                     | 4                                              | Mutter (selbstsichernd)                                 | Bolt (self-locking)                                                                   |
| 25                                             | 340 581 99                                                                     | 4                                              | Scheibe                                                 | Disk                                                                                  |
| 26                                             | 307 822 99                                                                     | 4                                              | Schraube                                                | Bolt                                                                                  |
| 27                                             | 343 116 99                                                                     | 4                                              | Federring                                               | Lock washer                                                                           |
| 28                                             | 393 014 40                                                                     | 4                                              | Buchse                                                  | Bush                                                                                  |
| 29                                             | 342 105 99                                                                     | 2                                              | Splint                                                  | Cotter pin                                                                            |
| 30                                             | 307 601 99                                                                     | 6                                              | Schraube                                                | Bolt                                                                                  |
| 31                                             | 347 684 40                                                                     | 6                                              | Scheibe                                                 | Disk                                                                                  |
| 32                                             | 346 511 99                                                                     | 6                                              | Federring                                               | Lock washer                                                                           |
| 33                                             | 367 876 40                                                                     | 2                                              | Distanzblech                                            | Distance plate                                                                        |
| 34                                             | 311 367 40                                                                     | 2                                              | Blech                                                   | Plate                                                                                 |
| 35                                             | 307 750 99                                                                     | 4                                              | Schraube                                                | Bolt                                                                                  |

**II. Innenkasten  
II. Inner Case**

**124-6030a1**

Seite/Page 3 / 4

| <b>Bild-Nr</b><br>Fig<br>Fig<br>Fig<br>Bild nr | <b>ET-Nr</b><br>Part-No<br>No. de Piece<br>No. de Pieza<br>No. del Pezzo<br>Detalj nr | <b>Stückzahl</b><br>Qty<br>Qte<br>Ctd<br>Qta<br>Antal |                                                    | <b>Gegenstand</b><br>Description<br>Designation<br>Descripcion<br>Designazione<br>Benaemning |
|------------------------------------------------|---------------------------------------------------------------------------------------|-------------------------------------------------------|----------------------------------------------------|----------------------------------------------------------------------------------------------|
| 36                                             | 346 510 99                                                                            | 4                                                     | Federring                                          | Lock washer                                                                                  |
| 37                                             | 311 390 40                                                                            | 2                                                     | Knagge                                             | Driver                                                                                       |
| 38                                             | 350 562 99                                                                            | 2                                                     | Schmiernippel                                      | Grease nipple                                                                                |
| 51                                             | 393 938 40                                                                            | 1                                                     | Gleitschuh, links                                  | Guide shoe, l.h.                                                                             |
| 52                                             | 393 939 40                                                                            | 1                                                     | Gleitschuh, rechts                                 | Guide shoe, r.h.                                                                             |
| -                                              | 390 887 00                                                                            | -                                                     | Fett für die Gleitflächen 1 kg                     | Special grease for sliding faces                                                             |
|                                                |                                                                                       |                                                       | <b>Kundenwunsch</b>                                | <b>Optional equipment</b>                                                                    |
| 80                                             | -                                                                                     | 1                                                     | Magnetventil<br>siehe EL-Blatt 124-6065            | Solenoid valve<br>see page 124-6065                                                          |
| 82                                             | 326 806 40                                                                            | 2                                                     | Schlauchleitung L=860                              | Hose, assy.                                                                                  |
| 83                                             | -                                                                                     |                                                       | Schelle<br>siehe EL-Blatt 90-9995                  | Clamp<br>see page 90-9995                                                                    |
| 84                                             | 006 912 98                                                                            | 2                                                     | W-Verschraubung                                    | Union                                                                                        |
| 85                                             | -                                                                                     | 1                                                     | Verriegelungszyylinder<br>siehe EL-Blatt 124-6066a | Locking cylinder<br>see page 124-6066a                                                       |
| 86                                             | 393 744 40                                                                            | 1                                                     | Buchse                                             | Bush                                                                                         |
| 87                                             | 319 272 99                                                                            | 8                                                     | Schraube                                           | Screw                                                                                        |
| 88                                             | 343 112 99                                                                            | 14                                                    | Federring                                          | Lock washer                                                                                  |
| 89                                             | 320 365 99                                                                            | 6                                                     | Schraube                                           | Screw                                                                                        |
| -                                              | 422 881 40                                                                            | 1                                                     | Abdeckung für Verriegelungs-<br>hydraulik          | Covering for locking hydr.                                                                   |

**II. Innenkasten**  
**II. Inner Case**

**124-6030a1**

Seite/Page 4 / 4