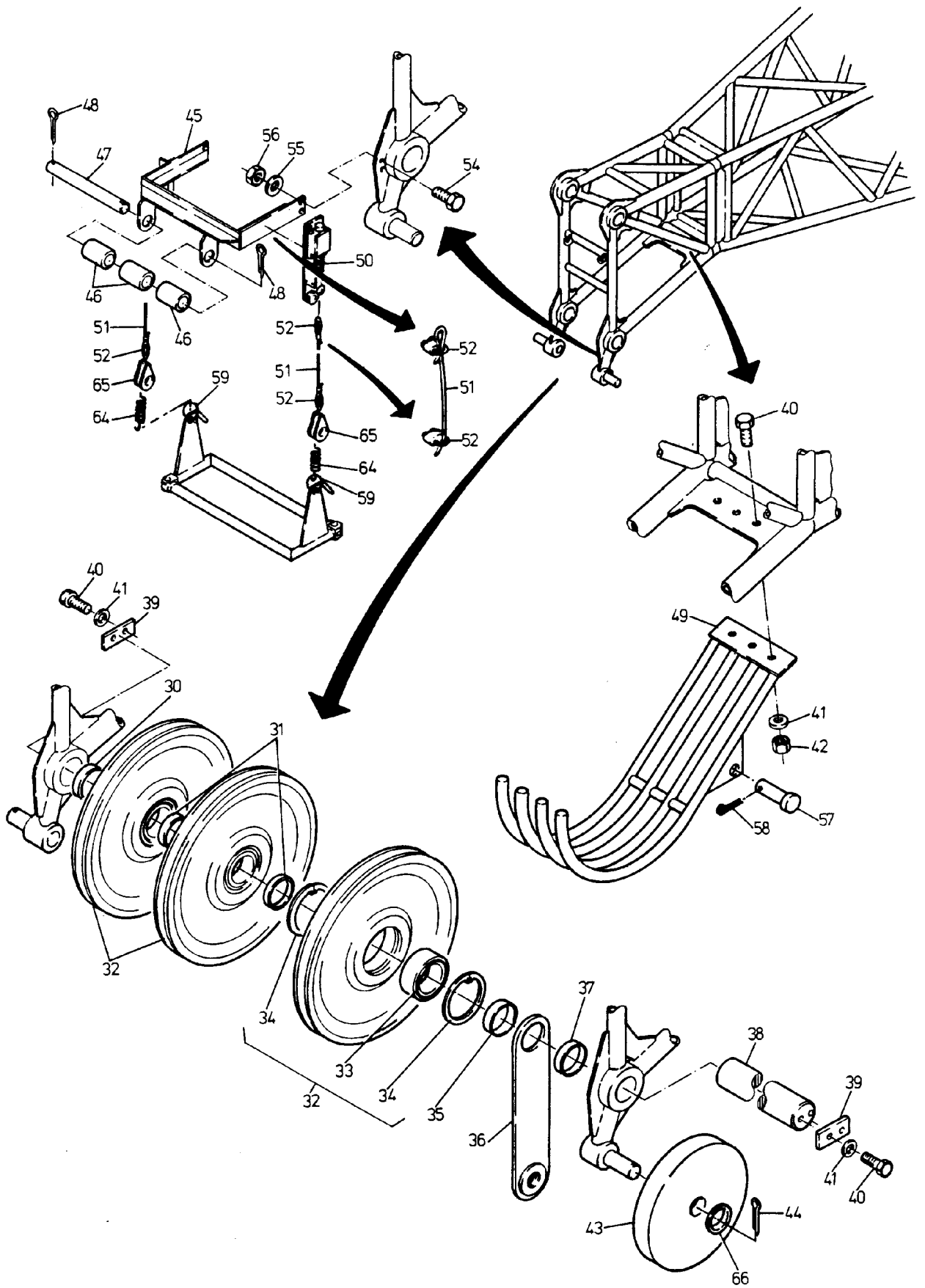


124-6105b



124-6105b

| Bild-Nr<br>Fig<br>Fig<br>Fig<br>Fig<br>Bild nr     | ET-Nr<br>Part-No<br>No. de Piece<br>No. de Pieza<br>No. del Pezzo<br>Detailj nr | Stückzahl<br>Qty<br>Qte<br>Qtd<br>Qta<br>Antal |  | Gegenstand<br>Description<br>Designation<br>Description<br>Designazione<br>Benaemning |
|--|---|--|--|---|
|  |   |  | <b>Bild 1</b>                                    | <b>Graphic 1</b>  |
| 00   | 485 414 40  |  | Auslegerspitze, kpl.                             | Boom top section, assy.   |
| 01   | 405 117 40  | 1  | Auslegerspitze (SK)                              | Boom top section  |
| 03   | 394 362 40  |  | Seilrolle, kpl. ø 528<br>einschl. Bild-Nr. 04,05 | Sheave, assy.<br>incl. fig-nos: 04,05   |
| 04   | 002 018 98  | 1  | Zyl.-Rollenlager                                 | Cylindrical roller bearing  |
| 05   | 500 609 98  | 2  | Sprengring                                       | Snap ring   |
| 09   | 304 540 40  | 1  | Distanzrohr L=68                                 | Distance sleeve   |
| 09   | 549 730 40  | 1  | Distanzrohr L=35,5                               | Distance sleeve   |
| 10   | 304 541 40  | 1  | Distanzrohr L=188                                | Distance sleeve   |
| 10   | 549 731 40  | 1  | Distanzrohr L=155,5                              | Distance sleeve   |
| 11   | 309 151 99  | 2  | Schraube   | Bolt  |
| 12   | 332 336 99  | 2  | Mutter   | Nut   |
| 13   | 485 446 40  | 1  | Achse  | Axle  |
|  |   |  | <b>Bild 2</b>                                    | <b>Graphic 2</b>  |
| 30   | 304 542 40  | 1  | Distanzrohr L=25                                 | Distance sleeve   |
| 31   | 304 543 40  | 2  | Distanzrohr L=13                                 | Distance sleeve   |
| 32   | 394 360 40  | 3  | Seilrolle, kpl.<br>einschl. Bild-Nr. 33,34       | Sheave, assy.<br>incl. fig-nos: 33,34   |
| 33   | 002 924 98  | 3  | Zyl.-Rollenlager                                 | Cylindrical roller bearing  |
| 34   | 500 610 98  | 2  | Sprengring                                       | Snap ring   |
| 35   | 304 544 40  | 1  | Distanzrohr L=28                                 | Distance sleeve   |
| 36   | 405 159 40  | 1  | Festpunkt  | Fixed point   |
| 37   | 304 545 40  | 1  | Distanzrohr L=21                                 | Distance sleeve   |
| 38   | 304 535 40  | 1  | Bolzen   | Pin   |
| 39   | 304 538 40  | 2  | Achshalter                                       | Axle stirrup  |
| 40   | 307 804 99  | 7  | Schraube   | Bolt  |
| 41   | 343 112 99  | 7  | Federring  | Lock washer   |
| 42   | 332 334 99  | 3  | Mutter   | Nut   |
| 43   | 422 889 40  | 2  | Laufrolle  | Bottom roller   |
| 44   | 342 144 99  | 2  | Splint   | Cotter pin  |
| 45   | 304 531 40  | 1  | Seilschutz                                       | Rope protection   |
| 46   | 304 539 40  | 3  | Walze  | Roll  |
| 47   | 304 537 40  | 1  | Bolzen   | Pin   |
| 48   | 342 103 99  | 2  | Splint   | Cotter pin  |
| 49   | 304 532 40  | 1  | Seilschutz                                       | Rope protection   |
| 50   | -   | 1  | Abschaltung<br>siehe EL-Blatt 48-6285b2          | Cut-off device<br>see page 48-6285b2  |
| 51   | *   | 2  | Seil ø 5   | Rope  |
| 52   | 001 803 98  | 6  | Seilklemme                                       | Rope clamp  |
| 53   | 459 751 40  | 1  | Seilbügel  | Rope shackle  |
| 54   | 307 754 99  | 4  | Schraube   | Bolt  |
| <b>Auslegerspitze, 6m<br/>Boom Top Section, 6m</b> |   |  | <b>124-6105b</b>                                 |   |
|  |   |  | Seite/Page 3/4                                   |   |

| <b>Bild-Nr</b><br>Fig<br>Fig<br>Fig<br>Fig<br>Bild nr | <b>ET-Nr</b><br>Part-No<br>No. de Piece<br>No. de Pieza<br>No. del Pezzo<br>Detailj nr | <b>Stückzahl</b><br>Qty<br>Qte<br>Ctd<br>Qta<br>Antal |  | <b>Gegenstand</b><br>Description<br>Designation<br>Descripcion<br>Designazione<br>Benaemning |
|---|--|---|--|--|
| 55  | 346 510 99   | 4   | Federring                                    | Lock washer  |
| 56  | 332 111 99   | 4   | Mutter                                       | Nut  |
| 57  | 502 463 98   | 1   | Bolzen                                       | Pin  |
| 58  | 342 035 99   | 1   | Splint                                       | Cotter pin   |
| 59  | 485 473 40   | 2   | Öse  | Eye  |
| 64  | 485 605 40   | 1   | Zugfeder                                     | Draw spring  |
| 65  | 349 554 40   | 1   | Seilkausche                                  | Grummet  |
| 66  | 340 631 99   | 2   | Scheibe                                      | Disc   |
|   |  |   | * Meterware, bei Bestellung<br>Länge angeben | * Bulk ware, state length<br>required  |
| *   | 394 785 40   | -   | Seil ø 5                                     | Rope   |