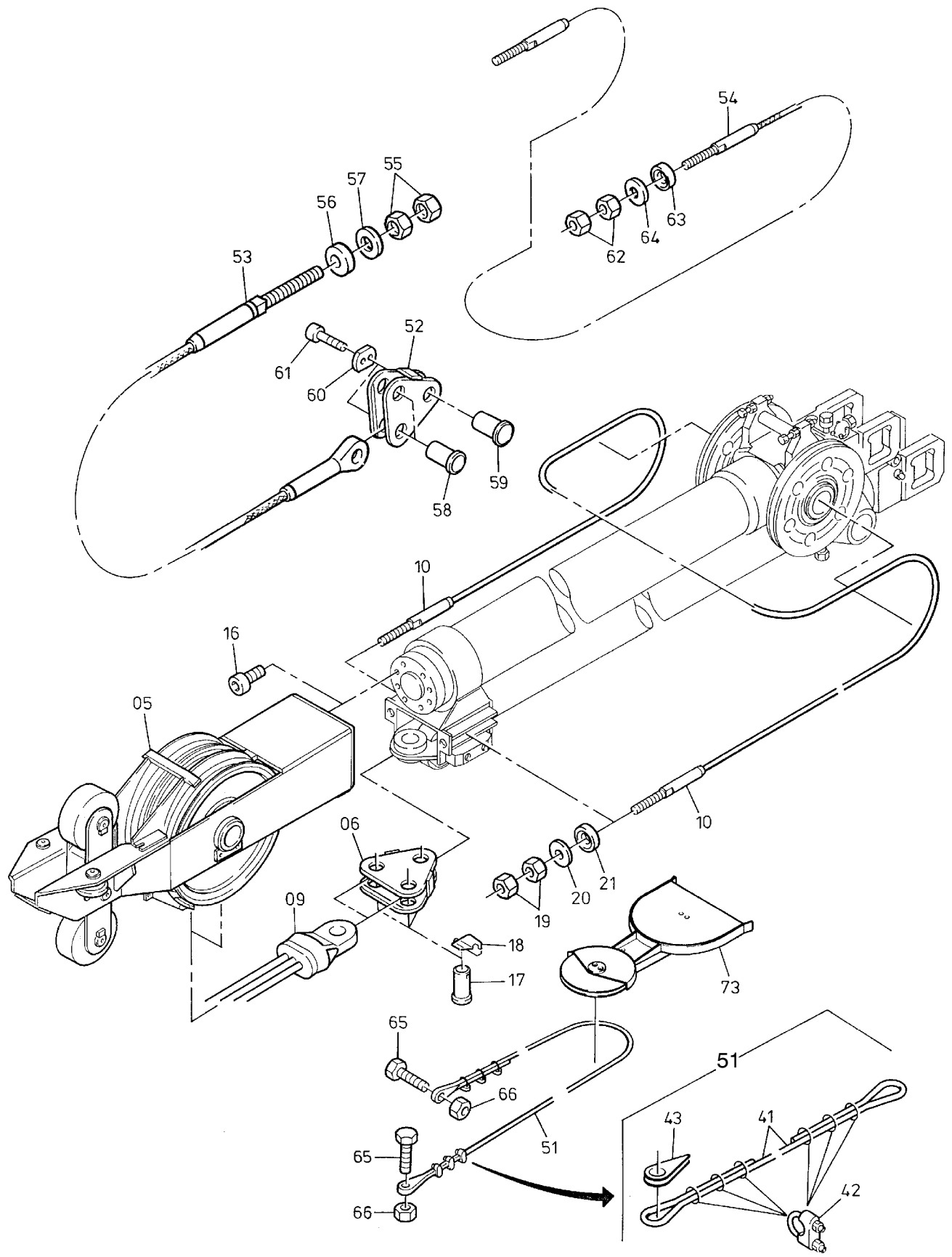


173-6040-1



173-6040-1

| Bild-Nr<br>Fig<br>Fig<br>Fig<br>Fig<br>Bild nr | ET-Nr<br>Part-No<br>No. de Piece<br>No. de Pieza<br>No. del Pezzo<br>Detail nr | Stückzahl<br>Qty<br>Qte<br>Ctd<br>Qta<br>Antal |   | Gegenstand<br>Description<br>Designation<br>Descripcion<br>Designazione<br>Benaemning |
|--|--|--|---|---|
| 01   | -  | 1  | Teleskopierzylinder 1<br>s. EL-Blatt 173-6041-1 | Telescopic cylinder 1<br>see page 173-6041-1  |
| 02   | -  | 1  | Teleskopierzylinder 2<br>s. EL-Blatt 173-6042-1 | Telescopic cylinder 2<br>see page 173-6042-1  |
| 03   | 590 114 40   | 2  | Seilrolle                                       | Sheave  |
| 04   | -  | 1  | Zylinderführung<br>s. EL-Blatt 173-6044-1       | Cylinder guide<br>see page 173-6044-1   |
| 05   | -  | 1  | Zylinderführung<br>s. EL-Blatt 173-6044-1       | Cylinder guide<br>see page 173-6044-1   |
| 06   | 590 177 40   | 1  | Schwinge  | Rocker arm  |
| 07   | 547 132 40   | 1  | Halter, links                                   | Retainer, l.h.  |
| 08   | 547 129 40   | 1  | Halter, rechts                                  | Retainer, r.h.  |
| 09   | 590 500 40   | 2  | Ausfahrseil 1                                   | Extending rope 1  |
| 10   | 590 170 40   | 1  | Einfahrseil 1                                   | Retracking rope 1   |
| 11   | 528 899 40   | 2  | Scheibe   | Disc  |
| 12   | 590 180 40   | 1  | Bolzen  | Pin   |
| 13   | 345 044 99   | 2  | Spannstift                                      | Dowel pin   |
| 14   | 509 787 98   | 4  | Schraube  | Screw   |
| 15   | 510 321 98   | 4  | Scheibe   | Washer  |
| 16   | 510 651 98   | 15   | Schraube  | Bolt  |
| 17   | 590 181 40   | 3  | Bolzen  | Pin   |
| 18   | 551 052 40   | 3  | Klappstecker                                    | Fore lock   |
| 19   | 509 868 98   | 4  | Mutter  | Nut   |
| 20   | 508 152 98   | 2  | Scheibe   | Spherical washer  |
| 21   | 508 153 98   | 2  | Kegel-Pfanne                                    | Conical seat  |
| 22   | 342 574 99   | 2  | Sicherungsring                                  | Circlip   |
| 23   | 529 744 40   | 1  | Gleitstück                                      | Slider  |
| 24   | 509 777 98   | 4  | Schraube  | Screw   |
| 25   | 529 723 40   | 1  | Seilschutz                                      | Rope protection   |
| 41   | 528 822 40   | 1  | Seil  | Rope  |
| 42   | 440 727 40   | 6  | Seilklemme                                      | Rope clamp  |
| 43   | 440 729 40   | 2  | Kausche   | Thimble   |
| 51   | 528 821 40   | 1  | Seil, kpl.<br>Bild-Nr. 41-43                    | Rope assy.<br>fig-nos. 41-43  |
| 52   | 590 491 40   | 2  | Schwinge  | Rocker arm  |
| 53   | 590 172 40   | 4  | Ausfahrseil 2                                   | Extending rope 2  |
| 54   | 590 174 40   | 1  | Einfahrseil 2                                   | Retracking rope 2   |
| 55   | 509 868 98   | 8  | Mutter  | Nut   |
| 56   | 508 153 98   | 4  | Kegelpfanne                                     | Cup   |
| 57   | 508 152 98   | 4  | Kugelscheibe                                    | Spherical shim  |
| 58   | 590 494 40   | 4  | Bolzen  | Pin   |
| 59   | 590 495 40   | 2  | Bolzen  | Pin   |

| <b>Bild-Nr</b><br>Fig<br>Fig<br>Fig<br>Fig<br>Bild nr | <b>ET-Nr</b><br>Part-No<br>No. de Piece<br>No. de Pieza<br>No. del Pezzo<br>Detailj nr | <b>Stückzahl</b><br>Qty<br>Qte<br>Ctd<br>Qta<br>Antal |   | <b>Gegenstand</b><br>Description<br>Designation<br>Descripcion<br>Designazione<br>Benaemning |
|---|--|---|---|--|
| 60  | 590 496 40   | 6   | Scheibe                                   | Disc   |
| 61  | 509 818 98   | 12  | Schraube                                  | Screw  |
| 62  | 509 867 98   | 4   | Mutter                                    | Nut  |
| 63  | 500 304 98   | 2   | Kegelpfanne                               | Cup  |
| 64  | 115 121 99   | 2   | Kugelscheibe                              | Spherical shim   |
| 65  | 509 834 98   | 6   | Schraube                                  | Bolt   |
| 66  | 509 865 98   | 2   | Mutter                                    | Nut  |
| 67  | 528 358 40   | 4   | Bolzen                                    | Pin  |
| 68  | 528 356 40   | 1   | Bolzen                                    | Pin  |
| 69  | 528 361 40   | 1   | Bolzen                                    | Pin  |
| 70  | 509 552 98   | 4   | Sicherungsring                            | Circlip  |
| 71  | 590 497 40   | 2   | Halter                                    | Retainer   |
| 72  | 510 495 98   | 4   | Scheibe                                   | Washer   |
| 73  | -  | 1   | Schlauchflasche<br>s. EL-Blatt 173-6050-1 | Hose reel<br>see page 173-6050-1   |