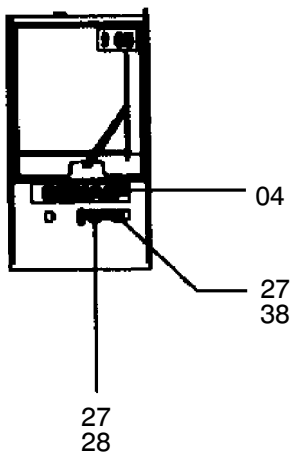
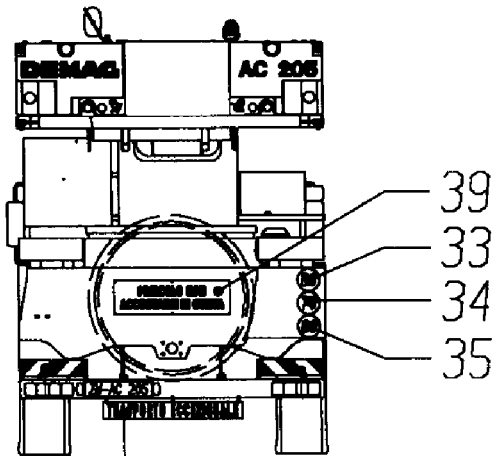
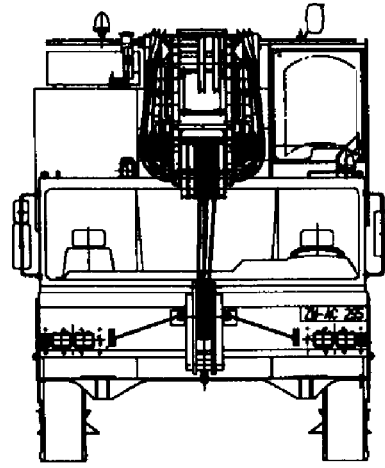
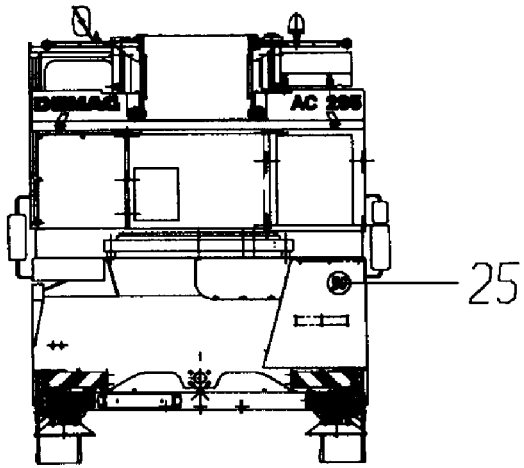


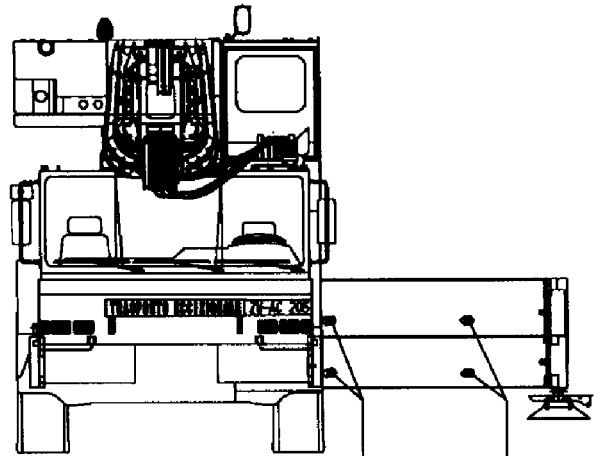
Ansicht A:



175-0070a



24



175-0070a

Seite/Page 2 / 11

Bild-Nr Fig Fig Fig Fig Bild nr	ET-Nr Part-No No. de Piece No. de Pieza No. del Pezzo Detalj nr	Stückzahl Qty Qte Ctd Qta Antal		Gegenstand Description Designation Descripcion Designazione Benaeming
			<b>Standardbeschilderung, deutsch</b>	<b>Standard labelling, german</b>
01	006 532 98	1	UVV-Schild	UVV label
02	529 011 40	2	Schild "Diesel"	Label "Diesel"
03	001 218 98	2	Warnschild	Warning label
04	003 583 98	1	Schild "Demag"	Label "Demag"
05	512 216 40	1	Klebeschild	Decal
06	529 012 40	1	Schild "Differentialsperre"	Label "differential lock"
07	529 013 40	1	Schild "Radmuttern"	Label "wheel nuts"
08	529 014 40	1	Schild "Hundegang"	Label "crab walk"
09	529 015 40	1	Schild "Motor Stop"	Label "engine stop"
10	591 958 40	1	Schild "Ausfahr- zustand AC 205"	Label "extending condition AC 205"
10	588 692 40	1	Schild "Ausfahr- zustand AC 395"	Label "extending condition AC 395"
11	529 017 40	1	Schild "Oberwagen-Dreh- freigabe"	Label "superstructure slewing release"
12	529 018 40	1	Schild "Hydrauliköl"	Label "hydraulic oil"
13	591 960 40	1	Schild "7 bar"	Label "7 bar"
13	529 019 40	1	Schild "10 bar"	Label "10 bar"
13	529 611 40	1	Schild "9 bar"	Label "9 bar"
14	233 962 40	3	Schild "62 km/h"	Label "62 km/h"
14	454 822 40	3	Schild "80 km/h"	Label "80 km/h"
17	604 200 40	4	Klebeband, 2-seitig	Tape, bilateral
18	224 197 40	1	Schild "Wabco"	Label "Wabco"
19	612 105 40	1	Schilder für Manometer- anzeige AC 205	Label "pressure gauge indication AC 205"
20	546 193 40	1	Warnschild "max. zul. Dreh- zahl"	Warning label "max. admissible rpm"
21	612 280 40	1	Schild "Öl-Drehwerksbremse"	Label "oil slew gear brake"
			<b>Standardbeschilderung, englisch</b>	<b>Standard labelling, english</b>
02	529 011 40	2	Schild "Diesel"	Label "Diesel"
03	001 219 98	2	Warnschild	Warning label
04	003 583 98	1	Schild "Demag"	Label "Demag"
05	512 216 40	1	Klebeschild	Decal
09	529 015 40	1	Schild "Motor Stop"	Label "engine stop"
10	591 958 40	1	Schild "Ausfahr- zustand AC 205"	Label "extending condition AC 205"
10	588 692 40	1	Schild "Ausfahr- zustand AC 395"	Label "extending condition AC 395"
11	529 017 40	1	Schild "Oberwagen-Dreh- freigabe"	Label "superstructure slewing release"

**Lackierung u. Beschilderung**  
**Painting/decals/stop pads**

**175-0070a**

Seite/Page 3 / 11

Bild-Nr Fig Fig Fig Fig Bild nr	ET-Nr Part-No No. de Piece No. de Pieza No. del Pezzo Detalj nr	Stückzahl Qty Qte Ctd Qta Antal		Gegenstand Description Designation Descripción Designazione Benaemning
12	529 018 40	1	Schild "Hydrauliköl"	Label "hydraulic oil"
18	529 772 40	1	Schild "Wabco GB"	Label "Wabco"
19	612 105 40	1	Schilder für Manometer- anzeige AC 205	Label "pressure gauge indication AC 205"
20	546 193 40	1	Warnschild "max. zul. Dreh- zahl"	Warning label "max. admissible rpm"
21	612 280 40	1	Schild "Öl-Drehwerksbremse"	Label "oil slew gear brake"
22	529 775 40	1	Warnschild "Drehwerk"	Warning label "slew gear"
23	529 739 40	1	Beschilderungssatz <b>Standardbeschilderung, Italien</b>	Label set <b>Standard labelling, Italy</b>
02	529 011 40	2	Schild "Diesel"	Label "Diesel"
03	001 227 98	2	Warnschild	Warning label
04	003 583 98	1	Schild "Demag"	Label "Demag"
05	512 216 40	1	Klebeschild	Decal
09	529 015 40	1	Schild "Motor Stop"	Label "engine stop"
10	591 958 40	1	Schild "Ausfahr- zustand AC 205"	Label "extending condition AC 205"
10	588 692 40	1	Schild "Ausfahr- zustand AC 395"	Label "extending condition AC 395"
11	529 017 40	1	Schild "Oberwagen-Dreh- freigabe"	Label "superstructure slewing release"
12	529 018 40	1	Schild "Hydrauliköl"	Label "hydraulic oil"
18	529 772 40	1	Schild "Wabco GB"	Label "Wabco"
19	612 105 40	1	Schilder für Manometer- anzeige AC 205	Label "pressure gauge indication AC 205"
20	546 193 40	1	Warnschild "max. zul. Dreh- zahl"	Warning label "max. admissible rpm"
21	612 280 40	1	Schild "Öl-Drehwerksbremse"	Label "oil slew gear brake"
23	586 022 40	1	Beschilderungssatz I	Label set
24	586 023 40	2	Schild "Schwertransport"	Label "heavy transport"
26	604 203 40	2	Reflexfolie, orange	Reflector tape, orange
39	589 625 40	1	Schild "Heck schwenkt aus" <b>Standardbeschilderung, Holland</b>	Label "tail swings out" <b>Standard labelling, Netherlands</b>
01	529 011 40	2	Schild "Diesel"	Label "Diesel"
03	001 226 98	2	Warnschild	Warning label
04	003 583 98	1	Schild "Demag"	Label "Demag"
05	512 216 40	1	Klebeschild	Decal
10	591 958 40	1	Schild "Ausfahr- zustand AC 205"	Label "extending condition AC 205"
10	588 692 40	1	Schild "Ausfahr- zustand AC 395"	Label "extending condition AC 395"

Lackierung u. Beschilderung  
Painting/decals/stop pads

175-0070a

Seite/Page 4 / 11

Bild-Nr Fig Fig Fig Fig Bild nr	ET-Nr Part-No No. de Piece No. de Pieza No. del Pezzo Detalj nr	Stückzahl Qty Qte Ctd Qta Antal		Gegenstand Description Designation Descripcion Designazione Benaemning
11	529 017 40	1	Schild "Oberwagen-Dreh- freigabe"	Label "superstructure slewing release"
12	529 018 40	1	Schild "Hydrauliköl"	Label "hydraulic oil"
13	529 967 40	1	Schild "9 bar"	Label "9 bar"
13	591 961 40	1	Schild "7 bar"	Label "7 bar"
13	586 016 40	1	Schild "10 bar"	Label "10 bar"
14	233 962 40	3	Schild "62 km/h"	Label "62 km/h"
14	454 822 40	3	Schild "80 km/h"	Label "80 km/h"
18	529 772 40	1	Schild "Wabco GB"	Label "Wabco"
19	612 105 40	1	Schilder für Manometer- anzeige AC 205	Label "pressure gauge indication AC 205"
20	546 193 40	1	Warnschild "max. zul. Dreh- zahl"	Warning label "max. admissible rpm"
21	612 280 40	1	Schild "Öl-Drehwerksbremse"	Label "oil slew gear brake"
23	611 975 40	1	Beschilderungssatz NL	Label set
27	576 305 40	4	Blindniet	Blind rivet
28	549 767 40	1	Krankenschild NL	Crane identification plate
29	591 965 40	2	Schild "7,0 m - links"	Label "7,0 m - l.h."
30	591 964 40	2	Schild "4,5 m - links"	Label "4,5 m - l.h."
31	591 968 40	2	Schild "7,0 m - rechts"	Label "7,0 m - r.h."
32	591 966 40	2	Schild "4,5 m - rechts"	Label "4,5 m - r.h."
			<b>Standardbeschilderung, Russland</b>	<b>Standard labelling, Russia</b>
03	003 991 98	2	Warnschild GUS	Warning label
04	003 583 98	1	Schild "Demag"	Label "Demag"
10	591 958 40	1	Schild "Ausfahr- zustand AC 205"	Label "extending condition AC 205"
10	588 692 40	1	Schild "Ausfahr- zustand AC 395"	Label "extending condition AC 395"
11	529 017 40	1	Schild "Oberwagen-Dreh- freigabe"	Label "superstructure slewing release"
12	529 018 40	1	Schild "Hydrauliköl"	Label "hydraulic oil"
13	591 962 40	1	Schild "7 bar GUS"	Label "7 bar"
13	590 006 40	1	Schild "9 bar GUS"	Label "9 bar"
13	590 005 40	1	Schild "10 bar GUS"	Label "10 bar"
14	233 962 40	3	Schild "62 km/h"	Label "62 km/h"
14	454 822 40	3	Schild "80 km/h"	Label "80 km/h"
18	529 772 40	1	Schild "Wabco GB"	Label "Wabco"
19	612 105 40	1	Schilder für Manometer- anzeige AC 205	Label "pressure gauge indication AC 205"
20	546 193 40	1	Warnschild "max. zul. Dreh- zahl"	Warning label "max. admissible rpm"
21	612 280 40	1	Schild "Öl-Drehwerksbremse"	Label "oil slew gear brake"

Lackierung u. Beschilderung  
Painting/decals/stop pads

175-0070a

Seite/Page 5 / 11

Bild-Nr Fig Fig Fig Fig Bild nr	ET-Nr Part-No No. de Piece No. de Pieza No. del Pezzo Detalj nr	Stückzahl Qty Qte Ctd Qta Antal		Gegenstand Description Designation Descripcion Designazione Benaemning
23	590 008 40	1	Beschilderungssatz GUS	Label set
29	591 965 40	2	Schild "7,0 m - links"	Label "7,0 m - l.h."
30	591 964 40	2	Schild "4,5 m - links"	Label "4,5 m - l.h."
31	591 968 40	2	Schild "7,0 m - rechts"	Label "7,0 m - r.h."
32	591 966 40	2	Schild "4,5 m - rechts"	Label "4,5 m - r.h."
			<b>Standardbeschilderung, Frankreich</b>	<b>Standard labelling, France</b>
01	182 806 40	1	UVV-Schild	UVV label
02	529 011 40	2	Schild "Diesel"	Label "Diesel"
03	001 220 98	2	Warnschild	Warning label
05	512 216 40	1	Klebeschild	Decal
07	003 583 98	1	Schild "Demag"	Label "Demag"
09	586 009 40	1	Schild "Motor Stop"	Label "engine stop"
10	591 958 40	1	Schild "Ausfahr- zustand AC 205"	Label "extending condition AC 205"
10	588 692 40	1	Schild "Ausfahr- zustand AC 395"	Label "extending condition AC 395"
11	529 017 40	1	Schild "Oberwagen-Dreh- freigabe"	Label "superstructure slewing release"
12	529 018 40	1	Schild "Hydrauliköl"	Label "hydraulic oil"
13	591 963 40	1	Schild "7 bar"	Label "7 bar"
13	529 018 40	1	Schild "10 bar"	Label "10 bar"
13	586 019 40	1	Schild "9 bar"	Label "9 bar"
14	233 962 40	3	Schild "62 km/h"	Label "62 km/h"
14	454 822 40	3	Schild "80 km/h"	Label "80 km/h"
17	604 200 40	4	Klebeband, 2-seitig	Tape, bilateral
18	529 772 40	1	Schild "Wabco GB"	Label "Wabco"
19	612 105 40	1	Schilder für Manometer- anzeige AC 205	Label "pressure gauge indication AC 205"
20	546 193 40	1	Warnschild "max. zul. Dreh- zahl"	Warning label "max. admissible rpm"
21	612 280 40	1	Schild "Öl-Drehwerksbremse"	Label "oil slew gear brake"
23	529 963 40	1	Beschilderungssatz	Label set
24	529 964 40	2	Schild "Schwertransport"	Label "heavy transport"
33	415 333 40	1	Schild "60 km/h"	Label "60 km/h"
35	454 822 40	1	Schild "80 km/h"	Label "80 km/h"
36	591 956 40	1	Schild "UW-Kabine"	Label "carrier cab"
36	591 957 40	1	Schild "UW-Kabine"	Label "carrier cab"
			<b>Standardbeschilderung, Belgien</b>	<b>Standard labelling, Belgium</b>
01	182 806 40	1	UVV-Schild	UVV label
02	529 011 40	2	Schild "Diesel"	Label "Diesel"

Lackierung u. Beschilderung  
Painting/decals/stop pads

175-0070a

Seite/Page 6 / 11

Bild-Nr Fig Fig Fig Fig Bild nr	ET-Nr Part-No No. de Piece No. de Pieza No. del Pezzo Detalj nr	Stückzahl Qty Qte Ctd Qta Antal		Gegenstand Description Designation Descripcion Designazione Benaemning
03	001 220 98	2	Warnschild	Warning label
04	003 583 98	1	Schild "Demag"	Label "Demag"
05	512 216 40	1	Klebeschild	Decal
09	586 009 40	1	Schild "Motor Stop"	Label "engine stop"
10	591 958 40	1	Schild "Ausfahr- zustand AC 205"	Label "extending condition AC 205"
10	588 692 40	1	Schild "Ausfahr- zustand AC 395"	Label "extending condition AC 395"
11	529 017 40	1	Schild "Oberwagen-Dreh- freigabe"	Label "superstructure slewing release"
12	529 018 40	1	Schild "Hydrauliköl"	Label "hydraulic oil"
13	529 967 40	1	Schild "9 bar"	Label "9 bar"
13	591 961 40	1	Schild "7 bar"	Label "7 bar"
13	586 016 40	1	Schild "10 bar"	Label "10 bar"
14	233 962 40	3	Schild "62 km/h"	Label "62 km/h"
14	454 822 40	3	Schild "80 km/h"	Label "80 km/h"
17	604 200 40	4	Klebeband, 2-seitig	Tape, bilateral
18	529 772 40	1	Schild "Wabco GB"	Label "Wabco"
19	612 105 40	1	Schilder für Manometer- anzeige AC 205	Label "pressure gauge indication AC 205"
20	546 193 40	1	Warnschild "max. zul. Dreh- zahl"	Warning label "max. admissible rpm"
21	612 280 40	1	Schild "Öl-Drehwerksbremse"	Label "oil slew gear brake"
23	529 963 40	1	Beschilderungssatz	Label set
24	529 964 40	2	Schild "Schwertransport"	Label "heavy transport"
33	415 333 40	1	Schild "60 km/h"	Label "60 km/h"
34	254 729 40	1	Schild "70 km/h"	Label "70 km/h"
35	454 822 40	1	Schild "80 km/h"	Label "80 km/h"
36	587 559 40	1	Schild "UW-Kabine"	Label "carrier cab"
			<b>Standardbeschilderung, Dänemark</b>	<b>Standard labelling, Danmark</b>
02	529 011 40	2	Schild "Diesel"	Label "Diesel"
03	001 224 98	2	Warnschild	Warning label
04	003 583 98	1	Schild "Demag"	Label "Demag"
05	512 216 40	1	Klebeschild	Decal
09	529 015 40	1	Schild "Motor Stop"	Label "engine stop"
10	591 959 40	1	Schild "Ausfahr- zustand J AC 205"	Label "extending condition J AC 205"
10	612 011 40	1	Schild "Ausfahr- zustand J AC 395"	Label "extending condition J AC 395"
11	529 017 40	1	Schild "Oberwagen-Dreh- freigabe"	Label "superstructure slewing release"
12	529 018 40	1	Schild "Hydrauliköl"	Label "hydraulic oil"

Lackierung u. Beschilderung  
Painting/decals/stop pads

175-0070a

Seite/Page 7 / 11

Bild-Nr Fig Fig Fig Fig Bild nr	ET-Nr Part-No No. de Piece No. de Pieza No. del Pezzo Detalj nr	Stückzahl Qty Qte Ctd Qta Antal		Gegenstand Description Designation Descripcion Designazione Benaemning
13	591 960 40	1	Schild "7 bar"	Label "7 bar"
13	529 019 40	1	Schild "10 bar"	Label "10 bar"
13	529 611 40	1	Schild "9 bar"	Label "9 bar"
14	233 962 40	3	Schild "62 km/h"	Label "62 km/h"
14	454 822 40	3	Schild "80 km/h"	Label "80 km/h"
18	529 772 40	1	Schild "Wabco GB"	Label "Wabco"
19	612 105 40	1	Schilder für Manometer- anzeige AC 205	Label "pressure gauge indication AC 205"
20	546 193 40	1	Warnschild "max. zul. Dreh- zahl"	Warning label "max. admissible rpm"
21	612 280 40	1	Schild "Öl-Drehwerksbremse"	Label "oil slew gear brake"
23	587 523 40	1	Beschilderungssatz <b>Standardbeschilderung, Spanien</b>	Label set <b>Standard labelling, Spain</b>
02	529 011 40	2	Schild "Diesel"	Label "Diesel"
03	001 221 98	2	Warnschild	Warning label
04	003 583 98	1	Schild "Demag"	Label "Demag"
05	512 216 40	1	Klebeschild	Decal
10	591 958 40	1	Schild "Ausfahr- zustand AC 205"	Label "extending condition AC 205"
10	588 692 40	1	Schild "Ausfahr- zustand AC 395"	Label "extending condition AC 395"
11	529 017 40	1	Schild "Oberwagen-Dreh- freigabe"	Label "superstructure slewing release"
12	529 018 40	1	Schild "Hydrauliköl"	Label "hydraulic oil"
13	591 960 40	1	Schild "7 bar"	Label "7 bar"
13	529 019 40	1	Schild "10 bar"	Label "10 bar"
13	529 611 40	1	Schild "9 bar"	Label "9 bar"
14	233 962 40	3	Schild "62 km/h"	Label "62 km/h"
14	454 822 40	3	Schild "80 km/h"	Label "80 km/h"
18	529 772 40	1	Schild "Wabco GB"	Label "Wabco"
19	612 105 40	1	Schilder für Manometer- anzeige AC 205	Label "pressure gauge indication AC 205"
20	546 193 40	1	Warnschild "max. zul. Dreh- zahl"	Warning label "max. admissible rpm"
21	612 280 40	1	Schild "Öl-Drehwerksbremse"	Label "oil slew gear brake"
23	587 529 40	1	Beschilderungssatz <b>Standardbeschilderung, Japan</b>	Label set <b>Standard labelling, Japan</b>
02	529 011 40	2	Schild "Diesel"	Label "Diesel"
03	001 219 98	2	Warnschild	Warning label
04	003 583 98	1	Schild "Demag"	Label "Demag"
05	512 216 40	1	Klebeschild	Decal

Lackierung u. Beschilderung  
Painting/decals/stop pads

175-0070a

Seite/Page 8 / 11

Bild-Nr Fig Fig Fig Fig Bild nr	ET-Nr Part-No No. de Piece No. de Pieza No. del Pezzo Detalj nr	Stückzahl Qty Qte Ctd Qta Antal		Gegenstand Description Designation Descripcion Designazione Benaemning
10	591 958 40	1	Schild "Ausfahr- zustand AC 205"	Label "extending condition AC 205"
10	588 692 40	1	Schild "Ausfahr- zustand AC 395"	Label "extending condition AC 395"
11	529 017 40	1	Schild "Oberwagen-Dreh- freigabe"	Label "superstructure slewing release"
12	529 018 40	1	Schild "Hydrauliköl"	Label "hydraulic oil"
13	591 960 40	1	Schild "7 bar"	Label "7 bar"
13	529 019 40	1	Schild "10 bar"	Label "10 bar"
13	529 611 40	1	Schild "9 bar"	Label "9 bar"
14	233 962 40	3	Schild "62 km/h"	Label "62 km/h"
18	529 772 40	1	Schild "Wabco GB"	Label "Wabco"
19	612 105 40	1	Schilder für Manometer- anzeige AC 205	Label "pressure gauge indication AC 205"
20	546 193 40	1	Warnschild "max. zul. Dreh- zahl"	Warning label "max. admissible rpm"
21	612 280 40	1	Schild "Öl-Drehwerksbremse"	Label "oil slew gear brake"
22	529 775 40	1	Warnschild "Drehwerk"	Warning label "slew gear"
23	529 739 40	1	Beschilderungssatz <b>Standardbeschilderung, Norwegen</b>	Label set <b>Standard labelling, Norway</b>
02	529 011 40	2	Schild "Diesel"	Label "Diesel"
03	001 228 98	2	Warnschild	Warning label
04	003 583 98	1	Schild "Demag"	Label "Demag"
05	512 216 40	1	Klebeschild	Decal
10	591 958 40	1	Schild "Ausfahr- zustand J AC 205"	Label "extending condition J AC 205"
10	588 692 40	1	Schild "Ausfahr- zustand J AC 395"	Label "extending condition J AC 395"
11	529 017 40	1	Schild "Oberwagen-Dreh- freigabe"	Label "superstructure slewing release"
12	529 018 40	1	Schild "Hydrauliköl"	Label "hydraulic oil"
13	591 960 40	1	Schild "7 bar"	Label "7 bar"
13	529 019 40	1	Schild "10 bar"	Label "10 bar"
13	529 611 40	1	Schild "9 bar"	Label "9 bar"
14	233 962 40	3	Schild "62 km/h"	Label "62 km/h"
14	454 822 40	3	Schild "80 km/h"	Label "80 km/h"
18	529 772 40	1	Schild "Wabco GB"	Label "Wabco"
19	612 105 40	1	Schilder für Manometer- anzeige AC 205	Label "pressure gauge indication AC 205"
20	546 193 40	1	Warnschild "max. zul. Dreh- zahl"	Warning label "max. admissible rpm"
21	612 280 40	1	Schild "Öl-Drehwerksbremse"	Label "oil slew gear brake"

**Lackierung u. Beschilderung**  
**Painting/decals/stop pads**

**175-0070a**

Seite/Page 9 / 11

Bild-Nr Fig Fig Fig Fig Bild nr	ET-Nr Part-No No. de Piece No. de Pieza No. del Pezzo Detalj nr	Stückzahl Qty Qte Ctd Qta Antal		Gegenstand Description Designation Descripcion Designazione Benaemning
23	611 492 40	1	Beschilderungssatz <b>Standardbeschilderung, Schweden</b>	Label set <b>Standard labelling, Sweden</b>
02	529 011 40	2	Schild "Diesel"	Label "Diesel"
03	001 222 98	2	Warnschild	Warning label
04	003 583 98	1	Schild "Demag"	Label "Demag"
05	512 216 40	1	Klebeschild	Decal
10	591 958 40	1	Schild "Ausfahr- zustand J AC 205"	Label "extending condition J AC 205"
10	588 692 40	1	Schild "Ausfahr- zustand J AC 395"	Label "extending condition J AC 395"
11	529 017 40	1	Schild "Oberwagen-Dreh- freigabe"	Label "superstructure slewing release"
12	529 018 40	1	Schild "Hydrauliköl"	Label "hydraulic oil"
13	591 960 40	1	Schild "7 bar"	Label "7 bar"
13	529 019 40	1	Schild "10 bar"	Label "10 bar"
13	529 611 40	1	Schild "9 bar"	Label "9 bar"
14	233 962 40	3	Schild "62 km/h"	Label "62 km/h"
14	454 822 40	3	Schild "80 km/h"	Label "80 km/h"
18	529 772 40	1	Schild "Wabco GB"	Label "Wabco"
19	612 105 40	1	Schilder für Manometer- anzeige AC 205	Label "pressure gauge indication AC 205"
20	546 193 40	1	Warnschild "max. zul. Dreh- zahl"	Warning label "max. admissible rpm"
21	612 280 40	1	Schild "Öl-Drehwerksbremse"	Label "oil slew gear brake"
23	588 683 40	1	Beschilderungssatz	Label set
25	589 112 40	1	Schild "50 km/h, gelb" <b>Standardbeschilderung, Bulgarien</b>	Label "50 km/h, yellow" <b>Standard labelling, Bulgaria</b>
03	502 481 98	2	Warnschild	Warning label
04	003 583 98	1	Schild "Demag"	Label "Demag"
10	591 958 40	1	Schild "Ausfahr- zustand J AC 205"	Label "extending condition J AC 205"
10	588 692 40	1	Schild "Ausfahr- zustand J AC 395"	Label "extending condition J AC 395"
11	529 017 40	1	Schild "Oberwagen-Dreh- freigabe"	Label "superstructure slewing release"
12	529 018 40	1	Schild "Hydrauliköl"	Label "hydraulic oil"
13	591 960 40	1	Schild "7 bar"	Label "7 bar"
13	529 019 40	1	Schild "10 bar"	Label "10 bar"
13	529 611 40	1	Schild "9 bar"	Label "9 bar"
14	233 962 40	3	Schild "62 km/h"	Label "62 km/h"
14	454 822 40	3	Schild "80 km/h"	Label "80 km/h"

**Lackierung u. Beschilderung**  
**Painting/decals/stop pads**

**175-0070a**

Seite/Page 10 11

Bild-Nr Fig Fig Fig Fig Bild nr	ET-Nr Part-No No. de Piece No. de Pieza No. del Pezzo Detalj nr	Stückzahl Qty Qte Ctd Qta Antal		Gegenstand Description Designation Descripcion Designazione Benaemning
18	529 772 40	1	Schild "Wabco GB"	Label "Wabco"
19	612 105 40	1	Schilder für Manometer- anzeige AC 205	Label "pressure gauge indication AC 205"
20	546 193 40	1	Warnschild "max. zul. Dreh- zahl"	Warning label "max. admissible rpm"
21	612 280 40	1	Schild "Öl-Drehwerksbremse"	Label "oil slew gear brake"
23	589 113 40	1	Beschilderungssatz	Label set
24	589 114 40	2	Schild "Schwertransport"	Label "heavy transport"
900	341 273 99	3	Karabinerhaken <b>Standardbeschilderung, Tschechisch (CS)</b>	Trigger snap <b>Standard labelling, Czech</b>
03	003 985 98	2	Warnschild	Warning label
04	003 583 98	1	Schild "Demag"	Label "Demag"
10	591 958 40	1	Schild "Ausfahr- zustand AC 205"	Label "extending condition AC 205"
10	300 509 12	1	Schild "Ausfahr- zustand AC 395"	Label "extending condition AC 395"
11	529 017 40	1	Schild "Oberwagen-Dreh- freigabe"	Label "superstructure slewing release"
12	669 499 40	1	Schild "Hydrauliköl"	Label "hydraulic oil"
13	591 960 40	1	Schild "7 bar"	Label "7 bar"
13	529 611 40	1	Schild "9 bar"	Label "9 bar"
13	529 019 40	1	Schild "10 bar"	Label "10 bar"
14	454 822 40	3	Schild "80 km/h"	Label "80 km/h"
18	224 197 40	1	Schild "Wabco"	Label "Wabco"
19	612 105 40	1	Schilder für Manometer- anzeige AC 205	Label "pressure gauge indication AC 205"
20	546 193 40	1	Warnschild "max. zul. Dreh- zahl"	Warning label "max. admissible rpm"
21	612 280 40	1	Schild "Öl-Drehwerksbremse"	Label "oil slew gear brake"
22	588 299 40	1	Beschilderungssatz "CS"	Decal kit "CS"
-	615 521 40	1	Warnschild "HAV-Bolzen"	Warning label "MBE-pin's"

**Lackierung u. Beschilderung**  
**Painting/decals/stop pads**

**175-0070a**

Seite/Page 11 /11