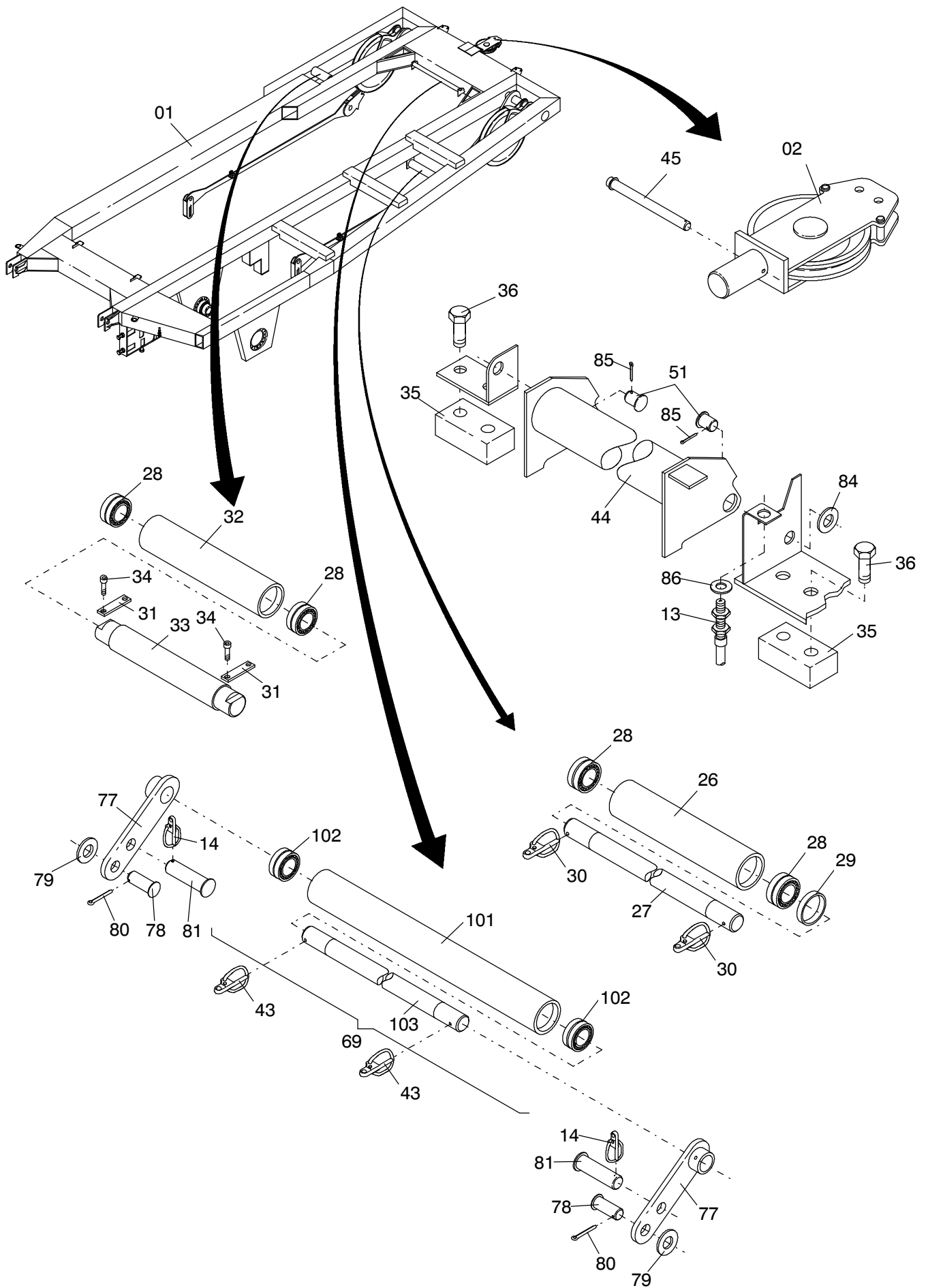
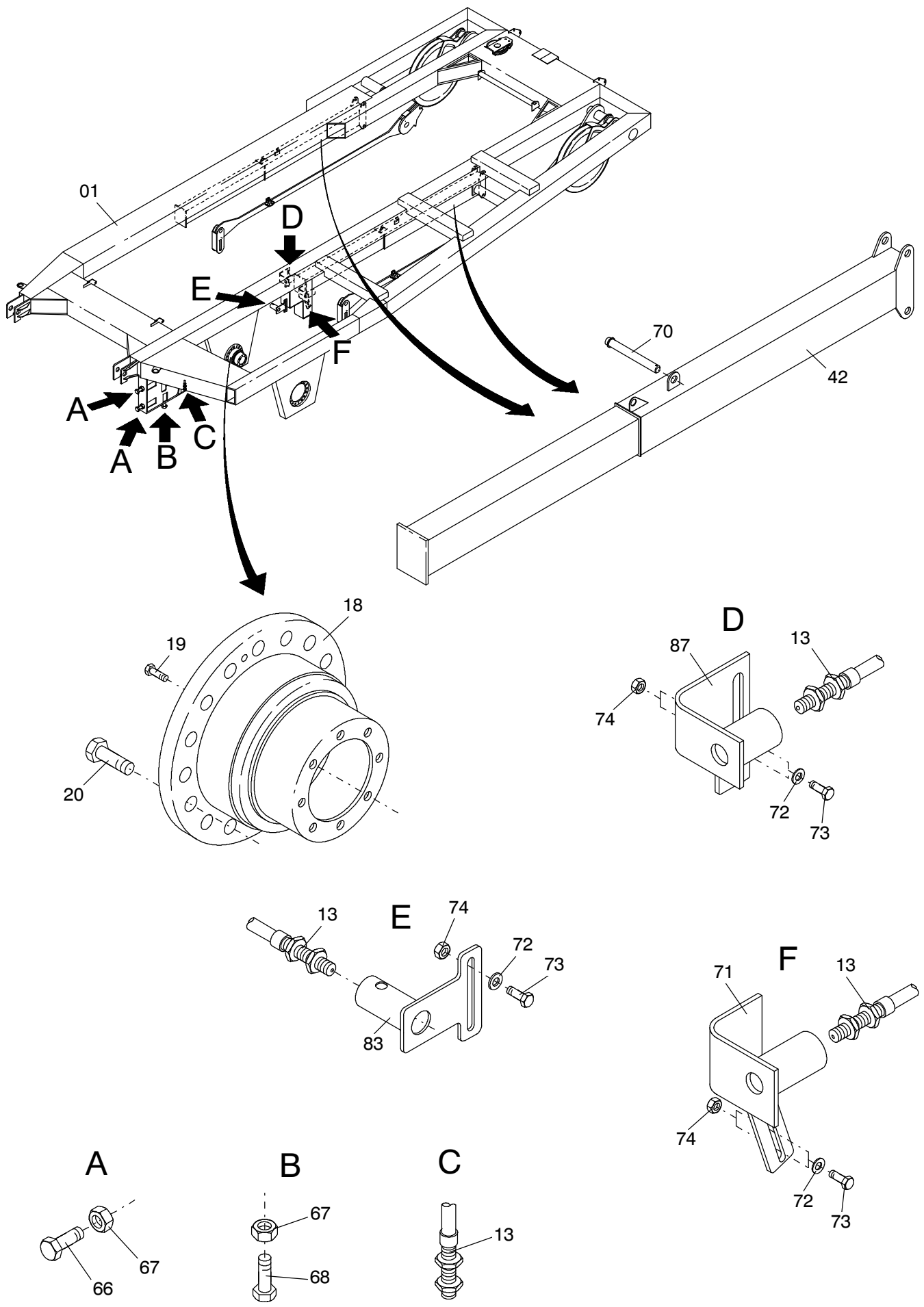


187-6335



187-6335

Seite/Page 3 / 7



187-6335

| Bild-Nr Fig Fig Fig Fig Bild nr | ET-Nr Part-No No. de Piece No. de Pieza No. del Pezzo Detalj nr | Stückzahl Qty Qte Ctd Qta Antal | | Gegenstand Description Designation Descripcion Designazione Benaemning |
|--|--|--|---|---|
| 01 | 111 002 12 | 1 | Abspannbock SK | Bracing support, weldment |
| 02 | - | 1 | Rollenhalter, kpl. s. EL-Blatt 187-6337 | Retainer for roller assy. see page 187-6337 |
| 04 | 113 992 12 | 1 | Sperrhebel | Interlock |
| 05 | 113 993 12 | 1 | Welle | Shaft |
| 06 | 000 798 12 | 46 | Tellerfeder | Cup spring |
| 07 | 113 994 12 | 1 | Gabelkopf | Fork end |
| 08 | 113 995 12 | 1 | Schutzrohr | Cover tube |
| 09 | 113 996 12 | 1 | Schutzrohr | Cover tube |
| 10 | - | 1 | Zylinder s. EL-Blatt 90-1089 | Cylinder see page 90-1089 |
| 11 | 114 530 12 | 1 | Bolzen | Pin |
| 12 | 885 306 40 | 1 | Bolzen | Pin |
| 13 | 515 888 40 | 5 | Näherungsschalter | Approximate switch |
| 14 | 511 617 98 | 3 | Klappstecker | Fore lock |
| 16 | 114 353 12 | 1 | Schwinge, rechts einschl. Bild-Nr. 91-96 | Rocker arm, r.h. incl. fig-nos: 91-96 |
| 17 | 114 356 12 | 1 | Schwinge, links einschl. Bild-Nr. 92-99 | Rocker arm, l.h. incl. fig-nos: 92-99 |
| 18 | 114 877 12 | 1 | Flansch | Flange |
| 19 | 319 255 99 | 8 | Schraube | Bolt |
| 20 | 307 844 99 | 16 | Schraube | Bolt |
| 21 | 307 843 99 | 16 | Schraube | Bolt |
| 22 | 345 547 99 | 1 | Spannstift | Dowel pin |
| 23 | 114 531 12 | 1 | Montagehilfe | Mounting device |
| 24 | 125 028 99 | 2 | Mutter | Nut |
| 25 | 114 532 12 | 1 | Gewindestange | Threaded rod |
| 26 | 114 533 12 | 1 | Seilleitwalze | Rope-guide roller |
| 27 | 114 534 12 | 1 | Achse | Axle |
| 28 | 368 248 99 | 4 | Lager | Bearing |
| 29 | 565 413 40 | 2 | Ring | Ring |
| 30 | 512 656 40 | 2 | Klappstecker | Fore lock |
| 31 | 468 008 40 | 2 | Achshalter | Axle stirrup |
| 32 | 114 535 12 | 1 | Seilleitwalze | Rope-guide roller |
| 33 | 114 536 12 | 1 | Achse | Axle |
| 34 | 318 603 99 | 4 | Schraube | Screw |
| 35 | 564 445 40 | 2 | Gummipuffer | Rubber block support |
| 36 | 307 774 99 | 4 | Schraube | Bolt |
| 37 | 114 539 12 | 2 | Achse | Axle |
| 38 | 335 117 99 | 2 | Bolzen | Pin |
| 39 | 342 102 99 | 5 | Splint | Cotter pin |

**Abspannbock
Bracing Support**

187-6335

Seite/Page 5 / 7

| Bild-Nr Fig Fig Fig Fig Bild nr | ET-Nr Part-No No. de Piece No. de Pieza No. del Pezzo Detalj nr | Stückzahl Qty Qte Ctd Qta Antal | | Gegenstand Description Designation Descripcion Designazione Benaemning |
|--|--|--|--|---|
| 40 | 340 610 99 | 5 | Scheibe | Washer |
| 41 | 114 543 12 | 1 | Bolzen | Pin |
| 42 | 114 544 12 | 2 | Stütze | Brace |
| 43 | 001 003 12 | 2 | Klappstecker | Fore lock |
| 44 | 116 751 12 | 1 | Abschaltbügel | Yoke |
| 45 | 595 152 40 | 1 | Kupplungsbolzen | Pin |
| 46 | 000 826 12 | 2 | Buchse | Bushing |
| 47 | 114 825 12 | 1 | Seilfestpunkt | Fixed rope point |
| 48 | 114 826 12 | 2 | Abspannstange | Bracing rod |
| 49 | 125 025 99 | 4 | Mutter | Nut |
| 50 | 319 493 99 | 2 | Schraube | Bolt |
| 51 | 116 761 12 | 2 | Bolzen | Pin |
| 52 | 114 833 12 | 4 | Bolzen | Pin |
| 53 | 114 835 12 | 1 | Rohr | Pipe |
| 54 | 114 836 12 | 2 | Rohr | Pipe |
| 55 | 114 837 12 | 1 | Rohr | Pipe |
| 56 | 340 495 99 | 4 | Scheibe | Washer |
| 57 | 000 457 12 | 4 | Klappstecker | Fore lock |
| 60 | 114 706 12 | 2 | Lasche | Shackle |
| 61 | 114 709 12 | 1 | Stange | Rod |
| 62 | 114 714 12 | 1 | Stange | Rod |
| 63 | 114 841 12 | 1 | Rohr | Pipe |
| 64 | 504 283 98 | 4 | Schäkel | Clevis |
| 65 | 114 842 12 | 2 | Lasche | Shackle |
| 66 | 502 972 98 | 4 | Schraube | Bolt |
| 67 | 125 031 99 | 6 | Mutter | Nut |
| 68 | 307 209 99 | 2 | Schraube | Bolt |
| 69 | 116 471 12 | 1 | Tragrolle einschl. Bild-Nr. 101-103 | Top roller incl. fig-nos: 101-103 |
| 70 | 490 110 40 | 4 | Kupplungsbolzen | Pin |
| 71 | 114 748 12 | 1 | Halter | Retainer |
| 72 | 340 605 99 | 10 | Scheibe | Washer |
| 73 | 125 198 99 | 6 | Schraube | Bolt |
| 74 | 125 022 99 | 6 | Mutter | Nut |
| 75 | 500 333 98 | 12 | Schraube | Bolt |
| 77 | 113 386 12 | 2 | Lasche | Shackle |
| 78 | 504 963 98 | 2 | Bolzen | Pin |
| 79 | 340 607 99 | 2 | Scheibe | Washer |
| 80 | 342 082 99 | 2 | Splint | Cotter pin |
| 81 | 510 970 98 | 2 | Bolzen | Pin |
| 83 | 115 288 12 | 1 | Halter | Retainer |

**Abspannbock
Bracing Support**

187-6335

Seite/Page 6 / 7

| Bild-Nr Fig Fig Fig Fig Bild nr | ET-Nr Part-No No. de Piece No. de Pieza No. del Pezzo Detalj nr | Stückzahl Qty Qte Ctd Qta Antal | | Gegenstand Description Designation Descripcion Designazione Benaemning |
|--|--|--|---------------------|---|
| 84 | 340 472 99 | 2 | Scheibe | Washer |
| 85 | 342 121 99 | 2 | Splint | Cotter pin |
| 86 | 340 582 99 | 2 | Scheibe | Washer |
| 87 | 115 284 12 | 1 | Initiatorhalter | Retainer |
| 91 | 114 355 12 | 1 | Schwinge SK, rechts | Rocker arm weldment, r.h. |
| 92 | 459 748 40 | 1 | Seilrolle | Sheave |
| 93 | 639 563 40 | 1 | Sicherungsschalter | Lock washer |
| 94 | 639 562 40 | 1 | Achse | Axle |
| 95 | 307 464 99 | 4 | Schraube | Bolt |
| 96 | 350 561 99 | 2 | Schmiernippel | Grease nipple |
| 99 | 114 357 12 | 1 | Schwinge SK, links | Rocker arm, l.h. |
| 101 | 484 913 40 | 1 | Rohr | Pipe |
| 102 | 504 770 98 | 2 | Lager | Bearing |
| 103 | 119 696 12 | 1 | Achse | Axle |