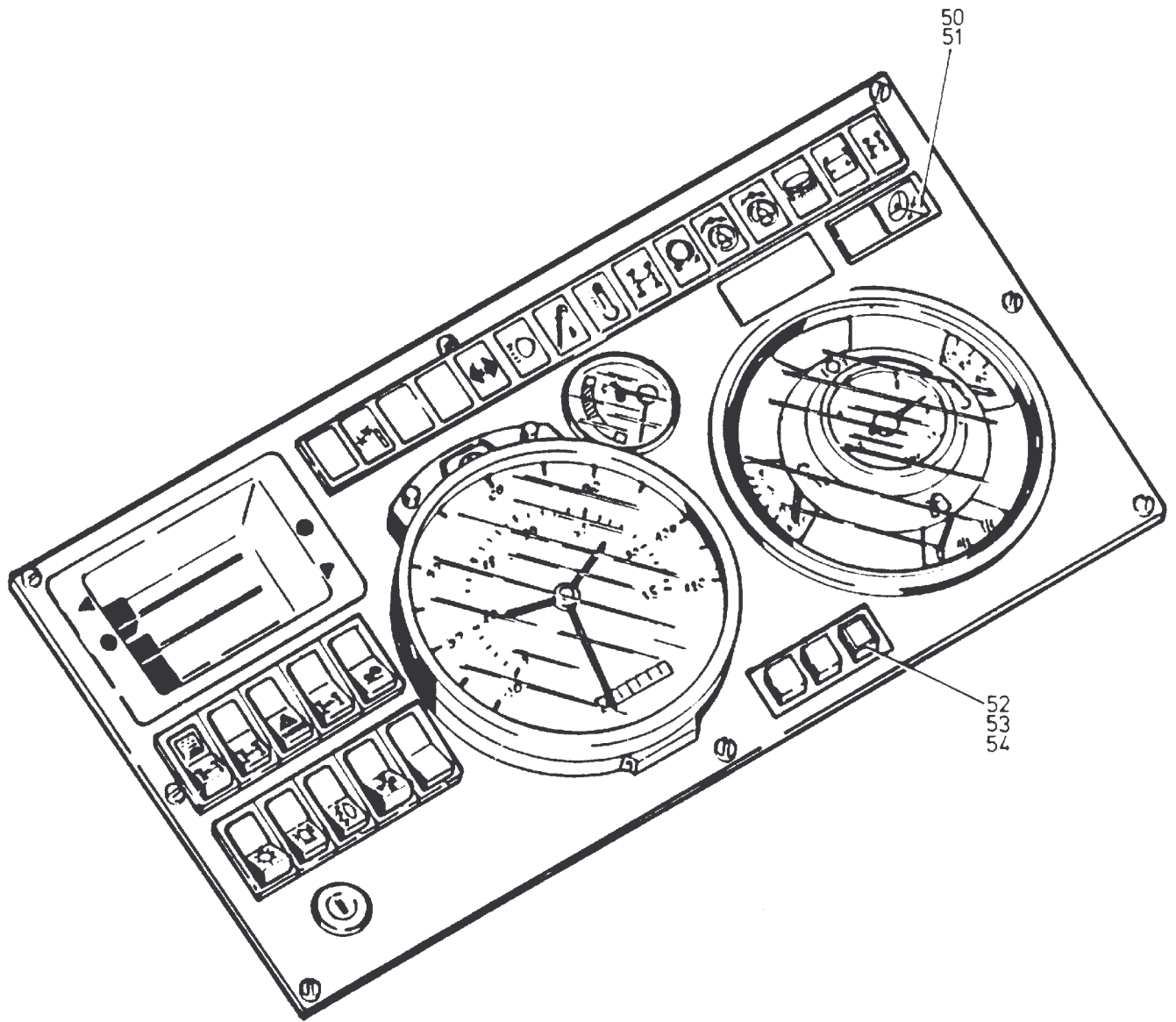


**202-2110b1**

Seite/Page 1 / 4



**202-2110b1**

Seite/Page 2 / 4

| <b>Bild-Nr</b><br>Fig<br>Fig<br>Fig<br>Fig<br>Bild nr | <b>ET-Nr</b><br>Part-No<br>No. de Piece<br>No. de Pieza<br>No. del Pezzo<br>Detalj nr | <b>Stückzahl</b><br>Qty<br>Qte<br>Ctd<br>Qta<br>Antal |   | <b>Gegenstand</b><br>Description<br>Designation<br>Descripcion<br>Designazione<br>Benaemning |
|---|---|---|---|--|
| 01  | 388 418 40  | 1   | Armaturenblech                                    | Instrument board panel   |
| 02  | 363 406 40  | 1   | Tastenkippschalter (S 303)                        | Toggle switch  |
| 03  | 363 407 40  | 1   | Tastenkippschalter (S 306)<br>Rundumleuchte       | Toggle switch<br>Omnidirectional light   |
| 04  | 363 407 40  | 1   | Tastenkippschalter (S 304)<br>Nebelschlußleuchte  | Toggle switch<br>Fog tail light  |
| 06  | 363 414 40  | 1   | Tastenkippschalter (S 305)                        | Toggle switch  |
| 07  | 363 408 40  | 1   | Tastenkippschalter (S 312)<br>Gebläse             | Toggle switch<br>Blower  |
| 08  | 363 409 40  | 1   | Tastenkippschalter (S 313)<br>Differential-Sperre | Toggle switch<br>Differential lock   |
| 09  | 363 409 40  | 1   | Tastenkippschalter (S 314)<br>Differential-Sperre | Toggle switch<br>Differential lock   |
| 10  | 363 409 40  | 1   | Tastenkippschalter (S 351)                        | Toggle switch  |
| 11  | 363 409 40  | 1   | Tastenkippschalter (S 352)                        | Toggle switch  |
| 12  | 363 416 40  | 1   | Tastenkippschalter (S 308)<br>Warnblinklicht      | Toggle switch<br>Traffic light   |
| 13  | 208 933 40  | 1   | Zündstartschalter                                 | Ignition switch  |
| 14  | 264 165 40  | 1   | Kombi-Instrument                                  | Combined indicator   |
| 16  | 244 690 40  | 1   | Bedienungsschalter                                | Operating switch   |
| 17  | 263 324 40  | 3   | Halteklammer                                      | Clamp  |
| 18  | 263 322 40  | 4   | Spreizscheibe                                     | Shim   |
| 19  | 770 722 00  | 1   | Temperaturanzeige<br>Wandlertemperatur            | Temperature indicator<br>Torque-oil  |
| 20  | 363 410 40  | 2   | Blende  | Dummy plate  |
| 21  | 270 955 40  | 16  | Meldeleuchte                                      | Signal light   |
| 22  | 270 954 40  | 1   | Druckhaube, rot                                   | Push hood, red   |
| 23  | 270 957 40  | 3   | Druckhaube, gelb                                  | Push hood, yellow  |
| 24  | 369 196 40  | 1   | Druckhaube, blau                                  | Push hood, blue  |
| 25  | 270 952 40  | 3   | Blindplatte                                       | Blank plate  |
| 26  | 363 426 40  | 1   | Symbol  | Symbol   |
| 27  | 363 425 40  | 1   | Symbol  | Symbol   |
| 28  | 363 417 40  | 1   | Symbol  | Symbol   |
| 29  | 363 424 40  | 1   | Symbol  | Symbol   |
| 30  | 363 423 40  | 1   | Symbol  | Symbol   |
| 31  | 363 421 40  | 1   | Symbol  | Symbol   |
| 32  | 363 420 40  | 1   | Symbol  | Symbol   |
| 33  | 363 419 40  | 1   | Symbol  | Symbol   |
| 34  | 363 418 40  | 1   | Symbol  | Symbol   |
| 35  | 363 422 40  | 1   | Symbol  | Symbol   |
| 36  | 270 951 40  | 16  | Glühlampe   | Bulb   |

**Armaturenbrett  
Instrument Panel**

**202-2110b1**

Seite/Page 3 / 4

| Bild-Nr<br>Fig<br>Fig<br>Fig<br>Fig<br>Bild nr | ET-Nr<br>Part-No<br>No. de Piece<br>No. de Pieza<br>No. del Pezzo<br>Detalj nr | Stückzahl<br>Qty<br>Qte<br>Ctd<br>Qta<br>Antal |   | Gegenstand<br>Description<br>Designation<br>Descripcion<br>Designazione<br>Benaemning |
|--|--|--|---|---|
| 37   | 300 886 40   | 1  | Meldeleuchte                                | Signal light  |
| 38   | 255 964 40   | 1  | Druckhaube                                  | Push hood   |
| 39   | 256 364 40   | 1  | Niederhalter, rot                           | Hold down, red  |
| 40   | 500 387 40   | 2  | Glühlampe                                   | Bulb  |
| -  | 369 197 40   | 1  | Symbolfolie                                 | Symbolic foil   |
|  |  |  | <b>Nur bei Ausführung mit<br/>Hundegang</b> | <b>For equipment with crab walk<br/>only</b>  |
| 50   | 363 409 40   | 1  | Tastenkippshalter                           | Toggle switch   |
| 51   | 370 101 40   | 1  | Symbol                                      | Symbol  |
| 52   | 356 254 40   | 2  | Meldeleuchte                                | Signal light  |
| 53   | 356 257 40   | 2  | Druckhaube                                  | Push hood   |
| 54   | 270 951 40   | 2  | Glühlampe                                   | Bulb  |
| 60   | 416 061 40   | 1  | Tachograph                                  | Tachograph  |
| 61   | 416 239 40   | 1  | Tachowelle                                  | Flexible shaft  |
| 62   | 432 954 40   | 1  | Ausgleichgetriebe                           | Drive assy.   |
| 63   | 337 260 40   | 1  | Verbindungsmutter                           | Coupler nut   |
| 64   | 337 261 40   | 1  | Renkanschluß                                | Connection  |
| 70   | 172 519 40   | 1  | Betriebsstundenzähler                       | Hour meter  |
| 71   | 296 642 40   | 1  | Drehzahlmesser                              | Revolution counter  |
| 72   | 416 076 40   | 1  | Gehäuse                                     | Housing   |