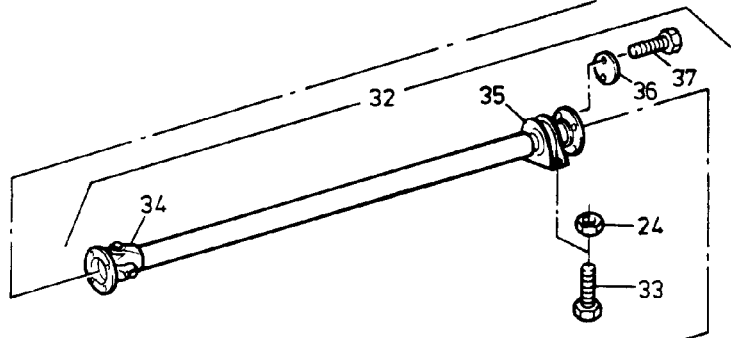
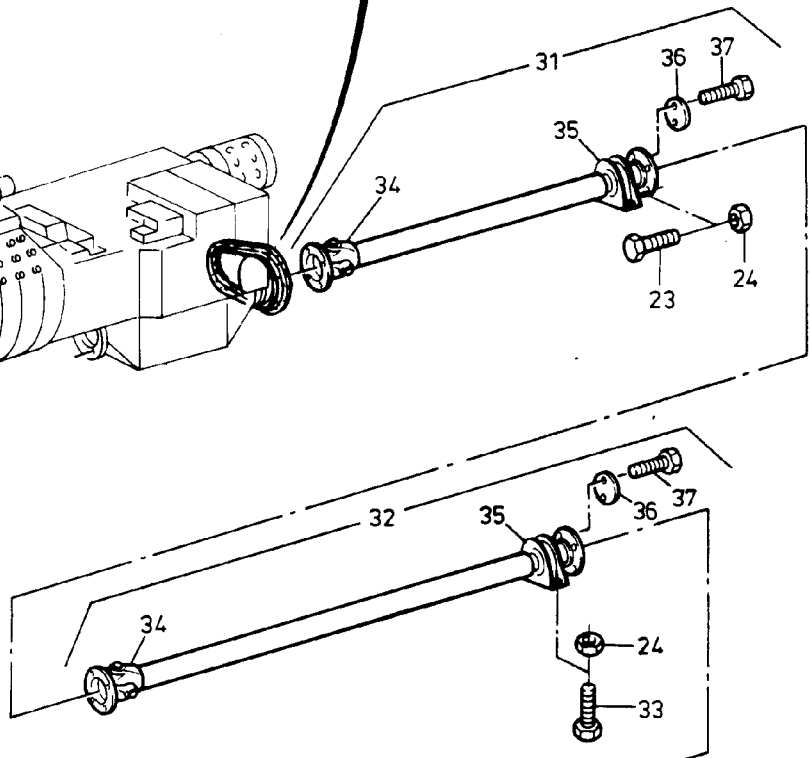
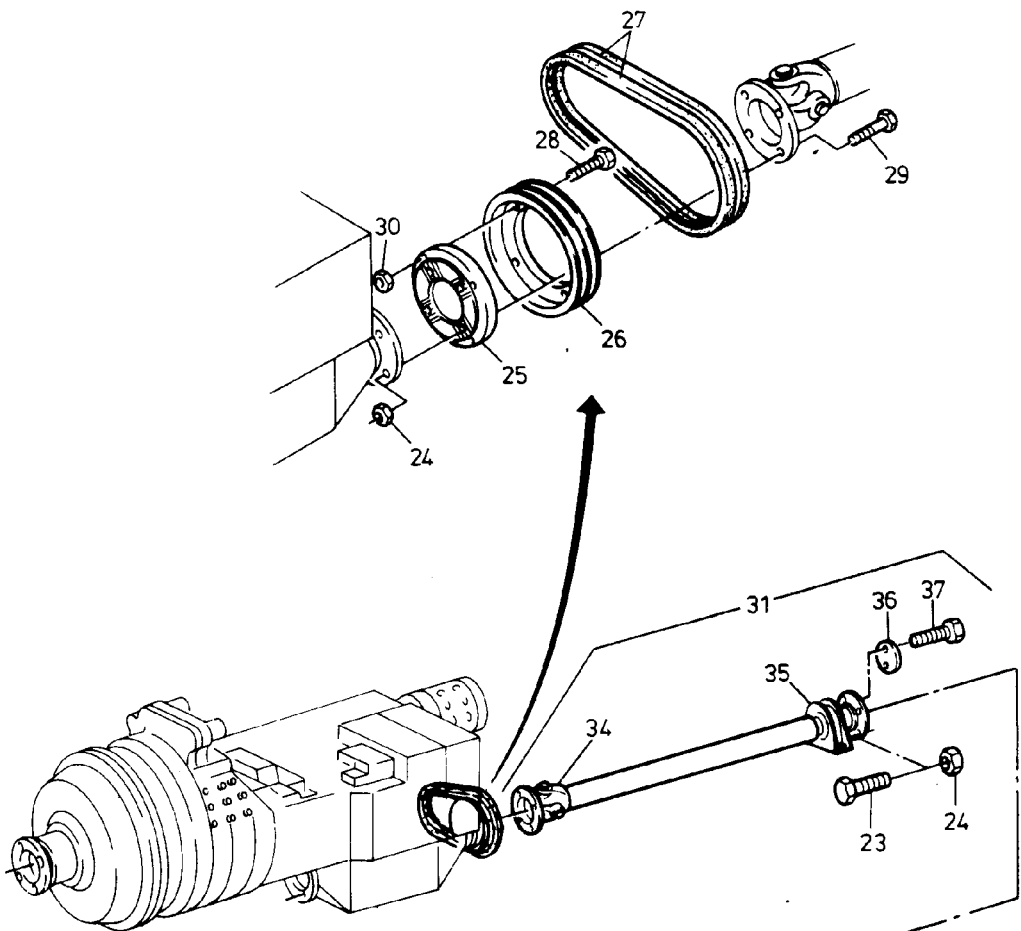
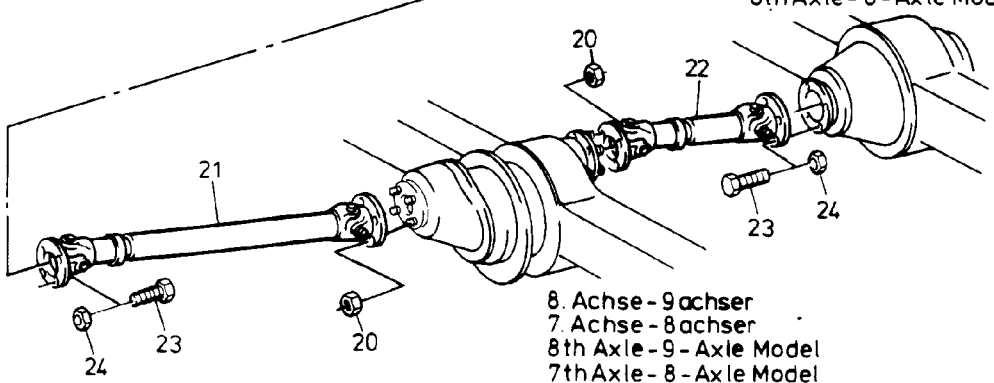


4. Achse - 9achser
 3. Achse - 8achser
 4th Axle - 9 - Axle Model
 3th Axle - 8 - Axle Model

223-3650a

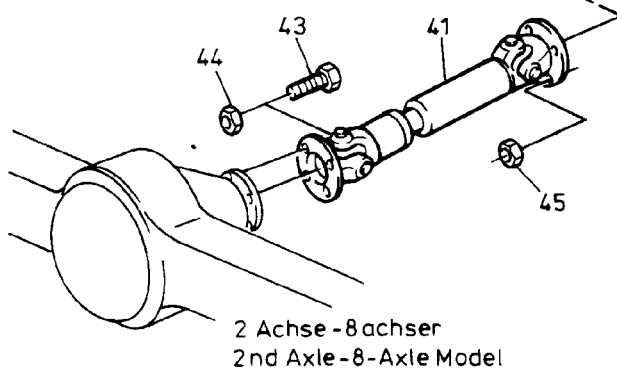
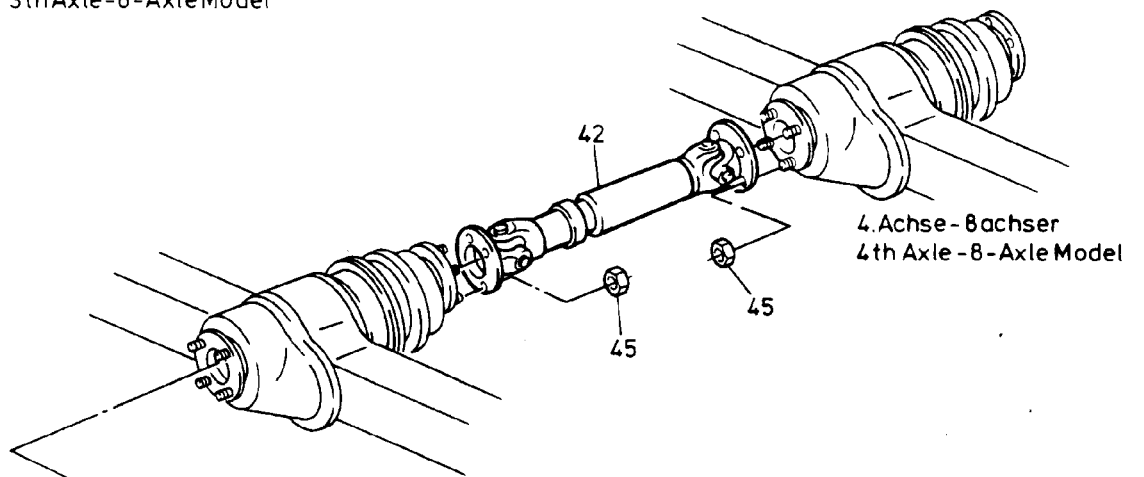
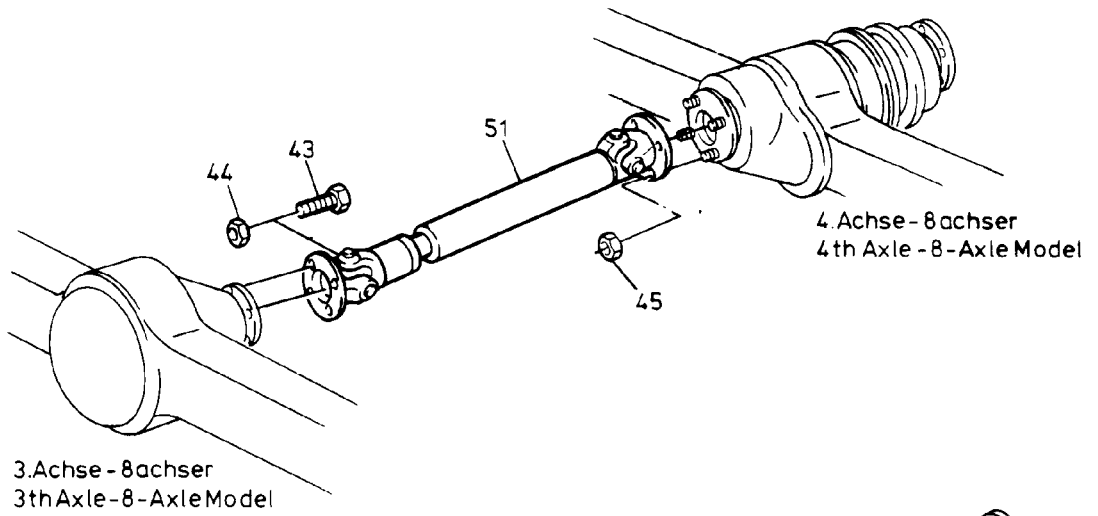


9. Achse - 9 Achser
 8. Achse - 8 Achser
 9th Axle - 9 - Axle Model
 8th Axle - 8 - Axle Model



8. Achse - 9 Achser
 7. Achse - 8 Achser
 8th Axle - 9 - Axle Model
 7th Axle - 8 - Axle Model

223-3650a



| Bild-Nr Fig Fig Fig Fig Bild nr | ET-Nr Part-No No. de Piece No. de Pieza No. del Pezzo Detalj nr | Stückzahl Qty Qte Ctd Qta Antal | | Gegenstand Description Designation Description Designazione Benaemning |
|--|--|--|--|---|
| | | | Bild 1 | Graphic 1 |
| 01 | 433 856 40 | 1 | Gelenkwelle | Joint shaft |
| 02 | 433 857 40 | 1 | Gelenkwelle | Joint shaft |
| 03 | 433 862 40 | 1 | Gelenkwelle | Joint shaft |
| 04 | 506 203 98 | 4 | Schraube | Bolt |
| 05 | 308 633 99 | 2 | Schraube | Bolt |
| 06 | 334 695 99 | 2 | Mutter | Nut |
| 07 | 340 469 99 | 2 | Scheibe | Washer |
| 08 | 502 686 98 | 4 | Mutter | Nut |
| 09 | 308 859 99 | 8 | Schraube | Bolt |
| 10 | 334 694 99 | 8 | Mutter | Nut |
| 11 | 450 416 40 | 1 | Keilriemenscheibe | V-belt pulley |
| 12 | 500 323 98 | 1 | Keilriemen | V-belt |
| 13 | 506 202 98 | 4 | Schraube | Bolt |
| 14 | 761 256 73 | 1 | Flanschmitnehmer | Flange yoke |
| 15 | 761 257 73 | 1 | Zwischenwellenlager | Elastic intermed. shaft bearing |
| | | | Bild 2 | Graphic 2 |
| 20 | 502 686 98 | 8 | Mutter | Nut |
| 21 | 433 860 40 | 1 | Gelenkwelle | Joint shaft |
| 22 | 433 861 40 | 1 | Gelenkwelle | Joint shaft |
| 23 | 308 859 99 | 8 | Schraube | Bolt |
| 24 | 334 694 99 | 12 | Mutter | Nut |
| 25 | 433 864 40 | 1 | Keilriemenscheibe | V-belt pulley |
| 26 | 433 998 40 | 1 | Keilriemenscheibe | V-belt pulley |
| 27 | 502 482 98 | 2 | Keilriemen | V-belt |
| 28 | 308 554 99 | 4 | Schraube | Bolt |
| 29 | 506 201 98 | 4 | Schraube | Bolt |
| 30 | 504 212 98 | 4 | Mutter | Nut |
| | | | nur bei Ausführung "ohne Wirbelstrombremse" | only for version "without vortex brake" |
| 31 | 433 858 40 | 1 | Gelenkwelle | Joint shaft |
| 32 | 433 859 40 | 1 | Gelenkwelle | Joint shaft |
| 33 | 307 579 99 | 4 | Schraube | Bolt |
| 34 | 777 983 73 | 2 | Flanschmitnehmer | Flange yoke |
| 35 | 777 984 73 | 2 | Zwischenwellenlager | Elastic intermed. shaft bearing |
| 36 | 777 985 73 | 2 | Scheibe | Washer |
| 37 | 777 987 73 | 4 | Schraube | Bolt |
| | | | Bild 3 | Graphic 3 |

| Bild-Nr Fig Fig Fig Fig Bild nr | ET-Nr Part-No No. de Piece No. de Pieza No. del Pezzo Detalj nr | Stückzahl Qty Qte Ctd Qta Antal | | Gegenstand Description Designation Descripcion Designazione Benaemning |
|---|---|---|---|--|
| 41 | 433 861 40 | 1 | Gelenkwelle 9-Achser 18x10, 8-Achser 16x10 | Joint shaft 9-Axle model 18x10, 8-Axle model 16x10 |
| 42 | 450 431 40 | 1 | Gelenkwelle 9-Achser 18x10, 8-Achser 16x10 | Joint shaft 9-Axle model 18x10, 8-Axle model 16x10 |
| 43 | 308 859 99 | 8 | Schraube | Bolt |
| 44 | 334 694 99 | 8 | Mutter | Nut |
| 45 | 502 686 98 | 16 | Mutter | Nut |
| 51 | 433 863 40 | 1 | Gelenkwelle 9-Achser 18x8, 8-Achser 16x8 | Joint shaft 9-Axle model 18x8, 8-Axle model 16x8 |