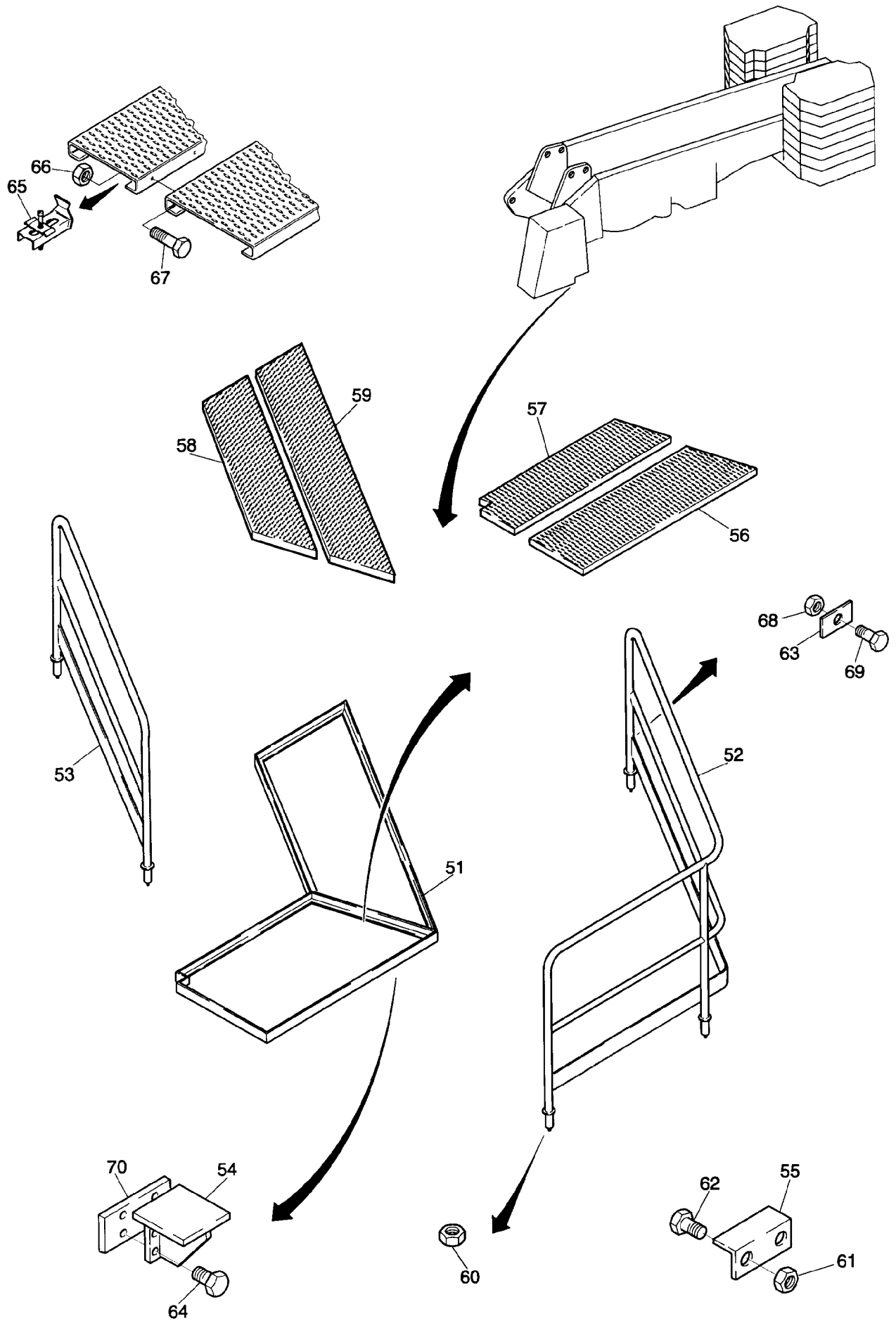


52-1906a



52-1906a

| Bild-Nr Fig Fig Fig Fig Bild nr | ET-Nr Part-No No. de Piece No. de Pieza No. del Pezzo Detailj nr | Stückzahl Qty Qte Ctd Qta Antal | | Gegenstand Description Designation Descripcion Designazione Benaemning |
|--|---|--|-------------------------------------|---|
| 01 | 595 542 40 | 1 | Winkelrahmen, kpl. | Angular frame assy. |
| 02 | 595 509 40 | 1 | Winkelrahmen, kpl. | Angular frame assy. |
| 03 | 595 504 40 | 1 | Winkelrahmen, kpl. | Angular frame assy. |
| 04 | 595 543 40 | 1 | Winkelrahmen, kpl. | Angular frame assy. |
| 05 | 595 548 40 | 8 | Träger, kpl. | Carrier assy. |
| 06 | 595 506 40 | 1 | Konsole, kpl. | Console assy. |
| 07 | 595 502 40 | 2 | Konsole, kpl. | Console assy. |
| 08 | 595 501 40 | 2 | Konsole, kpl. | Console assy. |
| 09 | 595 503 40 | 1 | Konsole, kpl. | Console assy. |
| 10 | 595 507 40 | 1 | Pendeltür, kpl. | Swing door assy. |
| 11 | 595 508 40 | 2 | Pendeltür, kpl. | Swing door assy. |
| 12 | 595 546 40 | 2 | Pfosten, kpl. | Post assy. |
| 13 | 486 826 40 | 2 | Geländer, kpl. | Rail assy. |
| 14 | 486 825 40 | 1 | Geländer, kpl. | Rail assy. |
| 15 | 486 830 40 | 2 | Geländer, kpl. | Rail assy. |
| 16 | 604 756 40 | 6 | Türschließer | Lock |
| 17 | 440 507 40 | 2 | Stabil-Rost | Grid |
| 18 | 440 509 40 | 2 | Stabil-Rost | Grid |
| 19 | 440 510 40 | 1 | Stabil-Rost | Grid |
| 20 | 440 508 40 | 1 | Stabil-Rost | Grid |
| 21 | 595 539 40 | 1 | Stabil-Rost | Grid |
| 22 | 595 540 40 | 1 | Stabil-Rost | Grid |
| 23 | 490 874 40 | 24 | Rost-Clip mit Schraube | Grid clip with screw |
| 24 | 574 285 40 | 3 | Futter (bei Montage anschweißen) | Lining (to be welded) |
| 25 | 332 113 99 | 15 | Mutter | Nut |
| 26 | 504 212 98 | 28 | Mutter | Nut |
| 27 | 207 593 40 | 28 | Schraube | Bolt |
| 28 | 318 576 99 | 48 | Linsenschraube | Fillister-head screw |
| 29 | 307 823 99 | 24 | Schraube | Bolt |
| 30 | 628 004 40 | 4 | Anschlag | Stop |
| 31 | 332 333 99 | 4 | Mutter | Nut |
| 32 | 307 785 99 | 4 | Schraube | Bolt |
| 33 | 444 169 40 | 3 | Blech | Plate |
| 51 | 596 190 40 | 1 | Winkelrahmen | Angular frame |
| 52 | 596 344 40 | 1 | Geländer | Rail |
| 53 | 596 333 40 | 1 | Geländer | Rail |
| 54 | 596 422 40 | 2 | Winkelauflage | Angle support |
| 55 | 628 342 40 | 1 | Winkel | Angle |
| 56 | 596 473 40 | 1 | Sicherheitsrost | Safety grating |
| 57 | 596 474 40 | 1 | Sicherheitsrost | Safety grating |
| 58 | 596 475 40 | 1 | Sicherheitsrost | Safety grating |

| Bild-Nr Fig Fig Fig Fig Bild nr | ET-Nr Part-No No. de Piece No. de Pieza No. del Pezzo Detailj nr | Stückzahl Qty Qte Ctd Qta Antal | | Gegenstand Description Designation Descripcion Designazione Benaemning |
|--|--|---|-----------------|--|
| 59 | 596 476 40 | 1 | Sicherheitsrost | Safety grating |
| 60 | 332 113 99 | 5 | Mutter | Nut |
| 61 | 332 336 99 | 4 | Mutter | Nut |
| 62 | 307 823 99 | 4 | Schraube | Bolt |
| 63 | 596 477 40 | 2 | Anschlag | Stop |
| 64 | 307 821 99 | 8 | Schraube | Bolt |
| 65 | 490 874 40 | 8 | C-Clips kpl. | C-clip assy. |
| 66 | 504 212 98 | 6 | Mutter | Nut |
| 67 | 207 593 40 | 6 | Schraube | Bolt |
| 68 | 332 333 99 | 1 | Mutter | Nut |
| 69 | 307 785 99 | 1 | Schraube | Bolt |
| 70 | 596 478 40 | 1 | Platte | Plate |
| Laufstege am Oberwagen Catwalks on Superstructure | | | | 52-1906a Seite/Page 4/4 |