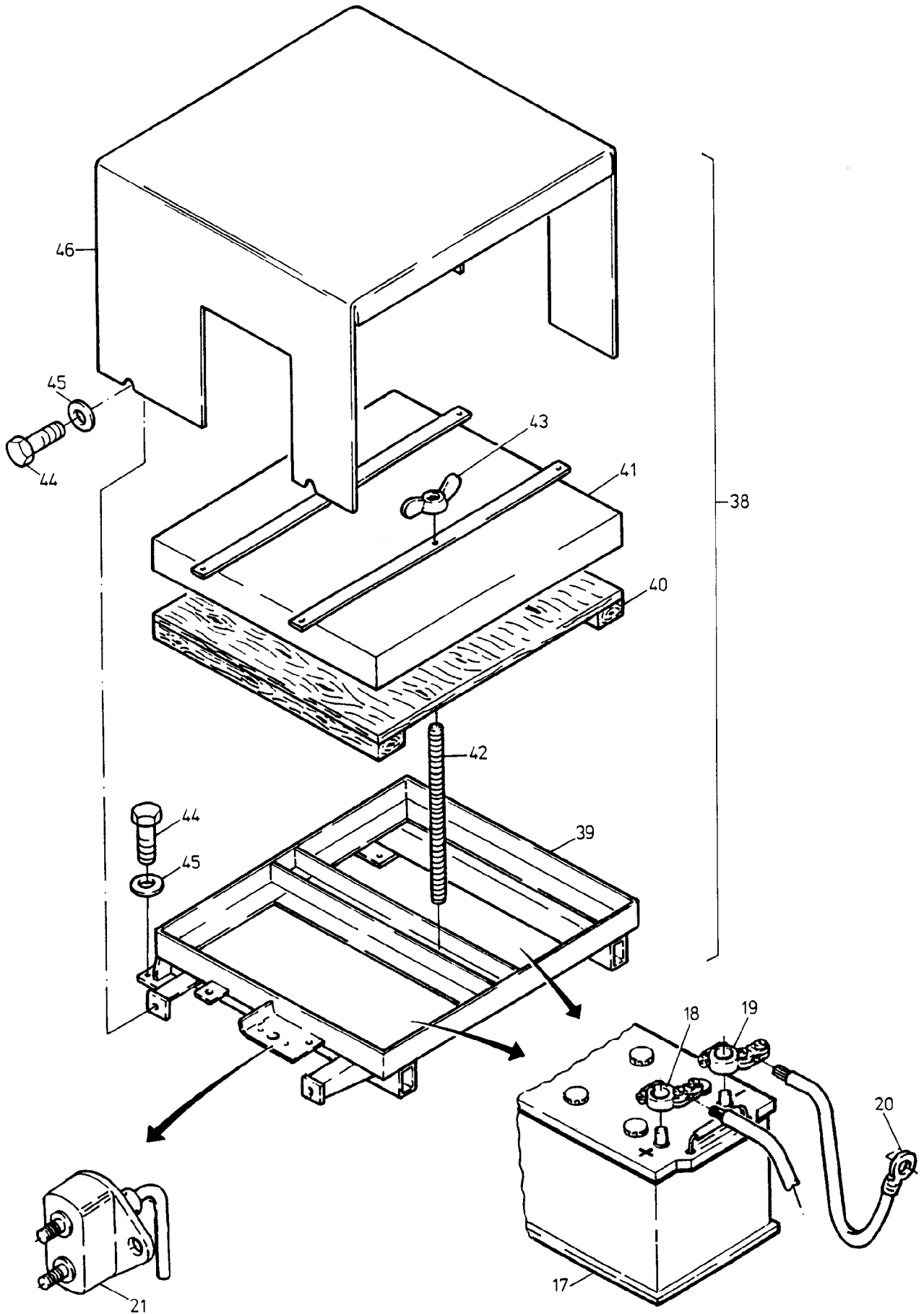


804-2100



804-2100

| Bild-Nr Fig Fig Fig Fig Bild nr | ET-Nr Part-No No. de Piece No. de Pieza No. del Pezzo Detailj nr | Stückzahl Qty Qte Ctd Qta Antal | | Gegenstand Description Designation Description Designazione Benaemning |
|------------------------------------------------|---------------------------------------------------------------------------------|------------------------------------------------|-------------------------------------------------------|---------------------------------------------------------------------------------------|
| 01 | - | 1 | Elektrik Kabine s. EL-Blatt 804-2150 | Electric cabin see page 804-2150 |
| 02 | - | 1 | Verteilerkasten /Steuerung OW s. EL-Blatt 801-2110 | Distr. box /control superstr. see page 801-2110 |
| 03 | - | 1 | Verteilerkasten LMB - VR s. EL-Blatt 804-2115 | Distr. box /load limit device see page 804-2115 |
| 04 | - | 2 | Depotkasten s. EL-Blatt 801-2120 | Junction box see page 801-2120 |
| 05 | - | 1 | Verteilerkasten X13 SL-GW s. EL-Blatt 801-2125 | Distribution box see page 801-2125 |
| 06 | - | 1 | Verteilerkasten OW-HA STG s. EL-Blatt 801-2130 | Distribution box see page 801-2130 |
| 07 | 454 712 40 | 2 | Kabel /LMB /HA | Cable /load limit device / main boom |
| 08 | 454 713 40 | 6 | Kabel /Druckaufnehmer | Cable /pressure contact |
| 09 | 454 714 40 | 1 | Kabel /Winkelgeber, Mast | Cable /angle transm., tower |
| 10 | 454 707 40 | 1 | Kabel /Kraftgeber EW | Cable /force transmitter |
| - | 48737140 | 1 | Kraftmeßdose 25 t | Load cell |
| - | 48736940 | 1 | Kraftmeßdose 25 t Ezis | Load cell |
| 11 | - | 1 | Verteilerkasten X6 OW-HR s. EL-Blatt 804-2135 | Distribution box see page 804-2135 |
| 12 | * | - | Kabel 25x1 | Cable |
| 13 | * | - | Kabel 14x1 | Cable |
| 14 | * | - | Kabel 3x1 | Cable |
| 15 | * | - | Kabel 4x2x0,75 | Cable |
| 16 | * | - | Kabel 65x1 | Cable |
| 17 | 500 284 98 | 2 | Batterie | Battery |
| 18 | 420 246 99 | 2 | Batterieklemme /Plus | + Terminal |
| 19 | 420 247 99 | 2 | Batterieklemme /Minus | - Terminal |
| 20 | 145 737 40 | 2 | Kabelschuh | Cable shoe |
| 21 | 159 984 40 | 1 | Batterieschalter | Battery switch |
| 22 | 348 698 40 | 38 | Entstörstecker (Magnetventil) | Shielded plug (solenoid valve) |
| 23 | 348 678 40 | 38 | Dichtung f. Entstörstecker | Seal for shielded plug |
| 24 | 300 984 40 | 50 | Kabelverschraubung PG 11 | Cable union |
| 25 | 300 985 40 | 10 | Kabelverschraubung PG 13,5 | Cable union |
| 26 | 490 686 40 | 2 | Druckaufnehmer | Pressure contact |
| 27 | 490 687 40 | 4 | Druckaufnehmer | Pressure contact |
| 28 | * | - | Kabel 1x16 | Cable |
| 29 | 552 876 40 | 1 | Kabel /OW-HR-STG | Cable |
| 30 | 552 877 40 | 1 | Kabel /EW - ECJS | Cable |
| 31 | 552 725 40 | 1 | Kabel /UW - STG | Cable |
| 32 | 490 264 40 | 2 | Näherungsschalter | Switch |

Elektroteile OW
Electr. Parts Superstructure

804-2100

Seite/Page 3/4

| Bild-Nr Fig Fig Fig Fig Bild nr | ET-Nr Part-No No. de Piece No. de Pieza No. del Pezzo Detailj nr | Stückzahl Qty Qte Ctd Qta Antal | | Gegegenstand Description Designation Descripcion Designazione Benaemning |
|------------------------------------------------|---------------------------------------------------------------------------------|------------------------------------------------|----------------------------------------------|-----------------------------------------------------------------------------------------|
| 33 | 440 112 40 | 1 | Getriebenockenschalter | Camshaft controller |
| 34 | 552 726 40 | 1 | Kabel /UW - LMB | Cable |
| 35 | 552 727 40 | 1 | Kabel /UW - Konsole | Cable |
| 36 | 526 018 40 | 1 | Kabel Neigungsgeber | Cable |
| 37 | - | 1 | Schaltergehäuse s. EL-Blatt 804-2140 | Shift control housing see page 804-2140 |
| 38 | 491 946 40 | 1 | Batteriegerüst Bild-Nr. 39-46 | Battery frame fig-nos. 39-46 |
| 39 | 491 947 40 | 1 | Batteriegerüst | Battery frame |
| 40 | 436 244 40 | 1 | Zwischendeckel | Intermediate cover |
| 41 | 436 247 40 | 1 | Deckel | Cover |
| 42 | 240 124 40 | 6 | Gewindestange | Threaded rod |
| 43 | 338 011 99 | 6 | Flügelmutter | Wing nut |
| 44 | 307 777 99 | 14 | Schraube | Bolt |
| 45 | 340 465 99 | 14 | Scheibe | Washer |
| 46 | 539 093 40 | 1 | Haube | Hood |
| | | | * Meterware, bei Bestellung Länge angeben | * Bulk ware, state length required |
| * | 369 775 40 | - | Kabel (zu Bild-Nr. 12) | Cable (to fig-no. 12) |
| * | 369 200 40 | - | Kabel (zu Bild-Nr. 13) | Cable (to fig-no. 13) |
| * | 369 198 40 | - | Kabel (zu Bild-Nr. 14) | Cable (to fig-no. 14) |
| * | 490 592 40 | - | Kabel (zu Bild-Nr. 15) | Cable (to fig-no. 15) |
| * | 369 186 40 | - | Kabel (zu Bild-Nr. 16) | Cable (to fig-no. 16) |
| * | 508 013 98 | - | Kabel (zu Bild-Nr. 28) | Cable (to fig-no. 28) |
| Elektroteile OW | | | 804-2100 | |
| Electr. Parts Superstructure | | | Seite/Page 4/4 | |