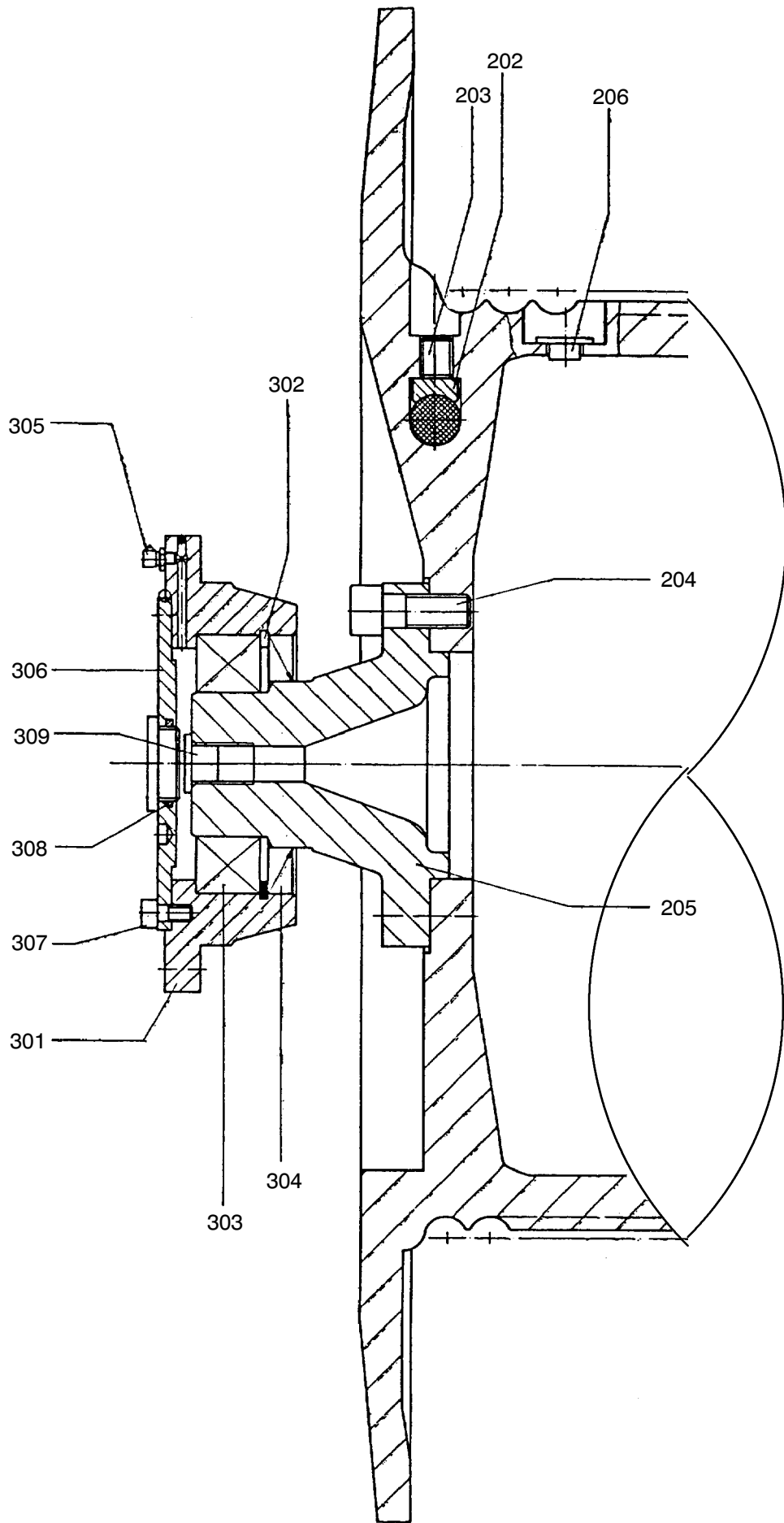


90-0947



90-0947

| Bild-Nr Fig Fig Fig Fig Bild nr | ET-Nr Part-No No. de Piece No. de Pieza No. del Pezzo Detailj nr | Stückzahl Qty Qte Qtd Qta Antal | | Gegenstand Description Designation Descripcion Designazione Benaemning |
|--|---|--|---------------------|---|
| 100 | 515 949 40 | 1 | Seilwinde kpl. | Rope winch assy. |
| 101 | 780 637 73 | 1 | Sonnenrad | Sun gear |
| 102 | * | 3 | Planetenrad | Planetary |
| 103 | 780 638 73 | 1 | Hohlrاد | Ring gear |
| 104 | 780 639 73 | 1 | Zapfenträger | Trunnion support |
| 105 | 780 640 73 | 1 | Sonnenrad | Sun gear |
| 106 | * | 1 | Planetenrad | Planetary |
| 107 | 780 641 73 | 1 | Flanschhohlrاد | Flanged ring |
| 108 | 780 642 73 | 3 | Bolzen | Pin |
| 109 | 780 643 73 | 1 | Zwischenradträger | Intermediate gear support |
| 110 | 780 644 73 | 1 | Lagerdeckel | Bearing cap |
| 111 | 780 645 73 | 1 | Deckel | Cover |
| 113 | 780 646 73 | 1 | Lagerring | Race |
| 114 | 321 552 99 | 24 | Zyl.-Schraube | Screw |
| 115 | 511 805 98 | 3 | O-Ring | O-ring |
| 116 | * | 3 | Planetenradlagerung | Bearing |
| 117 | 342 481 99 | 3 | Sicherungsring | Circlip |
| 118 | 360 502 99 | 1 | Rillenkugellager | Roller bearing |
| 119 | 360 447 99 | 1 | Rillenkugellager | Roller bearing |
| 120 | 511 806 98 | 1 | Rillenkugellager | Roller bearing |
| 121 | 342 686 99 | 1 | Sicherungsring | Circlip |
| 122 | 342 574 99 | 1 | Sicherungsring | Circlip |
| 123 | 342 658 99 | 1 | Sicherungsring | Circlip |
| 124 | * | 3 | Planetenradlagerung | Bearing |
| 125 | 360 450 99 | 1 | Rillenkugellager | Roller bearing |
| 126 | 342 665 99 | 1 | Sicherungsring | Circlip |
| 127 | 511 255 98 | 1 | Wellendichtring | Shaft seal |
| 129 | 780 410 73 | 37 | Zylinderrolle | Roller |
| 130 | 511 812 98 | 1 | Wellendichtring | Shaft seal |
| 131 | 780 655 73 | 1 | V-Seal | V-seal |
| 132 | 780 629 73 | 1 | Ölschauglas | Oil level gauge |
| 200 | 780 630 73 | 1 | Seiltrommel, kpl. | Rope drum assy. |
| 201 | 780 631 73 | 1 | Seiltrommel | Rope drum |
| 202 | 780 632 73 | 1 | Klemmschiene | Clamping rail |
| 203 | 325 144 99 | 4 | Gewindestift | Threaded pin |
| 204 | 319 297 99 | 36 | Zyl.-Schraube | Bolt |
| 205 | 780 633 73 | 1 | Flansch | Flange |
| 206 | 780 634 73 | 2 | Kegelstopfen | Plug, tapered |
| 300 | 780 635 73 | 1 | Lagerbuchse, kpl. | Bearing bush assy. |
| 301 | 780 636 73 | 1 | Lagerbuchse | Bearing bush |
| 302 | 342 675 99 | 1 | Sicherungsring | Circlip |
| 303 | 511 807 98 | 1 | Pendelrollenlager | Self-aligning bearing |
| Seilwinde | | | | 90-0947 |
| Rope Winch | | | | |
| | | | | Seite/Page 3/4 |

| Bild-Nr Fig Fig Fig Fig Bild nr | ET-Nr Part-No No. de Piece No. de Pieza No. del Pezzo Detailj nr | Stückzahl Qty Qte Ctd Qta Antal | | Gegenstand Description Designation Descripcion Designazione Benaemning |
|--|---|--|--|---|
| 304 | 500 247 98 | 1 | Wellendichtring | Shaft seal |
| 305 | 511 814 98 | 1 | Nippel | Nipple |
| 306 | 780 647 73 | 1 | Durchgangsdeckel | Shield |
| 307 | 319 540 99 | 6 | Zyl.-Schraube, verzinkt | Screw, zinc coated |
| 308 | 511 813 98 | 1 | Scheibe | Washer |
| 309 | 780 648 73 | 1 | Verschlußstopfen | Plug |
| 400 | 780 649 73 | 1 | Hydro-Lamellenbremse, kpl. | Disc brake assy. |
| 401 | 439 081 73 | 1 | Betätigungseinheit | Control linkage assy. |
| 402 | 806 199 73 | 8 | Außenlamelle | Outer disc |
| 403 | 780 203 73 | 7 | Innenlamelle | Internal disc |
| 404 | 439 084 73 | 22 | Druckfeder | Compression spring |
| 405 | 780 650 73 | 1 | Ringgehäuse | Housing |
| 406 | 806 742 73 | 1 | Lamellenträger | Disc carrier |
| 407 | 780 652 73 | 1 | Motorflansch | Flange-mount |
| 408 | 509 990 98 | 1 | O-Ring | O-ring |
| 409 | 320 031 99 | 12 | Zyl.-Schraube, verzinkt | Bolt, zinc coated |
| 410 | 319 427 99 | 2 | Zyl.-Schraube, verzinkt | Bolt, zinc coated |
| 411 | 342 520 99 | 1 | Sicherungsring | Circlip |
| 412 | 511 804 98 | 1 | O-Ring | O-ring |
| 413 | 780 653 73 | 1 | Verschraubung | Union |
| 414 | 780 654 73 | 1 | Rohr | Pipe |
| 415 | 780 420 73 | 1 | Entlüftungsventil | Bleeder valve |
| 416 | 439 093 73 | 22 | Druckfeder | Compression spring |
| 417 | | 1 | Spannhülse | Dowel sleeve |
| 418 | 780 204 73 | 1 | Dichtsatz, innen u. außen | Seal kit, inner and outer |
| * | 780 651 73 | 3 | Planetenrad, nur kpl. lieferbar Bild-Nr. 102,106,116 u. 124 | Planetary, compl. available only fig-nos. 102,106,116 and 124 |