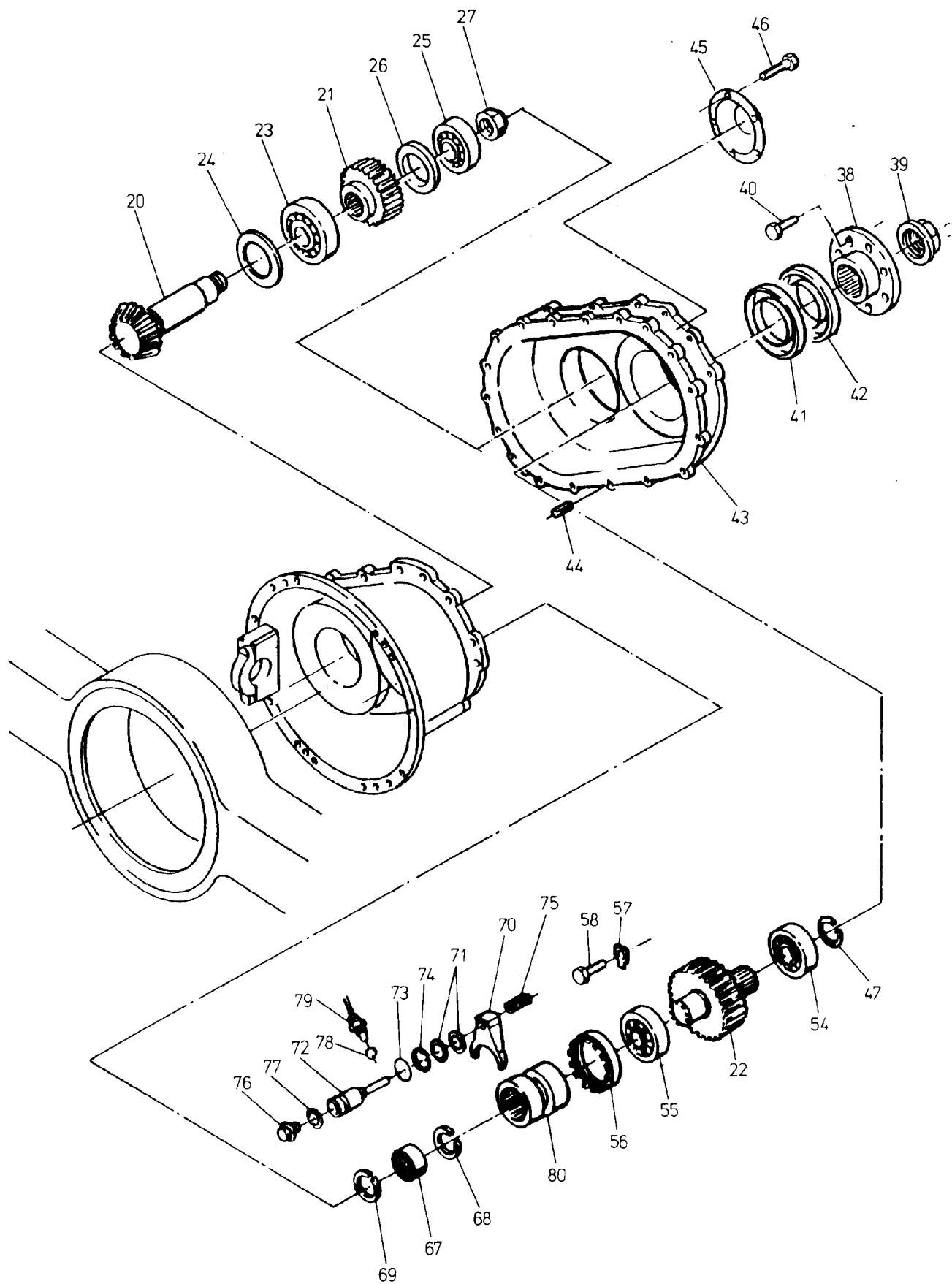


90-1997



90-1997

| Bild-Nr Fig Fig Fig Fig Bild nr | ET-Nr Part-No No. de Piece No. de Pieza No. del Pezzo Detailj nr | Stückzahl Qty Qte Ctd Qta Antal | | Gegenstand Description Designation Descripcion Designazione Benaemning |
|--|---|--|---------------------------|---|
| | | | | 90-1895 D 71/122.4 |
| 01 | 778 175 73 | 1 | Differentialgehäuse | Differential case |
| 02 | 997 476 00 | 2 | Anlaufscheibe | Disk |
| 03 | 956 147 00 | 4 | Anlaufscheibe | Disk |
| 04 | 997 318 00 | 2 | Achswellenrad | Differential side gear |
| 05 | 956 149 00 | 4 | Ausgleichskegelrad | Differential pinion |
| 06 | 956 150 00 | 1 | Differentialkreuz | Differential spider |
| 07 | 363 015 99 | 1 | Kegelrollenlager | Bearing |
| 08 | 500 198 98 | 1 | Kegelrollenlager | Bearing |
| 09 | 319 487 99 | 8 | Schraube | Bolt |
| 10 | 307 612 99 | 16 | Schraube | Bolt |
| 11 | 956 152 00 | 4 | Lagerbüchse | Bushing |
| 12 | 771 080 00 | 1 | Schiebemuffe | Sliding sleeve |
| 13 | 771 081 00 | 1 | Schaltgabel | Shift fork |
| 14 | 771 082 00 | 1 | Kolben | Piston |
| 15 | 502 046 98 | 1 | O-Ring | O-ring |
| 16 | 771 108 00 | 1 | Kolbenführungsring | Piston guide ring |
| 17 | 771 083 00 | 1 | Druckfeder | Pressure spring |
| 18 | 772 507 73 | 1 | Zylinder | Cylinder |
| 19 | 304 136 99 | 2 | Schraube | Bolt |
| 20 | 777 241 73 | 1 | Kegelritzel und Tellerrad | Cone and ring gear |
| 21 | 762 328 73 | 1 | Zahnrad Z=32 | Gear |
| 22 | 997 222 00 | 1 | Zahnrad Z=25 | Gear |
| 23 | 500 432 98 | 1 | Kegelrollenlager | Bearing |
| 24 | 341 522 99 | 1 | Stützscheibe | Disk |
| 25 | 500 431 98 | 1 | Kegelrollenlager | Bearing |
| 26 | 778 178 73 | 1 | Zwischenring | Ring |
| 27 | 760 701 00 | 1 | Mutter | Nut |
| 28 | 761 281 73 | 1 | Kegelradantriebsgehäuse | Differential carrier |
| 29 | 308 426 99 | 4 | Schraube | Bolt |
| 30 | 965 701 00 | 1 | Stelling | Adjusting nut |
| 31 | 965 774 00 | 1 | Stelling | Adjusting nut |
| 32 | 307 748 99 | 2 | Schraube | Bolt |
| 33 | 770 536 00 | 2 | Sicherungsblech | Lock plate |
| 34 | 307 998 99 | 12 | Skt.-Schraube | Bolt |
| 35 | 320 007 99 | 5 | Imbus-Schraube | Hexagon socket |
| 36 | 319 486 99 | 2 | Imbus-Schraube | Hexagon socket |
| 37 | 345 108 99 | 2 | Spannhülse | Dowel pin |
| 38 | 762 324 73 | 1 | Antriebsflansch | Drive flange |
| 39 | 760 701 00 | 1 | Mutter | Nut |
| 40 | - | 4 | Skt.-Schraube | Bolt |
| Achsantrieb Axle Drive | | | | 90-1997 Seite/Page 3/4 |

| Bild-Nr Fig Fig Fig Fig Bild nr | ET-Nr Part-No No. de Piece No. de Pieza No. del Pezzo Detailj nr | Stückzahl Qty Qte Ctd Qta Antal | | Gegenstand Description Designation Descripcion Designazione Benaemning |
|--|---|--|---|---|
| 41 | 501 298 99 | 1 | Dichtring | Seal ring |
| 42 | 505 424 98 | 1 | Dichtring | Seal ring |
| 43 | 997 393 00 | 1 | Vorgelegegehäuse | Gear housing |
| 44 | 345 108 99 | 2 | Spannhülse | Dowel pin |
| 45 | 997 394 00 | 1 | Deckel | Cover |
| 46 | 307 730 99 | 6 | Schraube | Bolt |
| 47 | 342 675 99 | 1 | Sicherungsring | Circlip |
| 48 | 762 324 73 | 1 | Durchtriebswelle | Through drive shaft |
| 49 | 360 378 99 | 1 | Kugellager | Bearing |
| 50 | 366 353 99 | 1 | Dichtring | Seal ring |
| 51 | 366 353 99 | 1 | Dichtring | Seal ring |
| 52 | 997 396 00 | 1 | Deckel | Cover |
| 53 | 307 776 99 | 8 | Schraube | Bolt |
| 54 | 363 014 99 | 1 | Kegelrollenlager | Taper roller bearing |
| 55 | 363 174 99 | 1 | Kegelrollenlager | Taper roller bearing |
| 56 | 771 088 00 | 1 | Stelling | Adjusting nut |
| 57 | 771 089 00 | 1 | Sicherungsblech | Lock plate |
| 58 | 307 750 99 | 2 | Schraube | Bolt |
| 59 | 997 225 00 | 1 | Gehäusedeckel | Cover |
| 60 | 307 998 99 | 14 | Schraube | Nut |
| - | 320 007 99 | 1 | Imbus-Schraube M14x55 zu Bild-Nr. 60 | Hexagon socket to fig-no. 60 |
| 61 | 997 199 00 | 1 | Stützscheibe | Disk |
| 62 | 342 467 99 | 1 | Sicherungsring | Circlip |
| 63 | - | 4 | Schraube | Bolt |
| 64 | 313 185 99 | 1 | Verschlußschraube | Screw plug |
| 65 | 340 243 99 | 1 | Dichtring | Seal ring |
| 67 | 505 425 98 | 1 | Nadellager | Needle bearing |
| 68 | - | 1 | Sprengring | Circlip |
| 69 | 007 086 98 | 1 | Sprengring | Circlip |
| 70 | 771 201 00 | 1 | Schaltgabel | Shift fork |
| 71 | 772 501 73 | 1 | Büchse | Bushing |
| 72 | 772 502 73 | 1 | Kolben | Piston |
| 73 | 502 046 98 | 1 | O-Ring | O-ring |
| 74 | 771 108 00 | 1 | Kolbenführungsring | Piston guide ring |
| 75 | - | 1 | Druckfeder | Pressure spring |
| 76 | 501 364 98 | 1 | Verschlußschraube | Plug |
| 77 | 501 636 98 | 1 | Dichtring | Seal ring |
| 78 | 502 048 98 | 1 | Kugel | Ball |
| 79 | 997 492 00 | 1 | Stößel-Schalter | Tappet switch |
| 80 | 771 203 00 | 1 | Schiebemuffe | Sliding sleeve |

Achsantrieb
Axle Drive

90-1997

Seite/Page 4/4