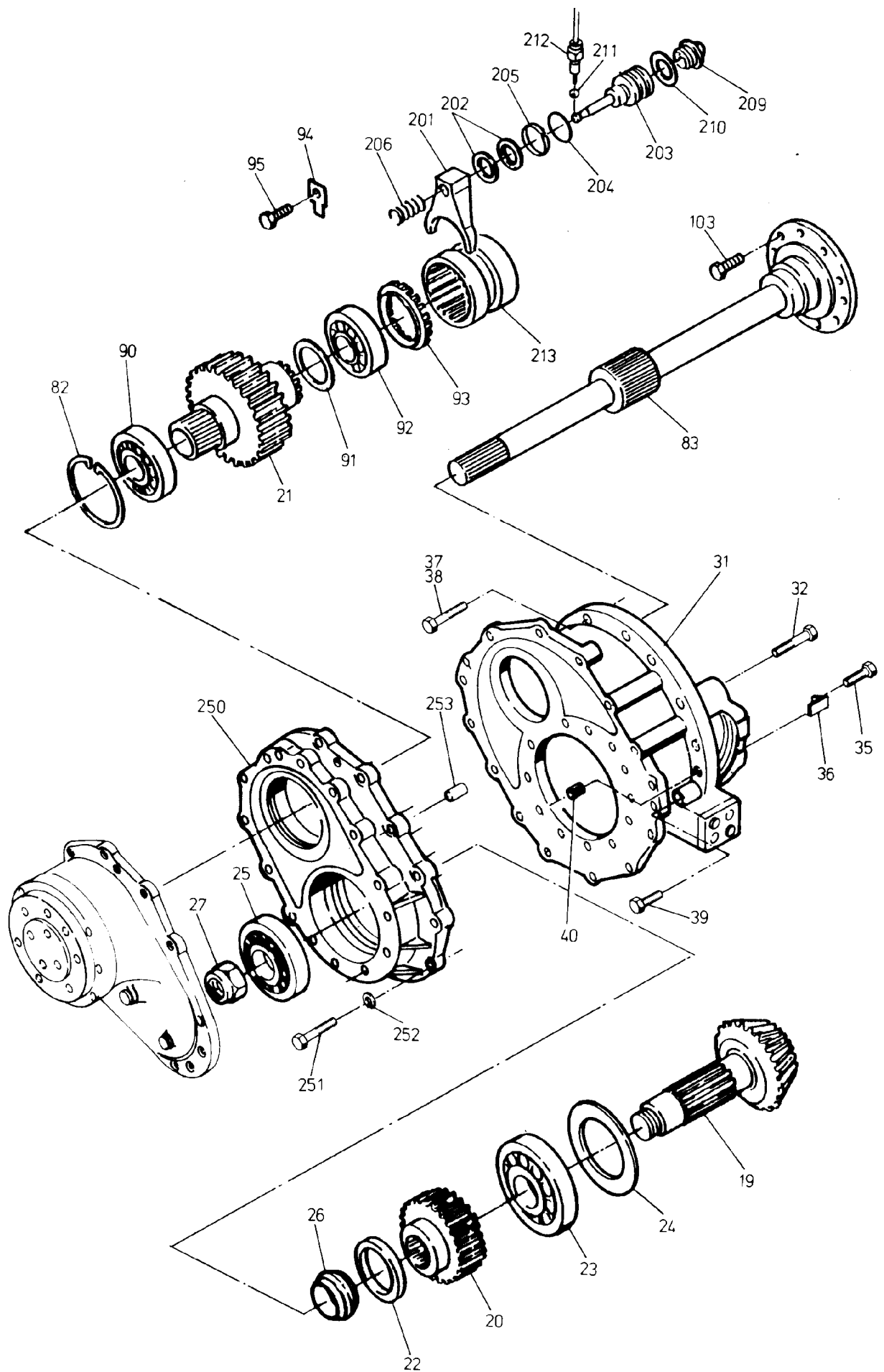
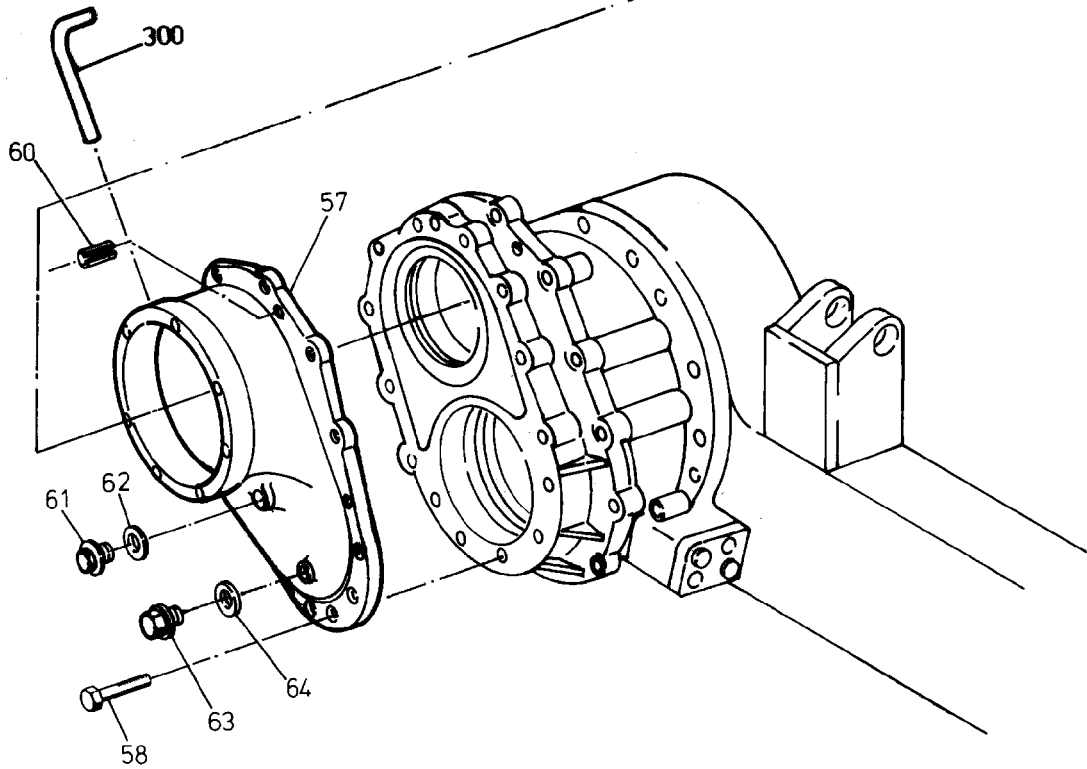
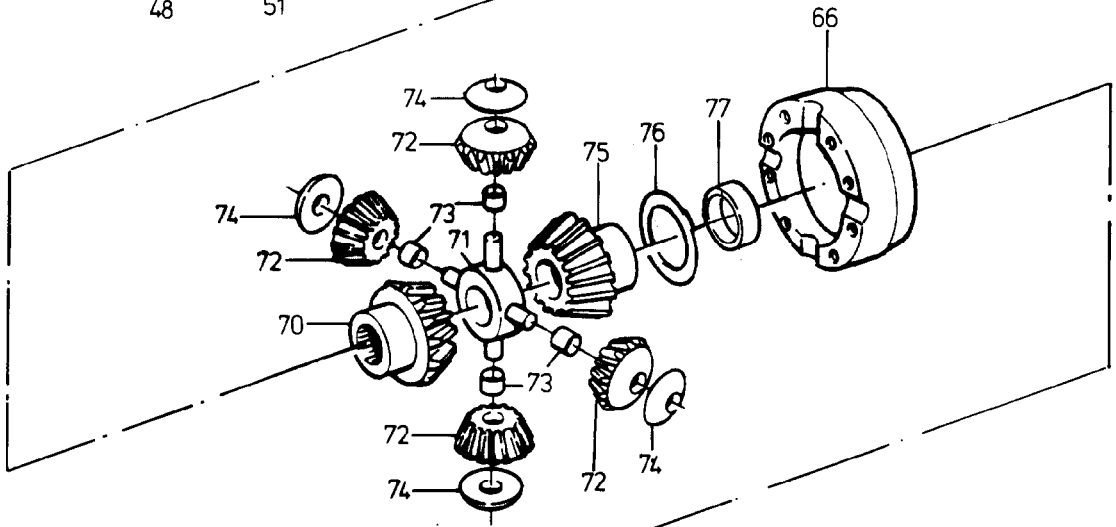
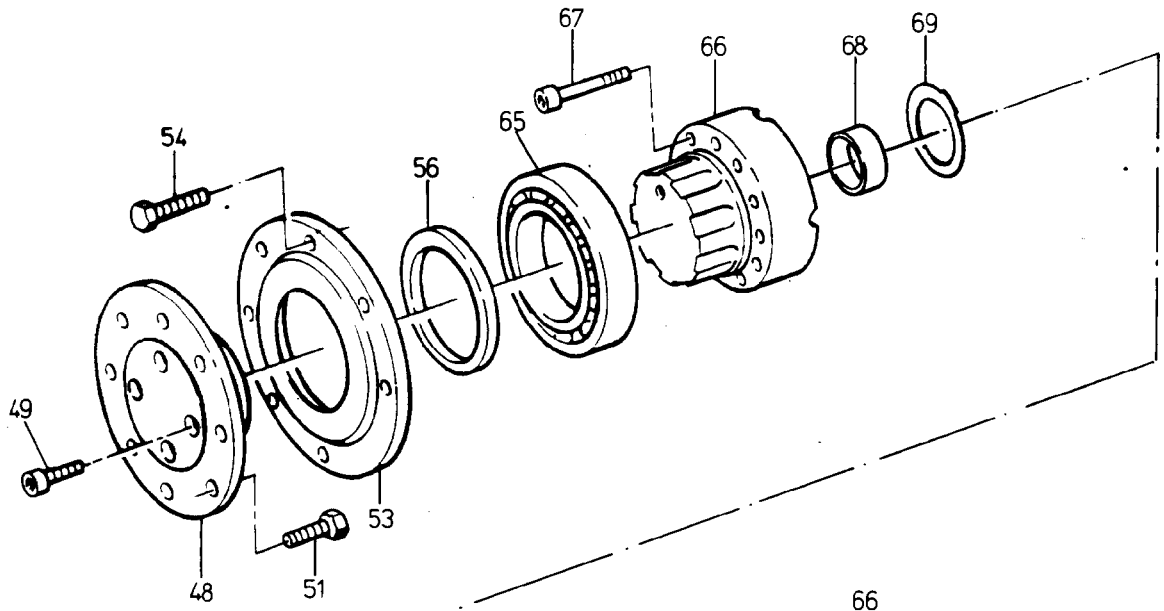


90-1998



90-1998



90-1998

| Bild-Nr<br>Fig<br>Fig<br>Fig<br>Fig<br>Bild nr | ET-Nr<br>Part-No<br>No. de Piece<br>No. de Pieza<br>No. del Pezzo<br>Detailj nr | Stückzahl<br>Qty<br>Qte<br>Ctd<br>Qta<br>Antal |                         | Gegenstand<br>Description<br>Designation<br>Descripcion<br>Designazione<br>Benaemning |
|--|---|--|-------------------------|---|
| 01   | 771 197 00  | 1  | Differentialgehäusesatz | Differential housing set  |
| 02   | 997 476 00  | 2  | Anlaufscheibe           | Stop washer   |
| 03   | 956 147 00  | 4  | Anlaufscheibe           | Stop washer   |
| 04   | 956 148 00  | 2  | Achswellenrad           | Axle shaft wheel  |
| 05   | 956 149 00  | 4  | Ausgleichkegelrad       | Pinion  |
| 06   | 956 150 00  | 1  | Differentialkreuz       | Differential  |
| 07   | 363 015 99  | 1  | Rollenlager             | Roller bearing  |
| 08   | 500 198 98  | 1  | Rollenlager             | Roller bearing  |
| 09   | 319 487 99  | 8  | Schraube                | Bolt  |
| 10   | 307 612 99  | 16   | Schraube                | Bolt  |
| 11   | 956 152 00  | 4  | Lagerbüchse             | Bearing bush  |
| 19   | 997 195 00  | 1  | Kegel- u. Tellerrad     | Cone and ring gear  |
| 20   | 997 222 00  | 1  | Zahnrad Z=25            | Gear  |
| 21   | 771 198 00  | 1  | Zahnrad Z=32            | Gear  |
| 22   | 500 434 98  | 1  | Wellendichtring         | Seal ring   |
| 23   | 500 432 98  | 1  | Kegelrollenlager        | Bearing   |
| 24   | 341 522 99  | 1  | Stützscheibe            | Disk  |
| 25   | 500 431 98  | 1  | Kegelrollenlager        | Bearing   |
| 26   | 965 779 00  | 1  | Zwischenring            | Ring  |
| 27   | 760 701 00  | 1  | Mutter                  | Nut   |
| 31   | 761 281 73  | 1  | Kegelradantriebsgehäuse | Differential carrier  |
| 32   | 308 426 99  | 4  | Schraube                | Bolt  |
| 33   | 965 701 00  | 1  | Stelling                | Adjusting nut   |
| 34   | 965 774 00  | 1  | Stelling                | Adjusting nut   |
| 35   | 307 748 99  | 2  | Schraube                | Bolt  |
| 36   | 770 536 00  | 2  | Sicherungsblech         | Locking plate   |
| 37   | 320 007 99  | 10   | Schraube                | Bolt  |
| 38   | 307 998 99  | 7  | Schraube                | Bolt  |
| 39   | 319 486 99  | 2  | Schraube                | Bolt  |
| 40   | 345 108 99  | 2  | Spannhülse              | Dowel pin   |
| 48   | 762 327 73  | 1  | Antriebsflansch         | Drive flange  |
| 49   | 319 165 99  | 4  | Schraube                | Bolt  |
| 51   | -   | 4  | Schraube                | Bolt  |
| 53   | 997 147 00  | 1  | Deckel                  | Cover   |
| 54   | 307 781 99  | 8  | Schraube                | Bolt  |
| 56   | 502 164 98  | 1  | Wellendichtring         | Shaft seal  |
| 57   | 985 784 00  | 1  | Vorgelegegehäuse        | Countershaft housing  |
| 58   | 308 603 99  | 12   | Schraube                | Bolt  |
| 60   | 345 108 99  | 2  | Spannhülse              | Dowel sleeve  |
| 61   | 313 268 99  | 1  | Verschlußschraube       | Plug  |
| 62   | 340 243 99  | 1  | Dichtring               | Seal ring   |

**Achsantrieb**  
**Axle Drive**

**90-1998**

Seite/Page 4/6

| Bild-Nr<br>Fig<br>Fig<br>Fig<br>Fig<br>Bild nr | ET-Nr<br>Part-No<br>No. de Piece<br>No. de Pieza<br>No. del Pezzo<br>Detailj nr | Stückzahl<br>Qty<br>Qte<br>Ctd<br>Qta<br>Antal |                                     | Gegenstand<br>Description<br>Designation<br>Descripcion<br>Designazione<br>Benaemning |
|--|---|--|-------------------------------------|---|
| 63   | 313 129 99  | 2  | Verschlußschraube                   | Plug  |
| 64   | 339 714 99  | 2  | Dichtring                           | Seal ring   |
| 65   | 360 362 99  | 1  | Rillenkugellager                    | Grooved ball bearing  |
| 66   | 965 785 00  | 1  | Differentialgehäuse                 | Differential case   |
| 67   | 320 456 99  | 12   | Schraube                            | Bolt  |
| 68   | 965 786 00  | 1  | Lagerhäuse                          | Bearing sleeve  |
| 69   | 956 146 00  | 1  | Anlaufscheibe                       | Shim  |
| 70   | 965 787 00  | 1  | Achswellenrad                       | Drive shaft wheel   |
| 71   | 965 788 00  | 1  | Ausgleichskreuz                     | Diff. cross   |
| 72   | 965 789 00  | 4  | Ausgleichskegelrad                  | Differential bevel gear   |
| 73   | 965 790 00  | 4  | Lagerbüchse                         | Bearing bush  |
| 74   | 965 791 00  | 4  | Anlaufscheibe                       | Shim  |
| 75   | 965 792 00  | 1  | Achswellenrad                       | Drive shaft wheel   |
| 76   | 965 793 00  | 1  | Anlaufscheibe                       | Shim  |
| 77   | 965 794 00  | 1  | Lagerbüchse                         | Bearing bush  |
| 82   | 342 675 99  | 1  | Sicherungsring                      | Circlip   |
| 83   | 772 399 73  | 1  | Welle                               | Shaft   |
| 85   | 360 378 99  | 1  | Lager                               | Bearing   |
| 87   | 366 353 99  | 1  | Wellendichtring                     | Shaft seal  |
| 88   | 997 396 00  | 1  | Deckel                              | Cover   |
| 89   | 307 777 99  | 8  | Schraube                            | Bolt  |
| 90   | 363 014 99  | 1  | Rollenlager                         | Roller bearing  |
| 91   | 500 443 98  | 1  | Nilosring                           | Ring  |
| 92   | 363 174 99  | 1  | Rollenlager                         | Roller bearing  |
| 93   | 771 200 00  | 1  | Stelling                            | Set collar  |
| 94   | 965 800 00  | 1  | Sicherungsblech                     | Locking plate   |
| 95   | 307 750 99  | 2  | Schraube                            | Bolt  |
| 96   | 997 225 00  | 1  | Gehäusedeckel                       | Housing cover   |
| -  | 313 367 99  | 1  | Verschlußschraube<br>zu Bild-Nr. 96 | Plug<br>to fig-no. 96   |
| -  | 340 243 99  | 1  | Dichtring zu Bild-Nr. 96            | Seal ring to fig-no. 96   |
| 97   | 307 998 99  | 14   | Schraube                            | Bolt  |
| -  | 320 007 99  | 2  | Imbus-Schraube 55 mm lg.            | Hexagon socket  |
| 101  | 997 199 00  | 1  | Stützscheibe                        | Supporting disk   |
| 102  | 342 467 99  | 1  | Sicherungsring                      | Circlip   |
| 103  | -   | 4  | Schraube                            | Bolt  |
| 201  | 771 201 00  | 1  | Schaltgabel                         | Shift fork  |
| 202  | 340 610 99  | 2  | Scheibe                             | Washer  |
| 203  | 771 202 00  | 1  | Kolben                              | Piston  |
| 204  | 502 046 98  | 1  | O-Ring                              | O-ring  |
| 205  | 771 108 00  | 1  | Kolbenführungsring                  | Piston guide ring   |
| 206  | -   | 1  | Druckfeder                          | Pressure spring   |

**Achsantrieb**  
**Axle Drive**

**90-1998**

Seite/Page 5/6

| <b>Bild-Nr</b><br>Fig<br>Fig<br>Fig<br>Fig<br>Bild nr | <b>ET-Nr</b><br>Part-No<br>No. de Piece<br>No. de Pieza<br>No. del Pezzo<br>Detailj nr | <b>Stückzahl</b><br>Qty<br>Qte<br>Ctd<br>Qta<br>Antal |                    | <b>Gegenstand</b><br>Description<br>Designation<br>Descripcion<br>Designazione<br>Benaemning |
|---|--|---|--------------------|--|
| 209   | 501 364 98   | 1   | Verschlussschraube | Plug   |
| 210   | 501 636 98   | 1   | Dichtring          | Seal ring  |
| 211   | 502 048 98   | 1   | Kugel              | Ball   |
| 212   | 997 492 00   | 1   | Stößel-Schalter    | Tappet switch  |
| 213   | 771 203 00   | 1   | Schiebemuffe       | Sliding sleeve   |
| 221   | 771 080 00   | 1   | Schiebemuffe       | Sliding sleeve   |
| 222   | 771 081 00   | 1   | Schaltgabel        | Shifter fork   |
| 223   | 771 082 00   | 1   | Kolben             | Piston   |
| 224   | 502 046 98   | 1   | O-Ring             | O-ring   |
| 225   | 771 108 00   | 1   | Kolbenführungsring | Piston guide ring  |
| 226   | 771 083 00   | 1   | Druckfeder         | Pressure spring  |
| 227   | 772 507 73   | 1   | Zylinder           | Cylinder   |
| 228   | 304 136 99   | 2   | Schraube           | Bolt   |
| 250   | 965 795 00   | 1   | Vorgelegegehäuse   | Countershaft housing   |
| 251   | 308 603 99   | 15  | Schraube           | Bolt   |
| 252   | 343 112 99   | 15  | Federring          | Lock washer  |
| 253   | 344 819 99   | 2   | Zylinderstift      | Parallel pin   |
| 300   | 215 811 99   | -   | Ölzuflußrohr L=190 | Oil lead pipe  |