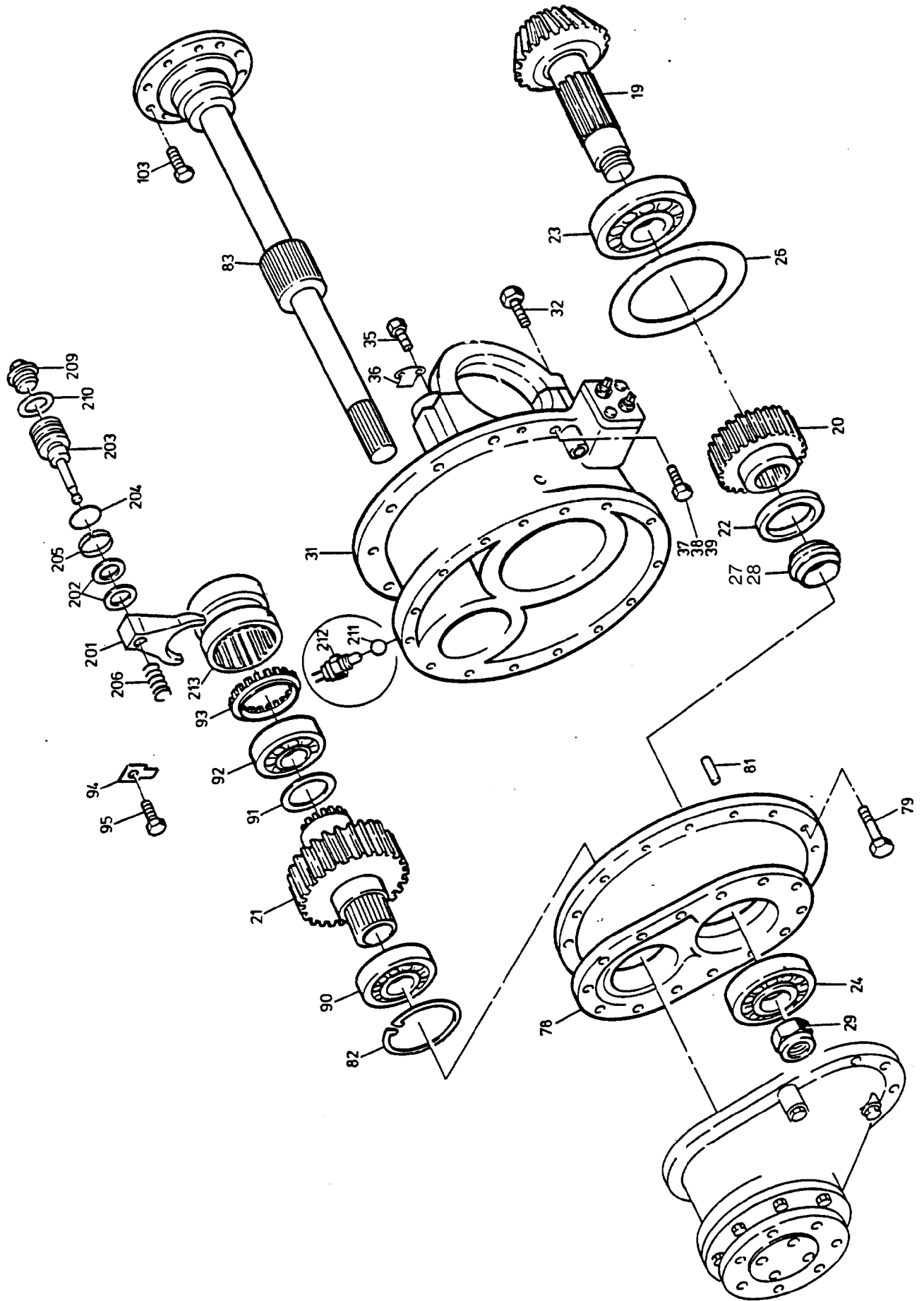


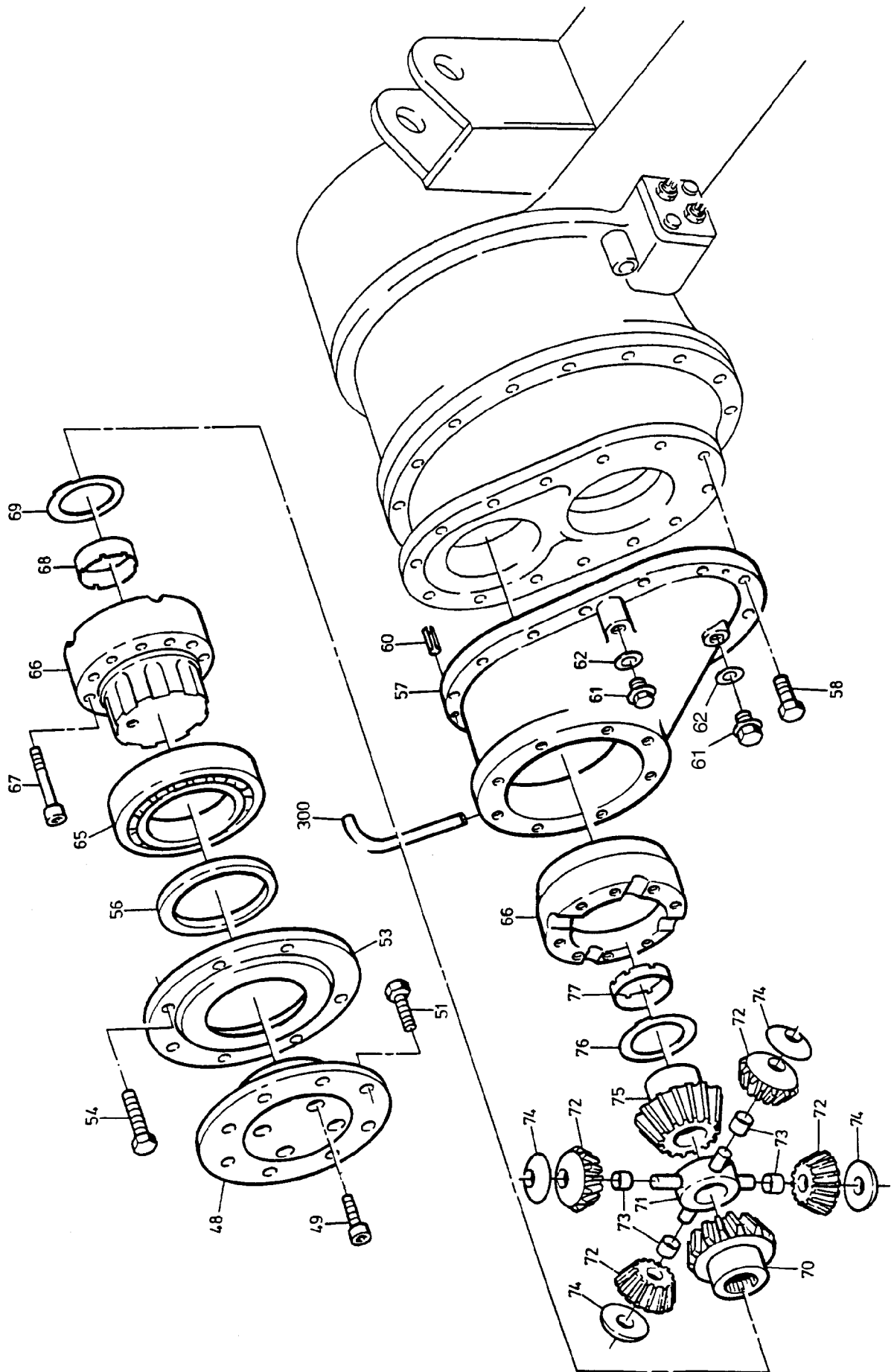
90-2586a

Seite/Page 1/6



90-2586a

Seite/Page 2/6



90-2586a

| Bild-Nr Fig Fig Fig Fig Bild nr | ET-Nr Part-No No. de Piece No. de Pieza No. del Pezzo Detalj nr | Stückzahl Qty Qte Ctd Qta Antal | | Gegenstand Description Designation Descripcion Designazione Benaemning |
|--|--|--|-------------------------|---|
| 01 | 771 197 00 | 1 | Differentialgehäusesatz | Differential housing set |
| 02 | 956 146 00 | 2 | Anlaufscheibe | Stop washer |
| 03 | 763 039 73 | 4 | Anlaufscheibe | Stop washer |
| 04 | 956 148 00 | 2 | Achswellenrad | Axle shaft wheel |
| 05 | 956 149 00 | 4 | Ausgleichkegelrad | Pinion |
| 06 | 956 150 00 | 1 | Differentialkreuz | Differential |
| 07 | 363 015 99 | 1 | Kegelrollenlager | Roller bearing |
| 08 | - | 1 | Kegelrollenlager | Roller bearing |
| 09 | 319 487 99 | 8 | Schraube | Screw |
| 10 | 307 612 99 | 16 | Schraube | Screw |
| 11 | 956 152 00 | 4 | Lagerbüchse | Bearing bush |
| 19 | 771 085 00 | 1 | Kegel- und Tellerrad | Ring and bevel gear |
| 20 | 965 775 00 | 1 | Zahnrad z=28 | Gear wheel |
| 21 | 771 296 00 | 1 | Zahnrad z=28 | Gear wheel |
| 22 | 500 434 98 | 1 | Dichtring | Seal ring |
| 23 | 500 432 98 | 1 | Rollenlager | Roller bearing |
| 24 | 500 431 98 | 1 | Rollenlager | Roller bearing |
| 26 | 341 522 99 | 1 | Stützscheibe | Disk |
| 27 | 763 131 73 | 1 | Zwischenring | Intermediate ring |
| 28 | 771 077 00 | 1 | Zwischenring | Intermediate ring |
| 29 | 760 701 00 | 1 | Mutter | Nut |
| 31 | 761 281 73 | 1 | Kegelradantriebsgehäuse | Housing, bevel-gear drive |
| 32 | 308 426 99 | 4 | Schraube | Screw |
| 33 | 965 701 00 | 1 | Stelling | Set collar |
| 35 | 307 748 99 | 2 | Schraube | Screw |
| 36 | 770 536 00 | 2 | Sicherungsbleche | Locking plate |
| 37 | 511 943 98 | 13 | Schraube | Screw |
| 38 | 319 488 99 | 5 | Schraube | Screw |
| 39 | 308 811 99 | 2 | Schraube | Screw |
| 48 | 997 228 00 | 1 | Antriebsflansch | Drive flange |
| 49 | 319 165 99 | 4 | Schraube | Screw |
| 51 | 307 233 99 | 10 | Schraube | Screw |
| 53 | 763 101 73 | 1 | Deckel | Cover |
| 54 | 307 781 99 | 8 | Schraube | Screw |
| 56 | - | 1 | Dichtring | Seal ring |
| 57 | 965 784 00 | 1 | Vorgelegegehäuse | Countershaft housing |
| 58 | 319 436 99 | 12 | Schraube | Screw |
| 60 | 345 108 99 | 2 | Spannhülse | Dowel sleeve |
| 61 | 313 184 99 | 2 | Verschlußschraube | Screw plug |
| 62 | 511 905 98 | 2 | Dichtring | Seal ring |

**Achsantrieb
Axle Drive**

90-2586a

Seite/Page 4/6

| Bild-Nr Fig Fig Fig Fig Bild nr | ET-Nr Part-No No. de Piece No. de Pieza No. del Pezzo Detalj nr | Stückzahl Qty Qte Ctd Qta Antal | | Gegenstand Description Designation Descripcion Designazione Benaemning |
|--|--|--|---------------------|---|
| 65 | 360 362 99 | 1 | Kugellager | Ball bearing |
| 66 | 965 785 00 | 1 | Differentialgehäuse | Differential housing |
| 67 | 320 456 99 | 12 | Schraube | Screw |
| 68 | 965 786 00 | 1 | Lagerhülse | Bearing sleeve |
| 69 | 956 146 00 | 1 | Anlaufscheibe | Stop washer |
| 70 | 965 787 00 | 1 | Achswellenrad | Drive shaft wheel |
| 71 | 965 788 00 | 1 | Ausgleichskreuz | Differential |
| 72 | 965 789 00 | 4 | Ausgleichskegelrad | Differential bevel gear |
| 73 | 965 790 00 | 4 | Lagerbüchse | Bearing bush |
| 74 | 965 791 00 | 4 | Anlaufscheibe | Stop washer |
| 75 | 965 792 00 | 1 | Achswellenrad | Drive shaft wheel |
| 76 | 965 793 00 | 1 | Anlaufscheibe | Stop washer |
| 77 | 965 794 00 | 1 | Lagerbuchse | Bearing bush |
| 78 | 965 795 00 | 1 | Vorgelegegehäuse | Countershaft housing |
| 79 | 319 269 99 | 15 | Schraube | Screw |
| 81 | 345 108 99 | 2 | Spannhülse | Dowel sleeve |
| 82 | 342 675 99 | 1 | Sicherungsring | Circlip |
| 83 | 997 224 00 | 1 | Welle | Shaft |
| 85 | 360 378 99 | 1 | Lager | Bearing |
| 86 | 511 412 98 | 1 | Wellendichtring | Shaft seal |
| 88 | 780 544 73 | 1 | Deckel | Cover |
| 89 | 307 777 99 | 8 | Schraube | Screw |
| 90 | 363 014 99 | 1 | Rollenlager | Roller bearing |
| 91 | 500 443 98 | 1 | Nilosring | Ring |
| 92 | 363 174 99 | 1 | Rollenlager | Roller bearing |
| 93 | 771 200 00 | 1 | Stelling | Set collar |
| 94 | 965 800 00 | 1 | Sicherungsblech | Locking plate |
| 95 | 307 750 99 | 2 | Schraube | Screw |
| 96 | 997 225 00 | 1 | Gehäusedeckel | Housing cover |
| 97 | 511 943 98 | 16 | Schraube | Screw |
| 101 | 997 199 00 | 1 | Stützscheibe | Supporting ring |
| 102 | 342 467 99 | 1 | Sicherungsring | Circlip |
| 103 | 307 825 99 | 10 | Schraube | Screw |
| 201 | 771 201 00 | 1 | Schaltgabel | Shift fork |
| 202 | 772 501 73 | 1 | Buchse | Bushing |
| 203 | 772 502 73 | 1 | Kolben | Piston |
| 204 | - | 1 | Nut-Ring | V-seal |
| 205 | 771 108 00 | 1 | Kolbenführungsring | Guide ring |
| 206 | - | 1 | Druckfeder | Pressure spring |
| 209 | 501 634 98 | 1 | Verschlußschraube | Screw plug |
| 210 | 501 636 98 | 1 | Dichtring | Seal ring |

Achsantrieb
Axle Drive

90-2586a

Seite/Page 5/6

| Bild-Nr Fig Fig Fig Fig Bild nr | ET-Nr Part-No No. de Piece No. de Pieza No. del Pezzo Detalj nr | Stückzahl Qty Qte Ctd Qta Antal | | Gegenstand Description Designation Descripcion Designazione Benaemning |
|---|---|---|--------------------|--|
| 211 | 502 048 98 | 1 | Kugel | Ball |
| 212 | 997 492 00 | 1 | Stößel-Schalter | Tappet switch |
| 213 | 771 092 00 | 1 | Schiebemuffe | Sliding sleeve |
| 221 | 771 080 00 | 1 | Schiebemuffe | Sliding sleeve |
| 222 | 771 081 00 | 1 | Schaltgabel | Shifter fork |
| 223 | 771 082 00 | 1 | Kolben | Piston |
| 224 | 502 046 98 | 1 | O-Ring | O-ring |
| 225 | 771 108 00 | 1 | Kolbenführungsring | Guide ring |
| 226 | 771 083 00 | 1 | Druckfeder | Spring |
| 227 | 772 507 73 | 1 | Zylinder | Cylinder |
| 228 | 308 576 99 | 2 | Schraube | Screw |
| 300 | 215 811 99 | - | Ölzuflußrohr L=190 | Oil lead pipe |
| - | 761 093 73 | 1 | Entlüftung | Breather |

Achsantrieb
Axle Drive

90-2586a

Seite/Page 6/6