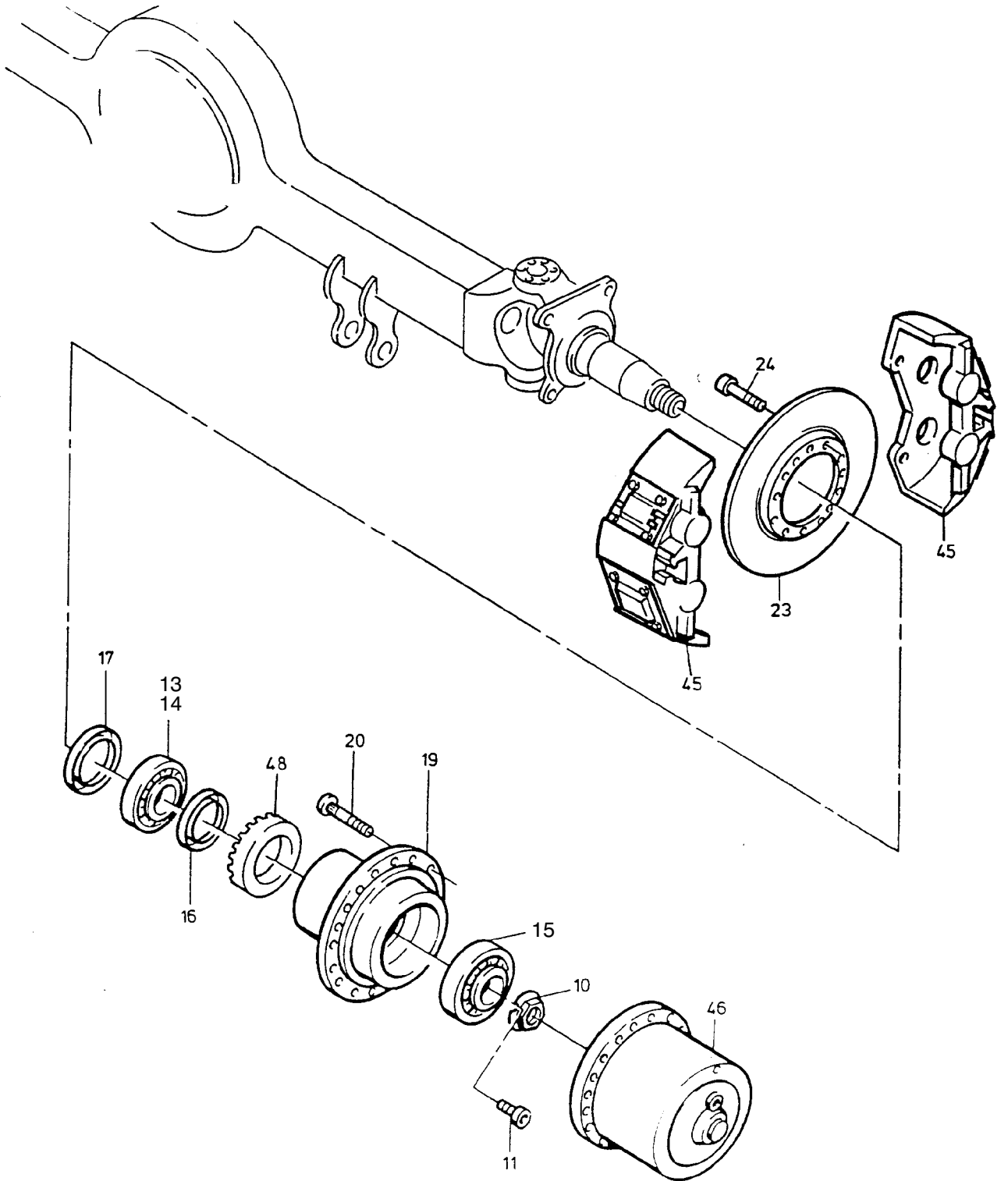


90-3077



90-3077

| Bild-Nr Fig Fig Fig Fig Bild nr | ET-Nr Part-No No. de Piece No. de Pieza No. del Pezzo Detailj nr | Stückzahl Qty Qte Ctd Qta Antal | | Gegenstand Description Designation Descripcion Designazione Benaemning |
|------------------------------------------------|---------------------------------------------------------------------------------|------------------------------------------------|------------------------------|---------------------------------------------------------------------------------------|
| 00 | 604 662 40 | 1 | Lenktriebachse, kpl. | Steering drive axle, assy. |
| - | 761 093 73 | nB | Entlüfter | Breather |
| 01 | 763 064 73 | 1 | Achsgehäuse | Axle housing |
| 04 | 313 396 99 | 1 | Verschlussschraube | Screw plug |
| 05 | 339 888 99 | 1 | Dichtring | Seal ring |
| 06 | 763 049 73 | 2 | Gelenkwelle | Joint shaft |
| 07 | 505 420 98 | 4 | Wellendichtring | Seal ring |
| 07 | 511 410 98 | 4 | Wellendichtring | Seal ring |
| 08 | 500 213 98 | 6 | Sprengring | Snap ring |
| 09 | 500 191 98 | 4 | Nadellager | Needle bearing |
| 10 | 997 415 00 | 2 | Wellenmutter | Shaft nut |
| 11 | 350 362 99 | 2 | Schraube | Bolt |
| 13 | 957 340 00 | 2 | Kegelrollenlagerinnenring | Tapered roller bearing cup |
| 14 | 957 339 00 | 2 | Kegelrollenlageraußenring | Tapered roller bearing cone |
| 15 | 363 167 99 | 2 | Kegelrollenlager | Tapered roller bearing |
| 16 | 006 749 98 | 2 | Dichtring | Seal ring |
| 17 | 500 200 98 | 2 | Dichtring | Seal ring |
| 19 | 772 371 73 | 2 | Radnabe | Wheel hub |
| 20 | 780 502 73 | 20 | Radbolzen | Wheel bolt |
| 23 | 770 529 00 | 2 | Bremstrommel | Brake drum |
| 24 | 320 362 99 | 4 | Schraube | Bolt |
| 25 | 763 065 73 | 1 | Spurhebel, rechts | Lever r.h. |
| 26 | 763 066 73 | 1 | Spurhebel, links | Lever l.h. |
| 27 | 763 067 73 | 1 | Lenkhebel | Steering lever |
| 28 | 771 047 00 | 1 | Deckel, rechts | Cover r.h. |
| 29 | 307 615 99 | 12 | Schraube | Bolt |
| 30 | 350 385 99 | 6 | Schraube zu Bild-Nr. 28 | Bolt to fig-no. 28 |
| 31 | 319 301 99 | 3 | Schraube zu Bild-Nr. 27 | Bolt to fig-no. 27 |
| 32 | 367 122 99 | 2 | O-Ring | O-ring |
| 33 | 350 562 99 | 4 | Schmiernippel | Fitting |
| 34 | 761 709 73 | 1 | Spurstange | Track rod |
| 35 | 770 523 00 | 2 | Lagerbuchse | Bush |
| - | 780 163 73 | 2 | Anlaufscheibe zu Bild-Nr. 35 | Stop washer to fig-no. 35 |
| 36 | 965 719 00 | 2 | Anlaufscheibe | Stop washer |
| 37 | 779 858 73 | 2 | Achsschenkelbolzen | Steering knuckle pin |
| 38 | 771 346 00 | 2 | Lagerbuchse | Bush |
| 39 | 771 051 00 | 2 | Achsschenkelbolzen | Steering knuckle pin |
| 40 | 772 284 00 | 2 | Federbock | Support |
| 41 | 319 311 99 | 2 | Schraube | Bolt |
| 42 | 345 629 99 | 2 | Zylinderstift | Parallel pin |
| 43 | 777 770 73 | 2 | Achsschenkel | Steering knuckle |
| Lenktriebachse 4 | | | | 90-3077 |
| Steering Drive Axle 4 | | | | Seite/Page 3/4 |

| Bild-Nr Fig Fig Fig Fig Bild nr | ET-Nr Part-No No. de Piece No. de Pieza No. del Pezzo Detailj nr | Stückzahl Qty Qte Ctd Qta Antal | | Gegenstand Description Designation Description Designazione Benaemning |
|---------------------------------------------------------|----------------------------------------------------------------------------------------|-------------------------------------------------------|--------------------------------------------|----------------------------------------------------------------------------------------------|
| 45 | - | 2 | Bremse siehe EL-Blatt 90-3072 | Brake see page 90-3072 |
| 46 | - | 2 | Planetengetriebe siehe EL-Blatt 90-4856 | Planetary gear see page 90-4856 |
| 47 | - | 1 | Achsantrieb siehe EL-Blatt 90-3143 | Axle drive see page 90-3143 |
| 48 | 780 483 73 | 1 | Polrad | Pole wheel |
| - | 313 386 99 | 2 | Verschlußschraube | Plug |
| - | 340 086 99 | 2 | Dichtring | Seal ring |
| Lenktriebachse 4 Steering Drive Axle 4 | | | | 90-3077 Seite/Page 4/4 |