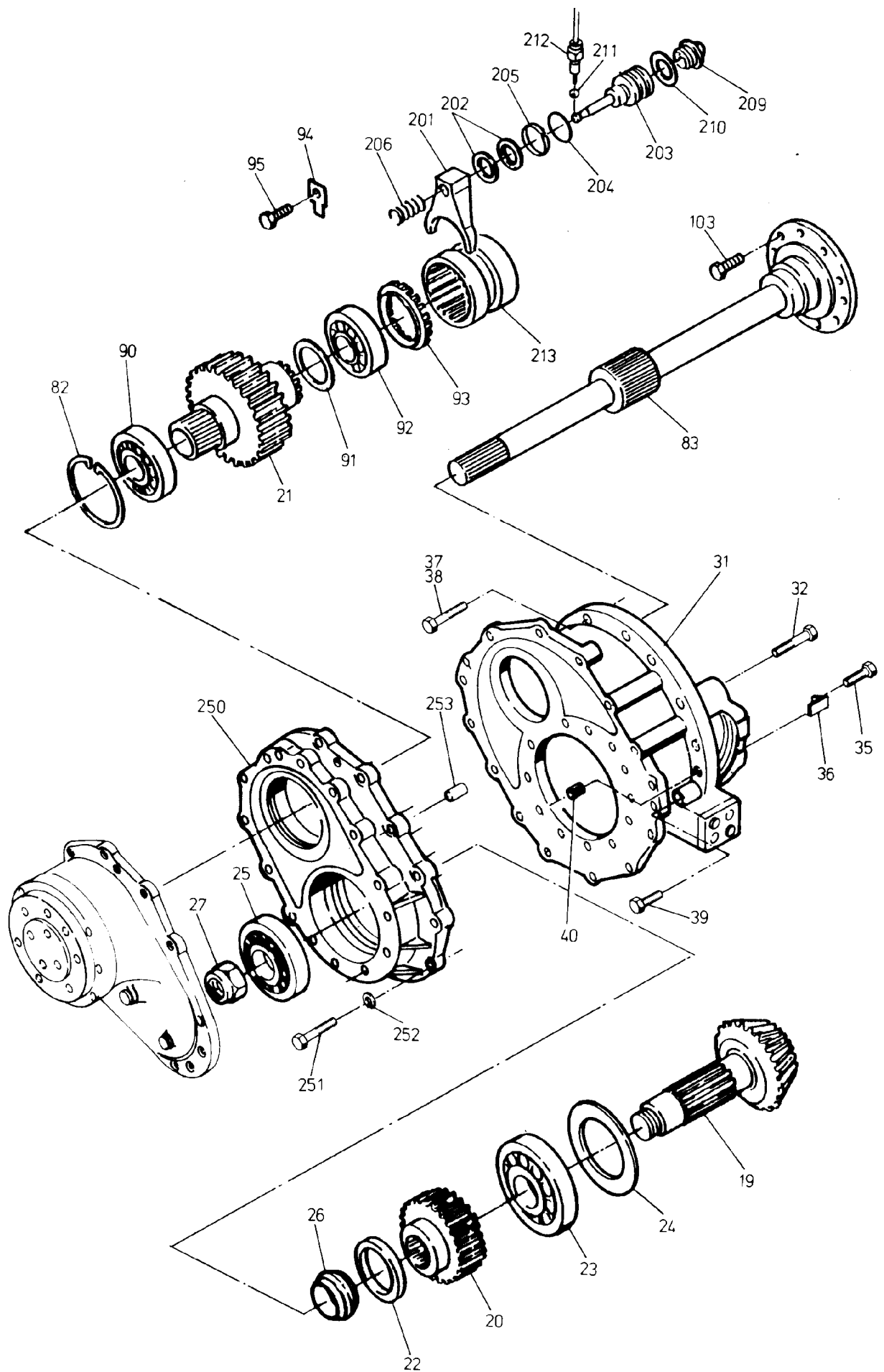


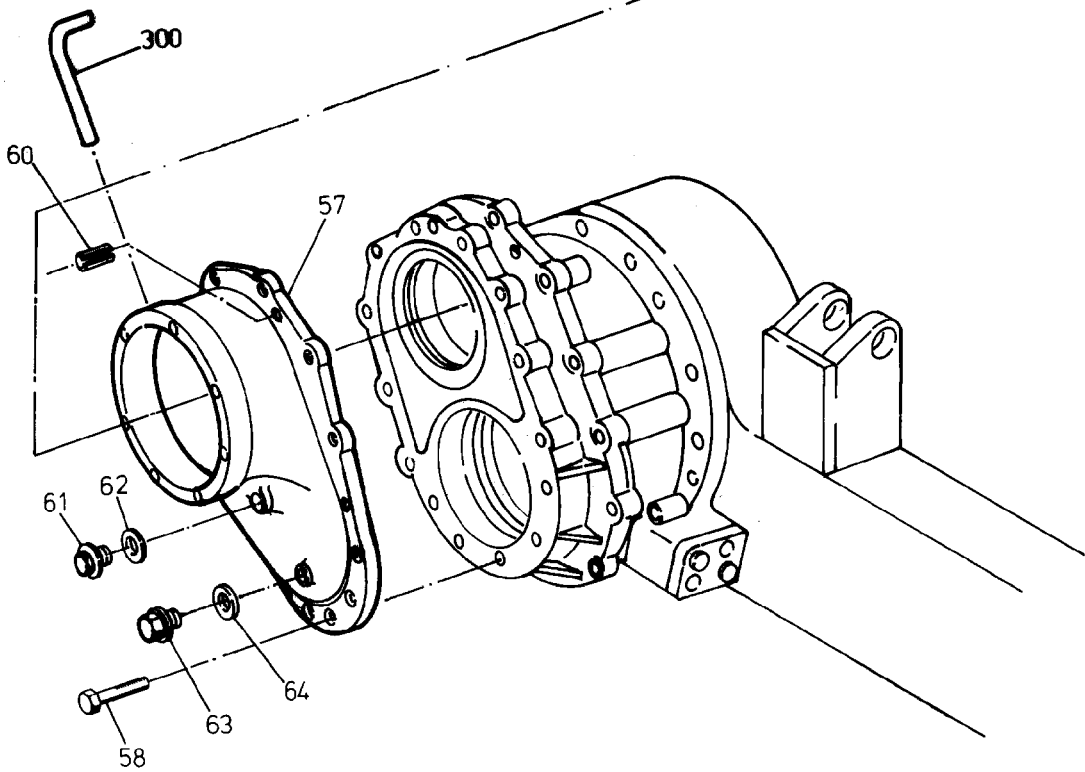
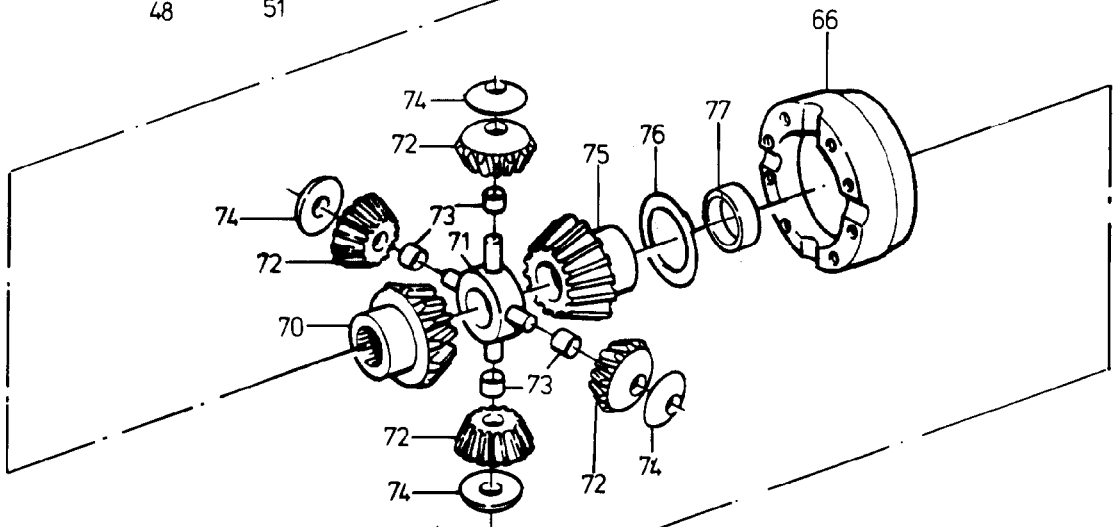
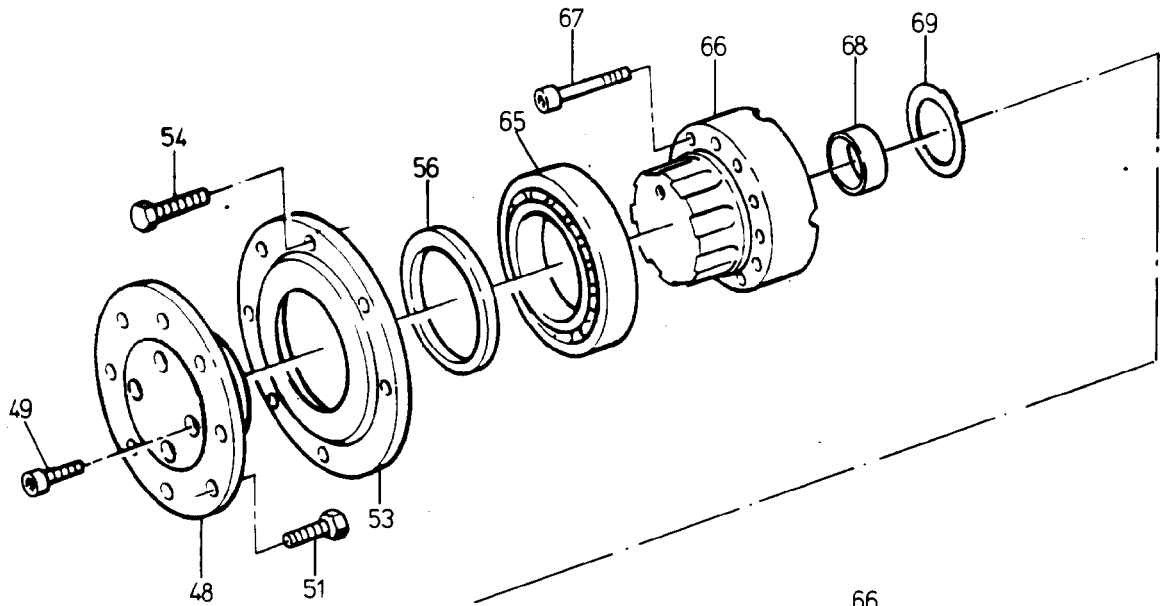
90-3206

Seite/Page 1 / 6



90-3206

Seite/Page 2 / 6



| Bild- Nr Fig Fig Fig Fig Bild nr | ET-Nr Part-No No. de Piece No. de Pieza No. del Pezzo Detalj nr | Stückzahl Qty Qte Ctd Qta Antal | | Gegenstand Description Designation Descripcion Designazione Benaemning |
|---|--|--|-------------------------|---|
| 01 | 771 197 00 | 1 | Differentialgehäusesatz | Differential housing set |
| 02 | 997 476 00 | 2 | Anlaufscheibe | Stop washer |
| 03 | 956 147 00 | 4 | Anlaufscheibe | Stop washer |
| 04 | 956 148 00 | 2 | Achswellenrad | Axle shaft wheel |
| 05 | 956 149 00 | 4 | Ausgleichkegelrad | Pinion |
| 06 | 956 150 00 | 1 | Differentialkreuz | Differential |
| 07 | 363 015 99 | 1 | Rollenlager | Roller bearing |
| 08 | 500 198 98 | 1 | Rollenlager | Roller bearing |
| 09 | 319 487 99 | 8 | Schraube | Bolt |
| 10 | 307 612 99 | 16 | Schraube | Bolt |
| 11 | 956 152 00 | 4 | Lagerbüchse | Bearing bush |
| 19 | 772 500 73 | 1 | Kegel- u. Tellerrad | Cone and ring gear |
| 20 | 771 992 73 | 1 | Zahnrad Z=25 | Gear |
| 21 | 771 198 00 | 1 | Zahnrad Z=32 | Gear |
| 22 | 500 434 98 | 1 | Wellendichtring | Seal ring |
| 23 | 500 432 98 | 1 | Kegelrollenlager | Bearing |
| 24 | 341 522 99 | 1 | Stützscheibe | Disk |
| 25 | 500 431 98 | 1 | Kegelrollenlager | Bearing |
| 26 | 965 779 00 | 1 | Zwischenring | Ring |
| 27 | 760 701 00 | 1 | Mutter | Nut |
| 31 | 761 281 73 | 1 | Kegelradantriebsgehäuse | Differential carrier |
| 32 | 308 426 99 | 4 | Schraube | Bolt |
| 33 | 965 701 00 | 1 | Stelling | Adjusting nut |
| 34 | 965 774 00 | 1 | Stelling | Adjusting nut |
| 35 | 307 748 99 | 2 | Schraube | Bolt |
| 36 | 770 536 00 | 2 | Sicherungsblech | Locking plate |
| 37 | 320 007 99 | 10 | Schraube | Bolt |
| 38 | 307 998 99 | 7 | Schraube | Bolt |
| 39 | 319 486 99 | 2 | Schraube | Bolt |
| 40 | 345 108 99 | 2 | Spannhülse | Dowel pin |
| 48 | 762 327 73 | 1 | Antriebsflansch | Drive flange |
| 49 | 319 165 99 | 4 | Schraube | Bolt |
| 51 | - | 4 | Schraube | Bolt |
| 53 | 997 147 00 | 1 | Deckel | Cover |
| 54 | 307 781 99 | 8 | Schraube | Bolt |
| 56 | 502 164 98 | 1 | Wellendichtring | Shaft seal |
| 57 | 985 784 00 | 1 | Vorgelegegehäuse | Countershaft housing |
| 58 | 308 603 99 | 12 | Schraube | Bolt |
| 60 | 345 108 99 | 2 | Spannhülse | Dowel sleeve |
| 61 | 313 268 99 | 1 | Verschlußschraube | Plug |

**Achsantrieb
Axle Drive**

90-3206

Seite/Page 4 / 6

| Bild-Nr Fig Fig Fig Fig Bild nr | ET-Nr Part-No No. de Piece No. de Pieza No. del Pezzo Detalj nr | Stückzahl Qty Qte Ctd Qta Antal | | Gegenstand Description Designation Descripción Designazione Benaeming |
|--|--|--|-------------------------------------|--|
| 62 | 340 243 99 | 1 | Dichtring | Seal ring |
| 63 | 313 129 99 | 2 | Verschlußschraube | Plug |
| 64 | 339 714 99 | 2 | Dichtring | Seal ring |
| 65 | 360 362 99 | 1 | Rillenkugellager | Grooved ball bearing |
| 66 | 965 785 00 | 1 | Differentialgehäuse | Differential case |
| 67 | 320 456 99 | 12 | Schraube | Bolt |
| 68 | 965 786 00 | 1 | Lagerhäuse | Bearing sleeve |
| 69 | 956 146 00 | 1 | Anlaufscheibe | Shim |
| 70 | 965 787 00 | 1 | Achswellenrad | Drive shaft wheel |
| 71 | 965 788 00 | 1 | Ausgleichskreuz | Diff. cross |
| 72 | 965 789 00 | 4 | Ausgleichskegelrad | Differential bevel gear |
| 73 | 965 790 00 | 4 | Lagerbüchse | Bearing bush |
| 74 | 965 791 00 | 4 | Anlaufscheibe | Shim |
| 75 | 965 792 00 | 1 | Achswellenrad | Drive shaft wheel |
| 76 | 965 793 00 | 1 | Anlaufscheibe | Shim |
| 77 | 965 794 00 | 1 | Lagerbüchse | Bearing bush |
| 82 | 342 675 99 | 1 | Sicherungsring | Circlip |
| 83 | 772 399 73 | 1 | Welle | Shaft |
| 85 | 360 378 99 | 1 | Lager | Bearing |
| 87 | 366 353 99 | 1 | Wellendichtring | Shaft seal |
| 88 | 997 396 00 | 1 | Deckel | Cover |
| 89 | 307 777 99 | 8 | Schraube | Bolt |
| 90 | 363 014 99 | 1 | Rollenlager | Roller bearing |
| 91 | 500 443 98 | 1 | Nilosring | Ring |
| 92 | 363 174 99 | 1 | Rollenlager | Roller bearing |
| 93 | 771 200 00 | 1 | Stellring | Set collar |
| 94 | 965 800 00 | 1 | Sicherungsblech | Locking plate |
| 95 | 307 750 99 | 2 | Schraube | Bolt |
| 96 | 997 225 00 | 1 | Gehäusedeckel | Housing cover |
| - | 313 367 99 | 1 | Verschlußschraube zu Bild-Nr. 96 | Plug to fig-no. 96 |
| - | 340 243 99 | 1 | Dichtring zu Bild-Nr. 96 | Seal ring to fig-no. 96 |
| 97 | 307 998 99 | 14 | Schraube | Bolt |
| - | 320 007 99 | 2 | Imbus-Schraube 55 mm lg. | Hexagon socket |
| 101 | 997 199 00 | 1 | Stützscheibe | Supporting disk |
| 102 | 342 467 99 | 1 | Sicherungsring | Circlip |
| 103 | - | 4 | Schraube | Bolt |
| 201 | 771 201 00 | 1 | Schaltgabel | Shift fork |
| 202 | 340 610 99 | 2 | Scheibe | Washer |
| 203 | 771 202 00 | 1 | Kolben | Piston |
| 204 | 502 046 98 | 1 | O-Ring | O-ring |

**Achsantrieb
Axle Drive**

90-3206

Seite/Page 5 / 6

| Bild-Nr Fig Fig Fig Fig Bild nr | ET-Nr Part-No No. de Piece No. de Pieza No. del Pezzo Detalj nr | Stückzahl Qty Qte Ctd Qta Antal | | Gegenstand Description Designation Descripcion Designazione Benaemning |
|--|--|--|--------------------|---|
| 205 | 771 108 00 | 1 | Kolbenführungsring | Piston guide ring |
| 206 | - | 1 | Druckfeder | Pressure spring |
| 209 | 501 364 98 | 1 | Verschlussschraube | Plug |
| 210 | 501 636 98 | 1 | Dichtring | Seal ring |
| 211 | 502 048 98 | 1 | Kugel | Ball |
| 212 | 997 492 00 | 1 | Stößel-Schalter | Tappet switch |
| 213 | 771 203 00 | 1 | Schiebemuffe | Sliding sleeve |
| 221 | 771 080 00 | 1 | Schiebemuffe | Sliding sleeve |
| 222 | 771 081 00 | 1 | Schaltgabel | Shifter fork |
| 223 | 771 082 00 | 1 | Kolben | Piston |
| 224 | 502 046 98 | 1 | O-Ring | O-ring |
| 225 | 771 108 00 | 1 | Kolbenführungsring | Piston guide ring |
| 226 | 771 083 00 | 1 | Druckfeder | Pressure spring |
| 227 | 772 507 73 | 1 | Zylinder | Cylinder |
| 228 | 304 136 99 | 2 | Schraube | Bolt |
| 250 | 965 795 00 | 1 | Vorgelegegehäuse | Countershaft housing |
| 251 | 308 603 99 | 15 | Schraube | Bolt |
| 252 | 343 112 99 | 15 | Federring | Lock washer |
| 253 | 344 819 99 | 2 | Zylinderstift | Parallel pin |
| 300 | 215 811 99 | - | Ölzuflußrohr L=190 | Oil lead pipe |

Achsantrieb
Axle Drive

90-3206

Seite/Page 6 / 6