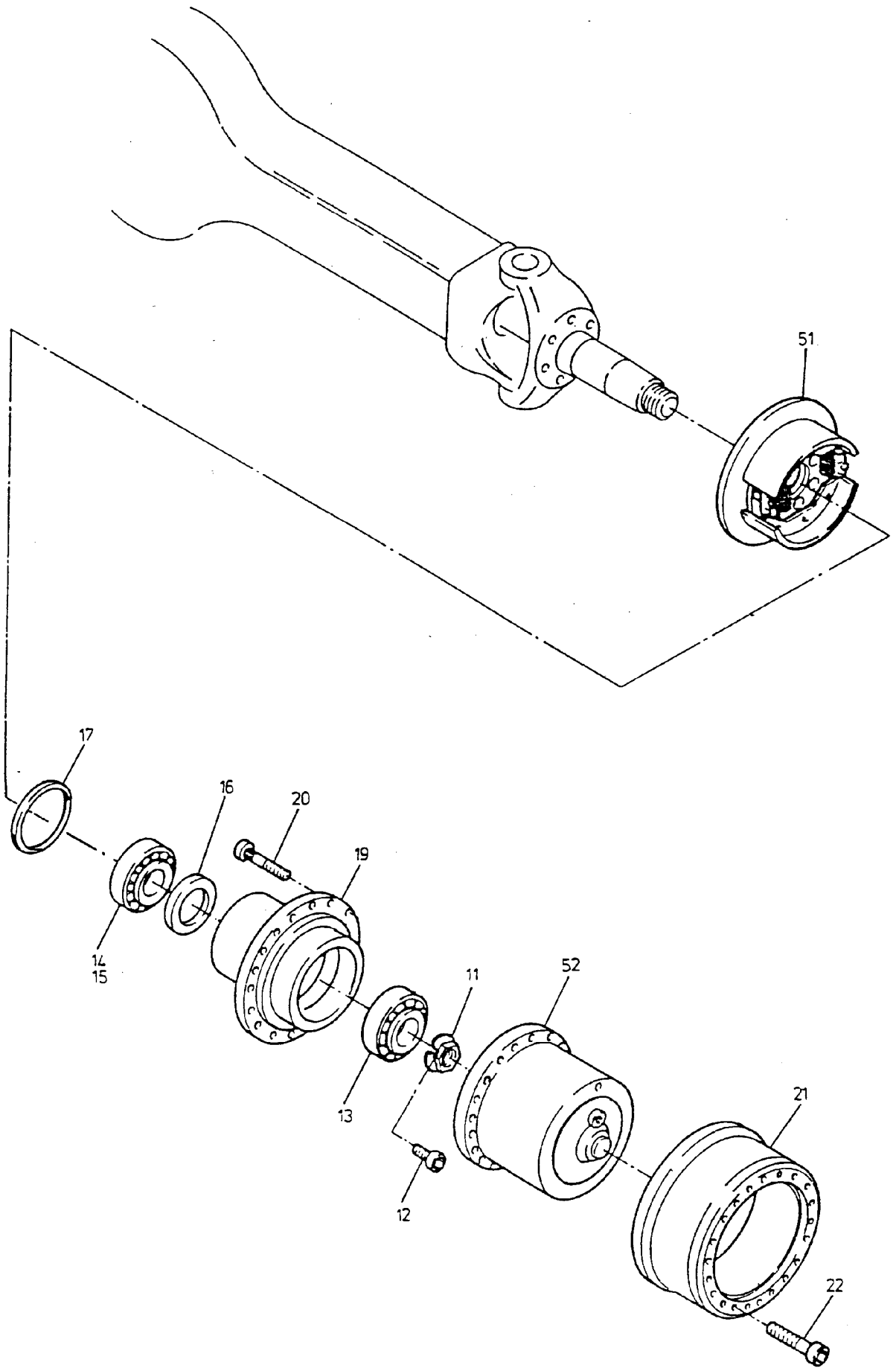


90-4823



90-4823

| Bild-Nr Fig Fig Fig Fig Bild nr | ET-Nr Part-No No. de Piece No. de Pieza No. del Pezzo Detailj nr | Stückzahl Qty Qte Ctd Qta Antal | | Gegenstand Description Designation Descripcion Designazione Benaemning |
|--|---|--|---------------------------------------|---|
| 00 | 432 058 40 | 1 | Lenktriebachse, kpl. | Steering drive axle assy. |
| 01 | 778 172 73 | 1 | Achsgehäuse | Axle housing |
| 04 | 313 396 99 | 1 | Verschlußschraube | Plug |
| 05 | 339 714 99 | 1 | Dichtring | Seal |
| 06 | 688 294 00 | 1 | Gelenkwelle, links | Cardan joint shaft, l.h. |
| 07 | 771 196 00 | 1 | Gelenkwelle, rechts | Cardan joint shaft, r.h. |
| 08 | 500 215 98 | 8 | Dichtring | Seal ring |
| 09 | 500 213 98 | 6 | Sprengring | Snap ring |
| 10 | 500 191 98 | 4 | Nadellager | Needle bearing |
| 11 | 997 415 00 | 2 | Wellenmutter | Shaft nut |
| 12 | 350 362 99 | 2 | Schraube | Bolt |
| 13 | 363 167 99 | 2 | Kegelrollenlager | Taper roller bearing |
| 14 | 957 340 00 | 2 | Rollenlager / Innenring | Roller bearing - inner race |
| 15 | 957 339 00 | 2 | Rollenlager - Außenring | Roller bearing - outer race |
| 16 | 006 749 98 | 2 | Radialdichtring | Oil-seal ring |
| 17 | 500 200 98 | 2 | Radialdichtring | Oil-seal ring |
| 19 | 779 924 73 | 2 | Radnabe | Wheel hub |
| 20 | 965 729 00 | 20 | Radbolzen | Wheel nut |
| 21 | 779 925 73 | 2 | Bremstrommel | Brake drum |
| 22 | 320 271 99 | 4 | Schraube | Bolt |
| 23 | 779 932 73 | 1 | Spurhebel, links | Track rod lever, l.h. |
| 24 | 779 933 73 | 1 | Spurhebel, rechts | Track rod lever, r.h. |
| 25 | 778 173 73 | 1 | Lenkhebel, links | Steering lever, l.h. |
| 26 | 779 934 73 | 1 | Lenkhebel, rechts | Steering lever, r.h. |
| 27 | 307 615 99 | 12 | Schraube L=60 | Bolt |
| 28 | 319 301 99 | 16 | Schraube | Bolt |
| 29 | 367 122 99 | 2 | O-Ring | O-ring |
| 30 | 350 562 99 | 4 | Schmiernippel | Nippel |
| 31 | 771 287 00 | 1 | Spurstange | Crosstie |
| 32 | 956 139 00 | 2 | Lagerbuchse, unten | Bearing bush, below |
| 33 | 965 719 00 | 2 | Anlaufscheibe | Stop washer |
| 34 | 779 858 73 | 2 | Achsschenkelbolzen, unten | Steering knuckle pin, below |
| 35 | 771 346 00 | 2 | Lagerbuchse, oben | Bearing bush, top |
| 36 | 771 051 00 | 2 | Achsschenkelbolzen, oben | Steering knuckle pin, top |
| 37 | 771 284 00 | 2 | Federbock | Spring block |
| 38 | 319 301 99 | 2 | Schraube | Bolt |
| 39 | 345 256 99 | 2 | Zylinderstift | Parallel pin |
| 40 | 779 928 73 | 2 | Achsschenkel | Steering knuckle |
| 50 | 401 083 12 | 1 | Achsantrieb siehe EL-Blatt 90-2564 | Axle drive see page 90-2564 |
| 51 | - | | Bremse siehe EL-Blatt 90-4126 | Brake see page 90-4126 |
| 2. Lenktriebachse | | | | 90-4823 |
| 2. Steering Drive Axle | | | | |
| | | | | Seite/Page 3/4 |

| Bild-Nr Fig Fig Fig Fig Bild nr | ET-Nr Part-No No. de Piece No. de Pieza No. del Pezzo Detailj nr | Stückzahl Qty Qte Ctd Qta Antal | | Gegenstand Description Designation Descripcion Designazione Benaemning |
|---|---|--|--|---|
| 52 | - | | Planetengetriebe siehe EL-Blatt 90-4742 | Planetary gear see page 90-4742 |
| 2. Lenktriebachse 2. Steering Drive Axle | | | 90-4823 Seite/Page 4/4 | |