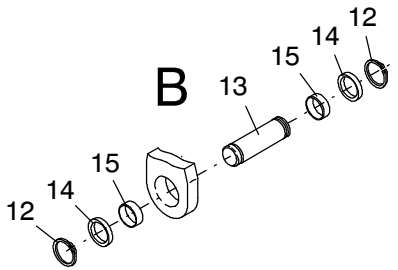
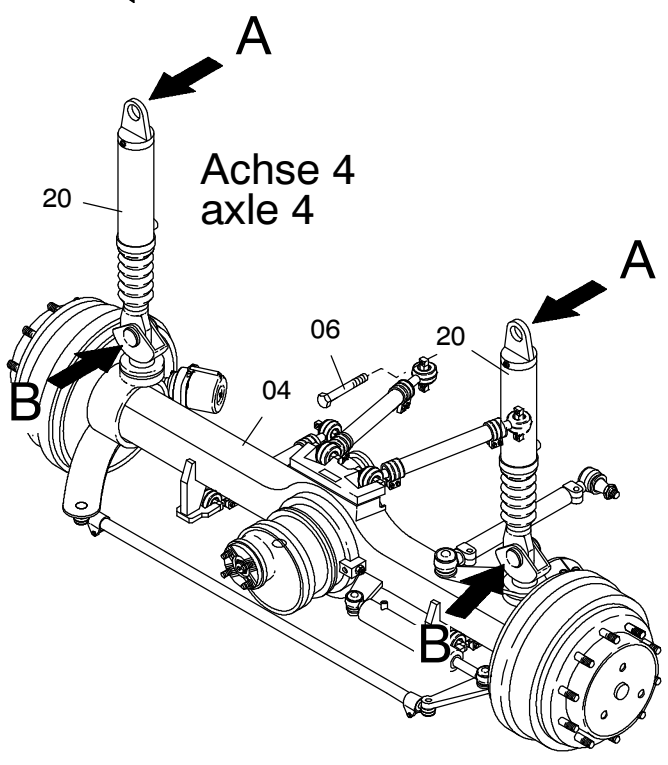
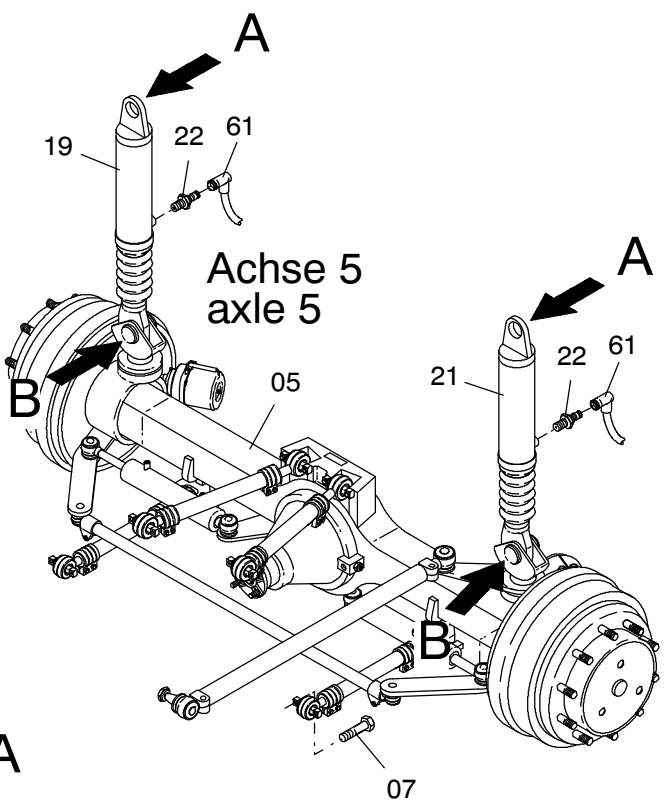
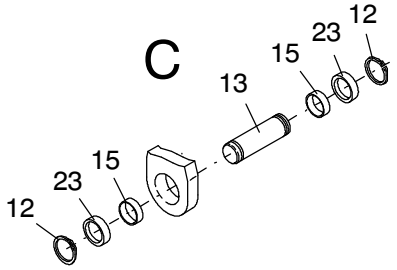
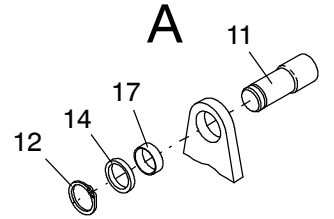
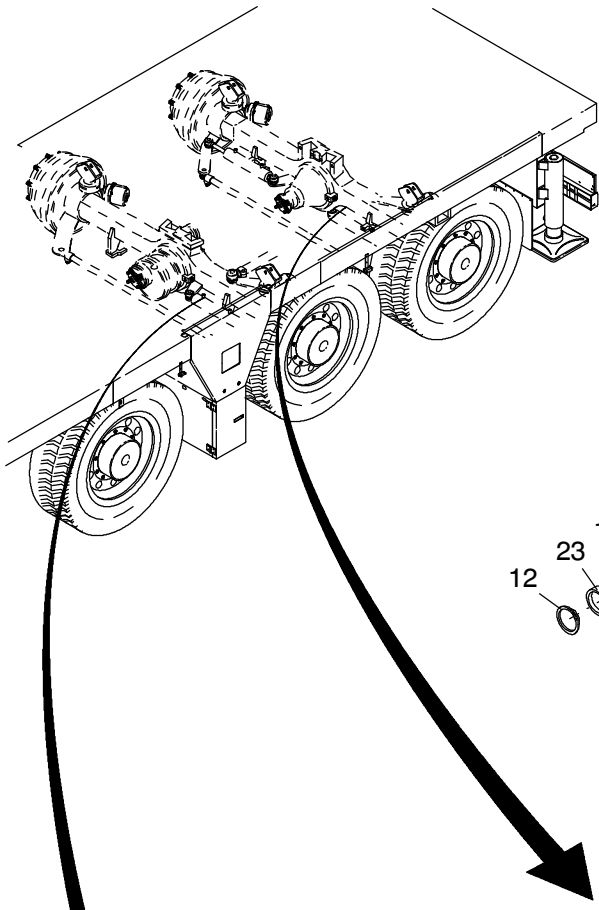


910-3601d

Seite/Page 1 / 3



**910-3601d**

| Bild-Nr<br>Fig<br>Fig<br>Fig<br>Fig<br>Bild nr | ET-Nr<br>Part-No<br>No. de Piece<br>No. de Pieza<br>No. del Pezzo<br>Detalj nr | Stückzahl<br>Qty<br>Qte<br>Ctd<br>Qta<br>Antal |   | Gegenstand<br>Description<br>Designation<br>Descripcion<br>Designazione<br>Benaemning |
|--|--|--|---|---|
| 01   | 672 826 40   | 1  | Achseinbau Achse 1<br>s. EL-Blatt 910-3606c, etc. | Axle mounting 1<br>see page 910-3606c, etc.   |
| 02   | 672 832 40   | 1  | Achseinbau Achse 2<br>s. EL-Blatt 910-3611d, etc. | Axle mounting 2<br>see page 910-3611d, etc.   |
| 03   | 547 453 40   | 1  | Achseinbau Achse 3<br>s. EL-Blatt 910-3615c, etc. | Axle mounting 3<br>see page 910-3615c, etc.   |
| 04   | 672 824 40   | 1  | Achseinbau Achse 4<br>s. EL-Blatt 910-3620d, etc. | Axle mounting 4<br>see page 910-3620d, etc.   |
| 05   | 672 825 40   | 1  | Achseinbau Achse 5<br>s. EL-Blatt 910-3625c, etc. | Axle mounting 5<br>see page 910-3625c, etc.   |
| 06   | 125 155 99   | 20   | Schraube  | Bolt  |
| 07   | 504 812 98   | 20   | Schraube  | Bolt  |
| 11   | 542 591 40   | 10   | Bolzen, ø45mm                                     | Pin, ø45mm  |
| 12   | 342 540 99   | 30   | Sicherungsring                                    | Circlip   |
| 13   | 542 625 40   | 10   | Bolzen ø40mm                                      | Pin, ø40mm  |
| 14   | 339 513 99   | 26   | Scheibe   | Washer  |
| 15   | 542 624 40   | 20   | Distanzring, t=10,7mm                             | Spacer ring, t=10,7mm   |
| 17   | 542 623 40   | 10   | Distanzring, t=8,5mm                              | Spacer ring, t=8,5mm  |
| 18   | 416 030 40   | 1  | Federungszyylinder<br>s. EL-Blatt 90-1729         | Suspension cylinder<br>see page 90-1729   |
| 19   | 001 225 12   | 2  | Federungszyylinder<br>s. EL-Blatt 993-1136        | Suspension cylinder<br>see page 993-1136  |
| 20   | 387 500 40   | 4  | Federungszyylinder<br>s. EL-Blatt 90-1716         | Suspension cylinder<br>see page 90-1716   |
| 21   | 001 224 12   | 1  | Federungszyylinder<br>s. EL-Blatt 993-1137        | Suspension cylinder<br>see page 993-1137  |
| 22   | 654 249 40   | 6  | Näherungsschalter                                 | Induction switch  |
| 23   | 546 610 40   | 4  | Ringblech   | Ring sheet  |
| 32   | 510 606 98   | 4  | Schraube  | Bolt  |
| 34   | 455 756 40   | 2  | Federungszyylinder<br>s. EL-Blatt 90-0723         | Suspension cylinder<br>see page 90-0723   |
| 61   | 420 470 12   | 6  | Initiatorstecker mit Kabel, 5m                    | Initiator plug with cable, 5m   |

**Achseinbau 10x8x8  
Axle Mounting 10x8x8**

**910-3601d**

Seite/Page 3 / 3