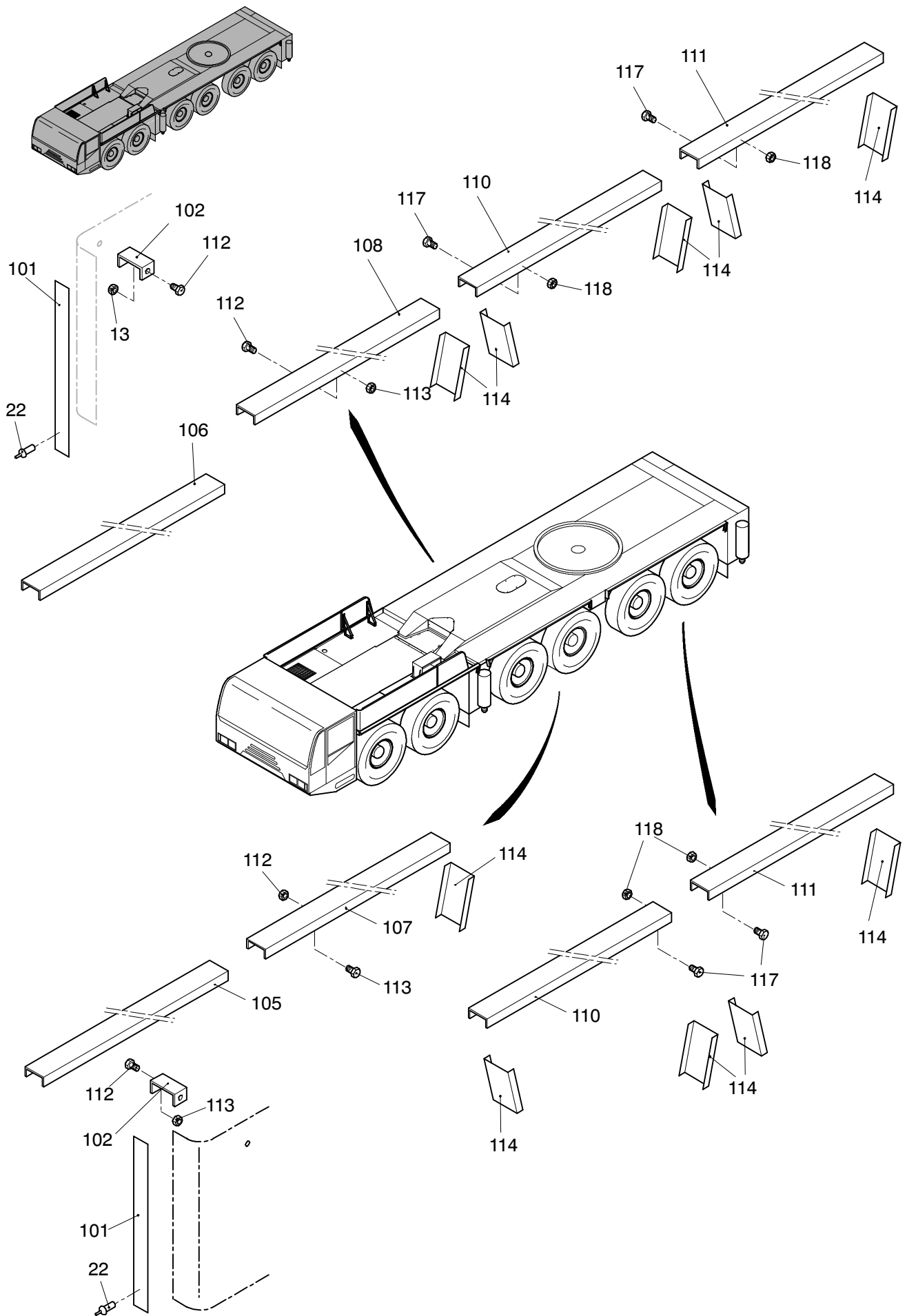


924-1006

Seite/Page 2 / 5



| Bild-Nr Fig Fig Fig Fig Bild nr | ET-Nr Part-No No. de Piece No. de Pieza No. del Pezzo Detalj nr | Stückzahl Qty Qte Ctd Qta Antal | | Gegenstand Description Designation Descripcion Designazione Benaemning |
|--|--|--|---------------|---|
| 01 | 874 452 40 | 1 | Abdeckblech | Cover plate |
| 02 | 874 453 40 | 1 | Abdeckblech | Cover plate |
| 03 | 874 454 40 | 1 | Abdeckblech | Cover plate |
| 04 | 874 455 40 | 1 | Abdeckblech | Cover plate |
| 05 | 874 457 40 | 1 | Kotflügel | Feder extension |
| 07 | 874 458 40 | 1 | Kotflügel | Feder extension |
| 08 | 874 459 40 | 1 | Kotflügel | Feder extension |
| 09 | 874 460 40 | 1 | Blende | Orifice |
| 10 | 874 461 40 | 1 | Blende | Orifice |
| 11 | 874 462 40 | 1 | Schürze | Protection cover |
| 12 | 874 463 40 | 1 | Schürze | Protection cover |
| 13 | 874 464 40 | 1 | Gitter | Grid |
| 14 | 513 957 98 | 50 | Schraube | Bolt |
| 15 | 350 766 99 | 50 | Scheibe | Washer |
| 16 | 320 068 99 | 50 | Mutter | Nut |
| 17 | 874 465 40 | 2 | Seitenwand | Side panel |
| 18 | 874 466 40 | 1 | Seitenwand | Side panel |
| 19 | 874 467 40 | 1 | Seitenwand | Side panel |
| 20 | 874 468 40 | 3 | Halter | Retainer |
| 21 | 875 565 40 | 1 | Halter | Retainer |
| 22 | 270 722 40 | 120 | Bolzen | Pin |
| 24 | 888 904 40 | 2 | Blech | Plate |
| 28 | 004 703 98 | 50 | Schraube | Bolt |
| 30 | 504 212 98 | 4 | Mutter | Nut |
| 31 | 307 597 99 | 3 | Schraube | Bolt |
| 32 | 234 225 40 | 3 | Schmutzfänger | Dirt trap |
| 33 | 875 300 40 | 1 | Abdeckung | Cover |
| 34 | 888 186 40 | 1 | Abdeckblech | Cover plate |
| 41 | 874 355 40 | 1 | Abdeckblech | Cover plate |
| 42 | 874 356 40 | 1 | Abdeckblech | Cover plate |
| 43 | 874 357 40 | 1 | Abdeckblech | Cover plate |
| 44 | 874 358 40 | 1 | Abdeckblech | Cover plate |
| 46 | 874 676 40 | 1 | Abdeckblech | Cover plate |
| 47 | 874 395 40 | 1 | Abdeckblech | Cover plate |
| 48 | 874 396 40 | 1 | Abdeckblech | Cover plate |
| 49 | 874 397 40 | 1 | Abdeckblech | Cover plate |
| 50 | 874 398 40 | 1 | Abdeckblech | Cover plate |
| 51 | 874 673 40 | 1 | Abdeckblech | Cover plate |
| 52 | 874 400 40 | 1 | Kotflügel | Fender extension |
| 53 | 874 451 40 | 1 | Kotflügel | Fender extension |

**Unterwagenabdeckung
Chassis Covers, 6 Axles**

924-1006

Seite/Page 4 / 5

| Bild-Nr Fig Fig Fig Fig Bild nr | ET-Nr Part-No No. de Piece No. de Pieza No. del Pezzo Detalj nr | Stückzahl Qty Qte Ctd Qta Antal | | Gegenstand Description Designation Descripcion Designazione Benaemning |
|--|--|--|--------------------|---|
| 57 | 415 018 40 | 4 | Leiter | Ladder |
| 58 | 334 681 99 | 10 | Mutter | Nut |
| 59 | 504 207 98 | 10 | Schraube | Bolt |
| 60 | 340 465 99 | 10 | Scheibe | Washer |
| 61 | 180 425 40 | 8 | Leiterbefestigung | Mount of ladder |
| 63 | 874 401 40 | 1 | Abdeckblech | Cover plate |
| 64 | 243 649 40 | 4 | Unterlegkeil | Chock |
| 65 | | 4 | Unterlegkeilhalter | Retaining device for chock |
| 67 | 875 593 40 | 1 | Abdeckblech | Cover plate |
| 68 | 875 594 40 | 1 | Abdeckblech | Cover plate |
| 69 | 875 595 40 | 1 | Abdeckblech | Cover plate |
| 70 | 875 596 40 | 1 | Abdeckblech | Cover plate |
| 71 | 888 537 40 | 1 | Abdeckblech | Cover plate |
| 81 | 874 781 40 | 1 | Schürze | Protection cover |
| 82 | 874 732 40 | 1 | Schürze | Protection cover |
| 83 | 874 782 40 | 1 | Schürze | Protection cover |
| 84 | 874 733 40 | 1 | Schürze | Protection cover |
| 101 | 875 754 40 | 2 | Blech | Plate |
| 102 | 889 232 40 | 4 | Halter | Retainer |
| 105 | 875 756 40 | 1 | Blechprofil | Plate profile |
| 106 | 875 757 40 | 1 | Blechprofil | Plate profile |
| 107 | 875 758 40 | 1 | Blechprofil | Plate profile |
| 108 | 875 759 40 | 1 | Blechprofil | Plate profile |
| 110 | 888 438 40 | 2 | Blechprofil | Plate profile |
| 111 | 888 439 40 | 2 | Blechprofil | Plate profile |
| 112 | 307 576 99 | 60 | Schraube | Bolt |
| 113 | 334 673 99 | 60 | Mutter | Nut |
| 114 | 889 233 40 | 6 | Abschlußblech | End plate |
| 117 | 307 646 99 | 90 | Schraube | Bolt |
| 118 | 320 068 99 | 90 | Mutter | Nut |

**Unterwagenabdeckung
Chassis Covers, 6 Axles**

924-1006

Seite/Page 5 / 5