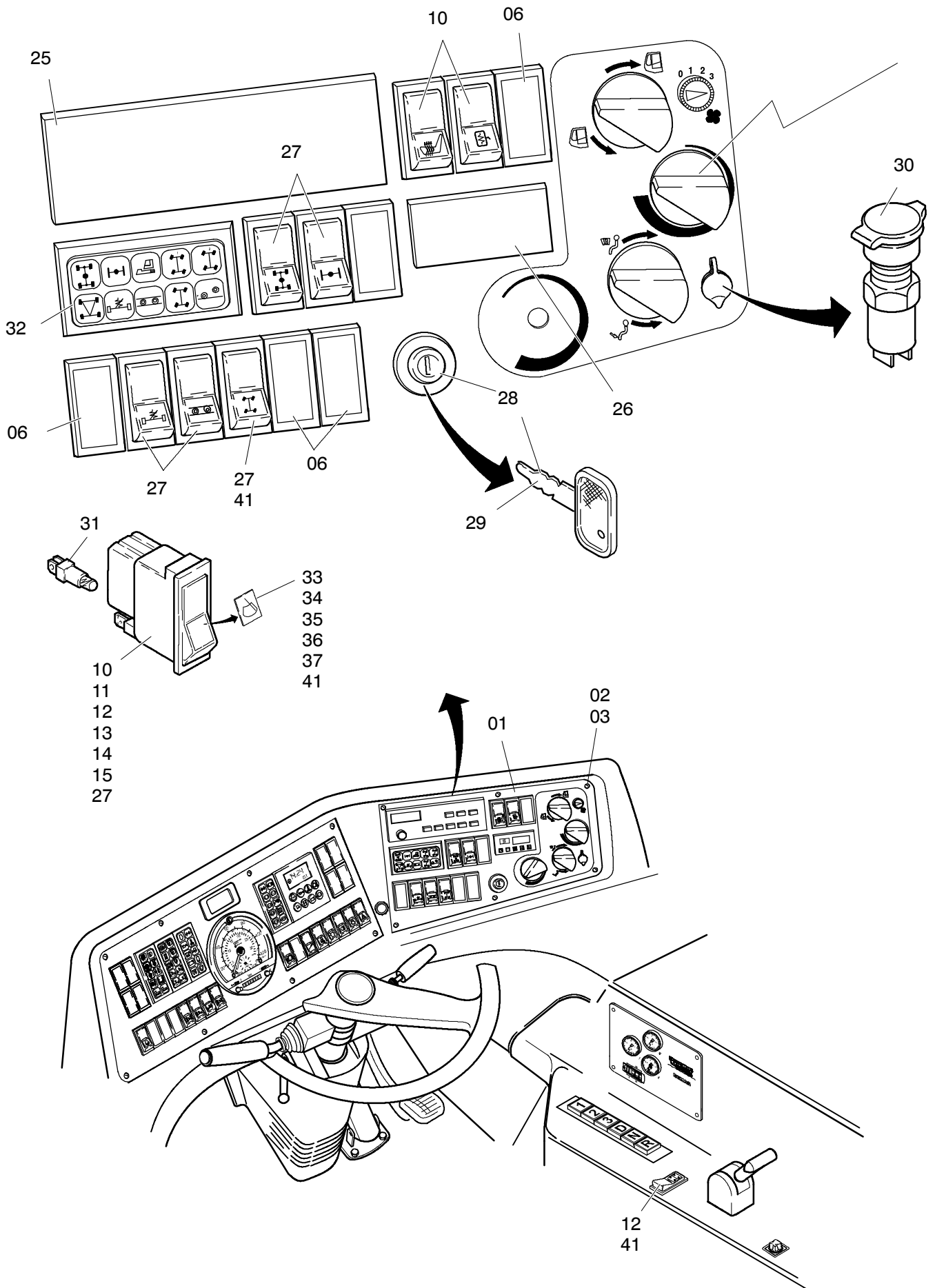


**968-2110a**



| Bild-Nr<br>Fig<br>Fig<br>Fig<br>Fig<br>Bild nr | ET-Nr<br>Part-No<br>No. de Piece<br>No. de Pieza<br>No. del Pezzo<br>Detalj nr | Stückzahl<br>Qty<br>Qte<br>Ctd<br>Qta<br>Antal |                               | Gegenstand<br>Description<br>Designation<br>Descripcion<br>Designazione<br>Benaemning |
|--|--|--|-------------------------------|---|
| 01   | 670 709 40   | 1  | Armaturenbleche               | Instrument board panels   |
| 02   | 507 049 98   | 17   | Schraube                      | Screw   |
| 03   | 490 943 40   | 17   | Rosette                       | Fitting   |
| 04   | 411 922 12   | 1  | Anzeiginstrument              | Indicator   |
| 05   | 001 654 12   | 1  | Blindkappe                    | Blind cap   |
| 06   | 363 410 40   | 20   | Blindplatte                   | Blank plate   |
| 07   | 417 386 40   | 1  | Zigarettenanzünder            | Cigarette lighter   |
| 08   | 414 018 40   | 1  | Tastenkippsschalter           | Push-toggle switch  |
| 09   | 461 232 40   | 1  | Tastenkippsschalter           | Push-toggle switch  |
| 10   | 524 991 40   | 5  | Tastenkippsschalter           | Push-toggle switch  |
| 11   | 551 036 40   | 3  | Tastenkippsschalter           | Push-toggle switch  |
| 12   | 551 038 40   | 5  | Tastenkippsschalter           | Push-toggle switch  |
| 13   | 131 306 12   | 1  | Meldeleuchtenmodul            | Indicator light modul   |
| 14   | 131 307 12   | 1  | Meldeleuchtenmodul            | Indicator light modul   |
| 15   | 131 308 12   | 1  | Meldeleuchtenmodul            | Indicator light modul   |
| 16   | 131 309 12   | 1  | Meldeleuchtenmodul            | Indicator light modul   |
| 17   | 654 267 40   | 1  | Tachograph (Km/h)             | Tachograph (Km/h)   |
| 18   | 000 168 12   | 1  | Tachograph (mph)              | Tachograph (mph)  |
| 25   |  | 1  | Blindplatte, Radio            | Blank plate   |
| 26   | 655 143 40   | 1  | Blindplatte                   | Blank plate   |
| 27   | 461 507 40   | 6  | Tastenkippsschalter           | Push-toggle switch  |
| 28   | 654 186 40   | 1  | Zündstartschalter             | Ignition switch   |
| 29   | 973 934 73   | 1  | Schlüssel                     | Key   |
| 30   | 490 582 40   | 1  | Steckdose                     | Built-in socket   |
| 31   | 001 602 12   | 6  | Glühlampe                     | Bulb  |
| 32   | 131 314 12   | 1  | Meldeleuchtenmodul            | Indicator light modul   |
| 33   | 670 694 40   | 1  | Symboleinsätze                | Set of symbols  |
| 34   | 461 191 40   | 1  | Symbol "Warnblinkanlage"      | Symbolic "hazard"   |
| 35   | 490 498 40   | 1  | Symbol "heizb. Aussenspiegel" | Symbolic "exterior mirror, heatable"  |
| 36   | 000 841 12   | 1  | Symbol "Sitzheizung"          | Symbolic, "Seat heating"  |
| 37   | 461 749 40   | 1  | Symbol "Hauptlicht"           | Symbolic "beam"   |
| 41   | 515 398 40   | 2  | Symbol "Hundegang"            | Symbolic "Crab walk"  |
| 50   | 412 166 12   | 1  | Display, Ganganzeige          | Display, shift indicator  |
| 51   | 654 259 40   | 1  | Tachogebler-Leitung           | Speed transmitter cable   |

**Armatureninstallation  
Instrument panel**

**968-2110a**

Seite/Page 3 / 3