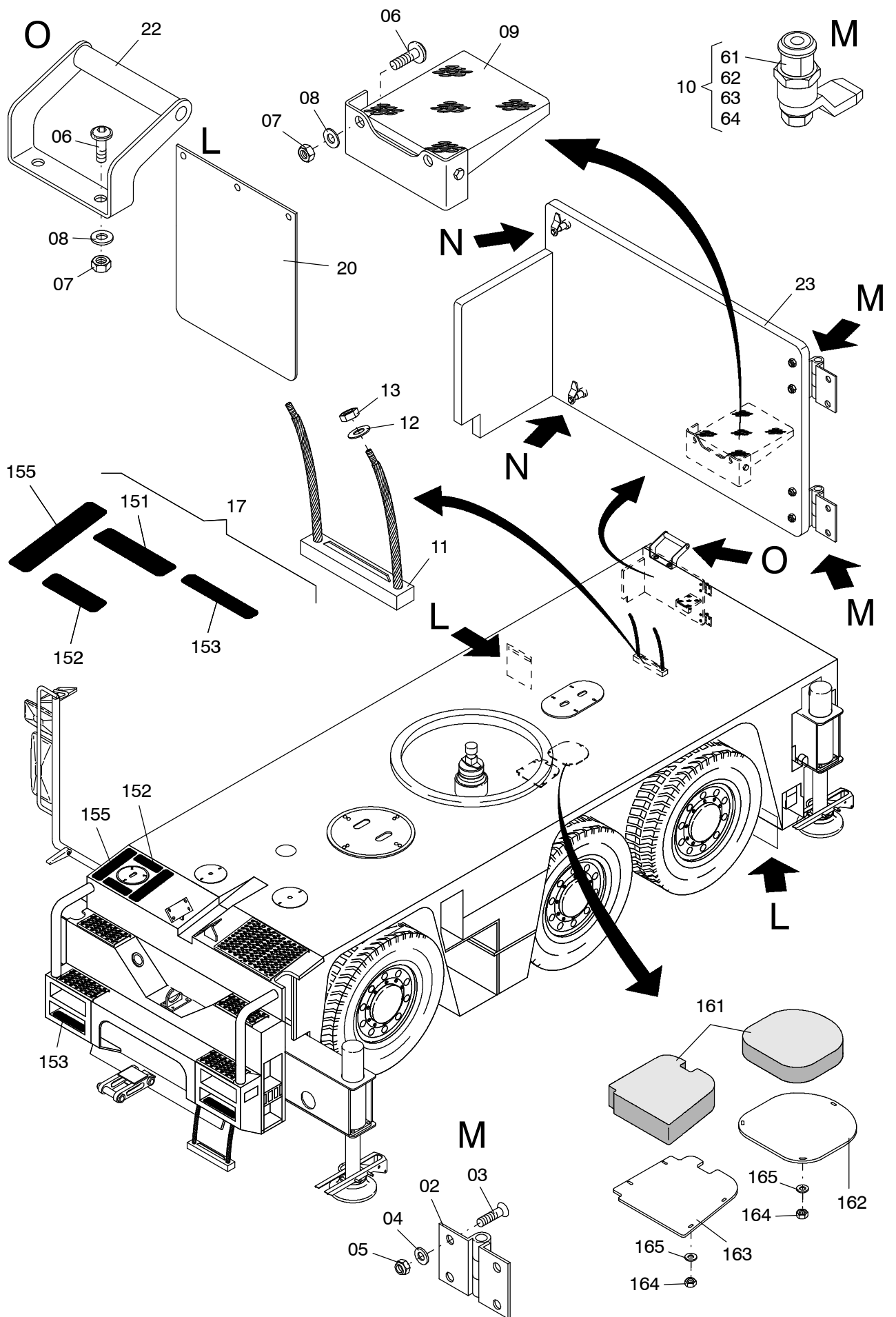


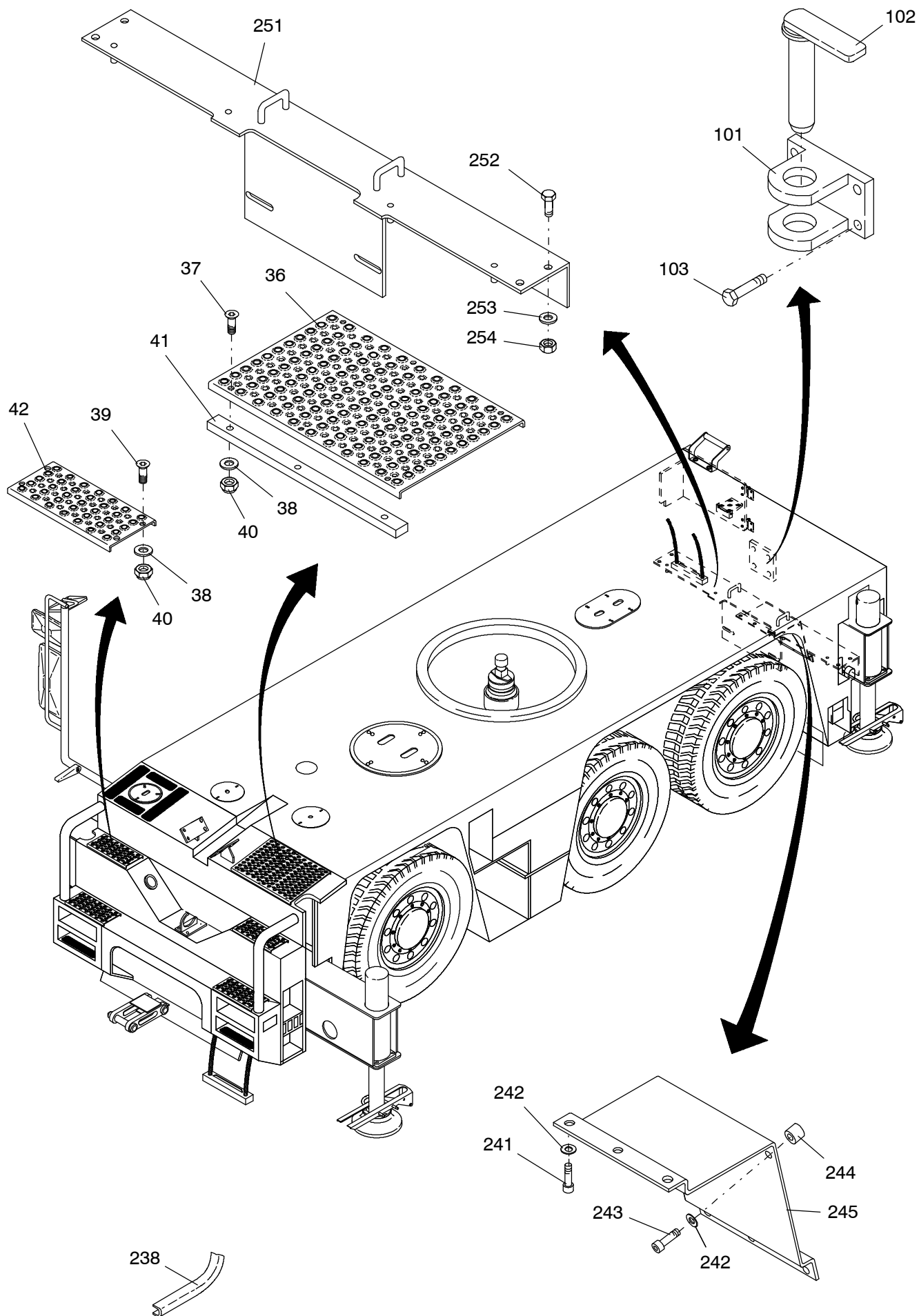
970-1002d

Seite/Page 1 / 6



970-1002d

Seite/Page 2 / 6



970-1002d

Seite/Page 3 / 6

| Bild-Nr Fig Fig Fig Fig Bild nr | ET-Nr Part-No No. de Piece No. de Pieza No. del Pezzo Detalj nr | Stückzahl Qty Qte Ctd Qta Antal | | Gegenstand Description Designation Descripcion Designazione Benaemning |
|--|--|--|---|---|
| 02 | 001 106 12 | 2 | Schanier | Hinge |
| 03 | 510 531 98 | 8 | Schraube | Screw |
| 04 | 340 506 99 | 8 | Scheibe | Washer |
| 05 | 509 869 98 | 8 | Mutter | Nut |
| 06 | 509 759 98 | 12 | Schraube | Screw |
| 07 | 509 862 98 | 5 | Mutter | Nut |
| 08 | 510 321 98 | 5 | Scheibe | Washer |
| 09 | 001 105 12 | 1 | Klappptritt | Fold-away step |
| 10 | 673 647 40 | 2 | Vorreiber best. aus Bild 41-44 | Sash lock consist of fig-no. 41-44 |
| 11 | 001 151 12 | 2 | Aufstieg | Ascent |
| 12 | 510 314 98 | 4 | Scheibe | Washer |
| 13 | 509 863 98 | 4 | Mutter | Nut |
| 15 | 551 052 40 | 1 | Sicherheitsklappstecker | Safety pin |
| 16 | 151 356 99 | 1 | Bolzen | Pin |
| 17 | 303 567 12 | 1 | Anti-Rutschbelag, kpl. best aus Bild-Nr. 151-155 | Non-slip floor, assy. consist. of fig no. 151-155 |
| 18 | 000 657 12 | 4 | Kegelstopfen | Plug, tapered |
| 20 | 234 225 40 | 2 | Schmutzfänger | Dirt trap |
| 21 | 303 739 12 | 1 | Zuglasche | Bugle |
| 22 | 302 505 12 | 1 | Griff | Handle |
| 23 | 673 641 40 | 1 | Verkleidung Luftfilter rechts | Covering air filter |
| 24 | 243 649 40 | 2 | Unterlegkeil | Chock |
| 25 | 243 648 40 | 2 | Unterlegkeilhalter | Retaining device for chock |
| 26 | 304 450 12 | 2 | Klappleiter | Hinge ladder |
| 27 | 509 795 98 | 2 | Schraube | Bolt |
| 28 | 510 314 98 | 6 | Scheibe | Washer |
| 29 | 509 876 98 | 2 | Mutter | Nut |
| 30 | 001 705 12 | 2 | Schubriegel | Catch |
| 31 | 304 460 12 | 2 | Blech | Sheet |
| 32 | 125 304 99 | 8 | Schraube | Screw |
| 33 | 334 649 99 | 8 | Mutter | Nut |
| 34 | 510 320 98 | 8 | Scheibe | Washer |
| 35 | 151 553 99 | 1 | Bolzen, ø45mm | Pin, ø45mm |
| 36 | 001 782 12 | 1 | Sicherheitsrost | Safety grid |
| 37 | 125 323 99 | 16 | Schraube | Screw |
| 38 | 340 506 99 | 25 | Scheibe | Washer |
| 39 | 320 444 99 | 9 | Schraube | Screw |
| 40 | 509 869 98 | 9 | Mutter | Nut |
| 41 | 304 465 12 | 3 | Blech | Sheet |
| 42 | 001 781 12 | 4 | Sicherheitsrost | Safety grid |

**Anbauteile Verkleidung
Mounting Parts Covering**

970-1002d

Seite/Page 4 / 6

| Bild-Nr Fig Fig Fig Fig Bild nr | ET-Nr Part-No No. de Piece No. de Pieza No. del Pezzo Detalj nr | Stückzahl Qty Qte Ctd Qta Antal | | Gegenstand Description Designation Descripcion Designazione Benaemning |
|--|--|--|---|---|
| 51 | 673 085 40 | 1 | Deckel Ø 340mm | Cover Ø 340mm |
| 52 | 303 568 12 | 1 | Deckel Ø 460mm | Cover Ø 460mm |
| 53 | 673 058 40 | 2 | Deckel | Cover |
| 54 | 547 735 40 | 2 | Deckel Ø 250mm | Cover Ø 250mm |
| 56 | 673 705 40 | 1 | Aufnahme | Receptable |
| 61 | 001 107 12 | 1 | Gehäuse | Housing |
| 62 | 001 108 12 | 1 | Betätigung | Control |
| 63 | 001 109 12 | 1 | Zunge | Tap |
| 64 | 001 110 12 | 1 | Montage | Montage |
| 71 | 672 888 40 | 1 | Spiegelhalter, SK | Mirror bracket, weldet |
| 72 | 451 259 40 | 1 | Spiegel | Mirror |
| 73 | 621 426 40 | 1 | Spiegel | Mirror |
| 74 | 551 276 40 | 1 | Spiegel | Mirror |
| 75 | - | 1 | Elektrik zum Spiegel s. EL-Blatt 970-2100a, etc. | Electric for mirror see page 970-2100a, etc. |
| 84 | 510 867 98 | 2 | Klemmhälftenpaar | Pair of half clamps |
| 85 | 511 858 98 | 2 | Deckplatte | Cover plate |
| 86 | 654 759 40 | 1 | Hakenverschluß | Catch |
| 87 | 672 693 40 | 1 | Halter | Retainer |
| 88 | 672 793 40 | 1 | Vierkant | Square |
| 89 | 510 874 98 | 2 | Schraube | Screw |
| 90 | 509 798 98 | 2 | Schraube | Screw |
| 91 | 510 028 98 | 4 | Scheibe | Washer |
| 92 | 509 862 98 | 4 | Mutter | Nut |
| 93 | 509 819 98 | 2 | Schraube | Screw |
| 94 | 510 321 98 | 4 | Scheibe | Washer |
| 95 | 000 217 12 | 2 | Klemmhebel | Clamping lever |
| 96 | 510 080 98 | 2 | Schraube | Screw |
| 97 | 340 506 99 | 2 | Scheibe | Washer |
| 99 | 655 253 40 | 1 | Klappstecker | Circlip |
| 101 | 655 198 40 | 1 | Abschleppkupplung | Draw bar coupling |
| 102 | 655 200 40 | 1 | Bolzen | Pin |
| 103 | 510 898 98 | 4 | Schraube | Bolt |
| 151 | 421 451 12 | 4 | Anti-Rutschbelag | Non-slip floor |
| 152 | 421 452 12 | 2 | Anti-Rutschbelag | Non-slip floor |
| 153 | 421 453 12 | 4 | Anti-Rutschbelag | Non-slip floor |
| 155 | 421 455 12 | 5 | Anti-Rutschbelag | Non-slip floor |
| 161 | 303 535 12 | 1 | Dämmatte | Insulation |
| 162 | 303 537 12 | 1 | Blech | Sheet |
| 163 | 303 538 12 | 1 | Blech | Sheet |
| 164 | 509 862 98 | 7 | Mutter | Nut |

| Bild-Nr Fig Fig Fig Fig Bild nr | ET-Nr Part-No No. de Piece No. de Pieza No. del Pezzo Detalj nr | Stückzahl Qty Qte Ctd Qta Antal | | Gegenstand Description Designation Descripcion Designazione Benaemning |
|---|---|---|---------------|--|
| 165 | 510 321 98 | 7 | Scheibe | Washer |
| 231 | 673 610 40 | 1 | Schutzgitter | Protective grating |
| 234 | 509 759 98 | 6 | Schraube | Screw |
| 235 | 510 341 98 | 8 | Schraube | Screw |
| 236 | 509 870 98 | 8 | Mutter | Nut |
| 237 | 510 321 98 | 8 | Scheibe | Washer |
| 238 | 167 693 40 | - | Kantenschutz | Header |
| 241 | 509 776 98 | 6 | Schraube | Screw |
| 242 | 340 506 99 | 8 | Scheibe | Washer |
| 243 | 509 778 98 | 2 | Schraube | Screw |
| 244 | 305 651 12 | 2 | Distanzrohr | Spacer pipe |
| 245 | 305 652 12 | 1 | Schutzblech | Protection plate |
| 251 | 307 034 12 | 1 | Zwischenstück | Extension |
| 252 | 509 759 98 | 4 | Schraube | Screw |
| 253 | 510 321 98 | 4 | Scheibe | Washer |
| 254 | 509 862 98 | 4 | Mutter | Nut |