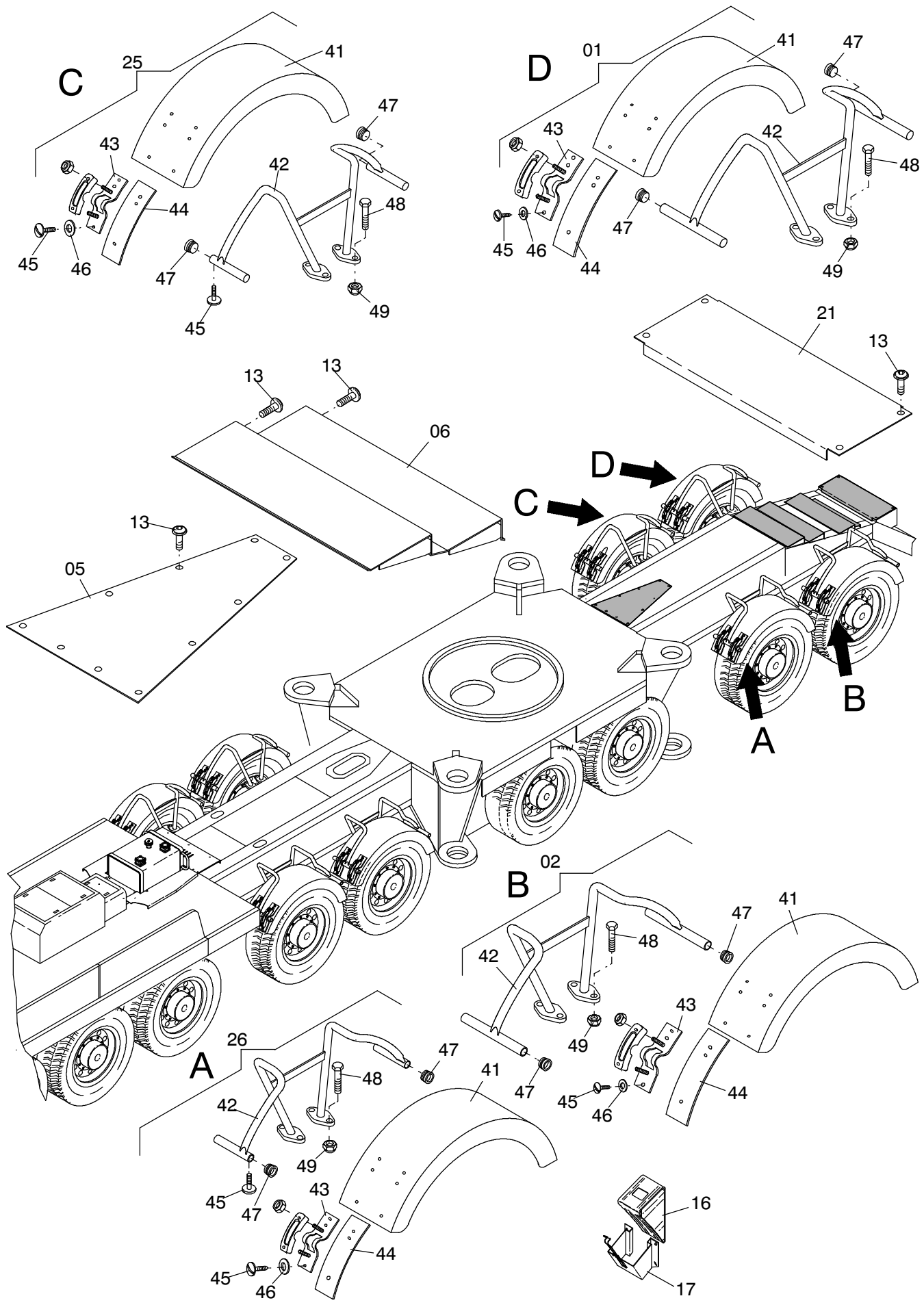


**987-1004a**

Seite/Page 1 / 3



**987-1004a**

| Bild-Nr<br>Fig<br>Fig<br>Fig<br>Fig<br>Bild nr | ET-Nr<br>Part-No<br>No. de Piece<br>No. de Pieza<br>No. del Pezzo<br>Detalj nr | Stückzahl<br>Qty<br>Qte<br>Ctd<br>Qta<br>Antal |  | Gegenstand<br>Description<br>Designation<br>Descripción<br>Designazione<br>Benaemning |
|--|--|--|--|---|
| 01   | 123 898 12   | 3  | Kotflügel rechts, kpl.<br>best. aus Bild-Nr. 41-49 | Fender, r.h. assy.<br>consist. of fig-nos: 41-49                                      |
| 02   | 123 899 12   | 3  | Kotflügel links, kpl.<br>best. aus Bild-Nr. 41-49  | Fender, l.h. assy.<br>consist. of fig-nos: 41-49                                      |
| 03   | 120 309 12   | 1  | Abdeckblech  | Cover plate   |
| 04   | 120 310 12   | 1  | Abdeckblech  | Cover plate   |
| 05   | 120 311 12   | 1  | Abdeckblech  | Cover plate   |
| 06   | 120 888 12   | 1  | Stufenblech, kpl.                                  | Plate assy.   |
| 07   | 120 313 12   | 2  | Schürze  | Protection cover  |
| 08   | 120 889 12   | 2  | Schürze  | Protection cover  |
| 09   | 120 887 12   | 1  | Stufenblech, kpl.                                  | Plate assy.   |
| 10   | 513 957 98   | 46   | Schraube   | Screw   |
| 11   | 509 869 98   | 46   | Mutter   | Nut   |
| 12   | 350 766 99   | 46   | Scheibe  | Washer  |
| 13   | 004 703 98   | 26   | Schraube   | Screw   |
| 14   | 270 722 40   | 32   | Blindbolzen  | Dummy bolt  |
| 15   | 634 056 40   | 1  | Flex. Band   | Flex. band  |
| 16   | 243 649 40   | 4  | Unterlegkeil                                       | Chock   |
| 17   | 243 648 40   | 4  | Unterlegkeilhalter                                 | Retaining device for chock  |
| 18   | 120 316 12   | 1  | Abdeckblech  | Cover plate   |
| 19   | 120 885 12   | 2  | Gummi  | Rubber  |
| 20   | 120 886 12   | 2  | Gummi  | Rubber  |
| 21   | 120 708 12   | 1  | Abdeckblech  | Cover plate   |
| 22   | 120 909 12   | 1  | Abdeckblech  | Cover plate   |
| 23   | 120 910 12   | 1  | Abdeckblech  | Cover plate   |
| 24   | 120 441 12   | 1  | Verkleidungsblech                                  | Covering plate  |
| 25   | 123 896 12   | 1  | Kotflügel rechts, kpl.<br>best. aus Bild-Nr. 41-49 | Fender, r.h. assy.<br>consist. of fig-nos: 41-49                                      |
| 26   | 123 897 12   | 1  | Kotflügel links, kpl.<br>best. aus Bild-Nr. 41-49  | Fender, l.h. assy.<br>consist. of fig-nos: 41-49                                      |
| 41   | 440 937 40   | 1  | Gummikotflügel                                     | Fender (rubber)   |
| 42   | 123 895 12   | 1  | Kotflügelhalter                                    | Retainer for fender   |
| 43   | 440 936 40   | 4  | Konsole  | Console   |
| 44   | 440 938 40   | 4  | Unterlegblech                                      | Lining plate  |
| 45   | 635 434 40   | 16   | Kotflügel-Schraube                                 | Fender screw  |
| 46   | 340 507 99   | 16   | Scheibe  | Washer  |
| 47   | 000 586 12   | 4  | Kegelstopfen                                       | Plug, tapered   |
| 48   | 307 828 99   | 4  | Schraube   | Bolt  |
| 49   | 334 695 99   | 4  | Mutter   | Nut   |

**Abdeckung - Hinterrahmen**  
**Covering - Rear Frame**

**987-1004a**

Seite/Page 3 / 3