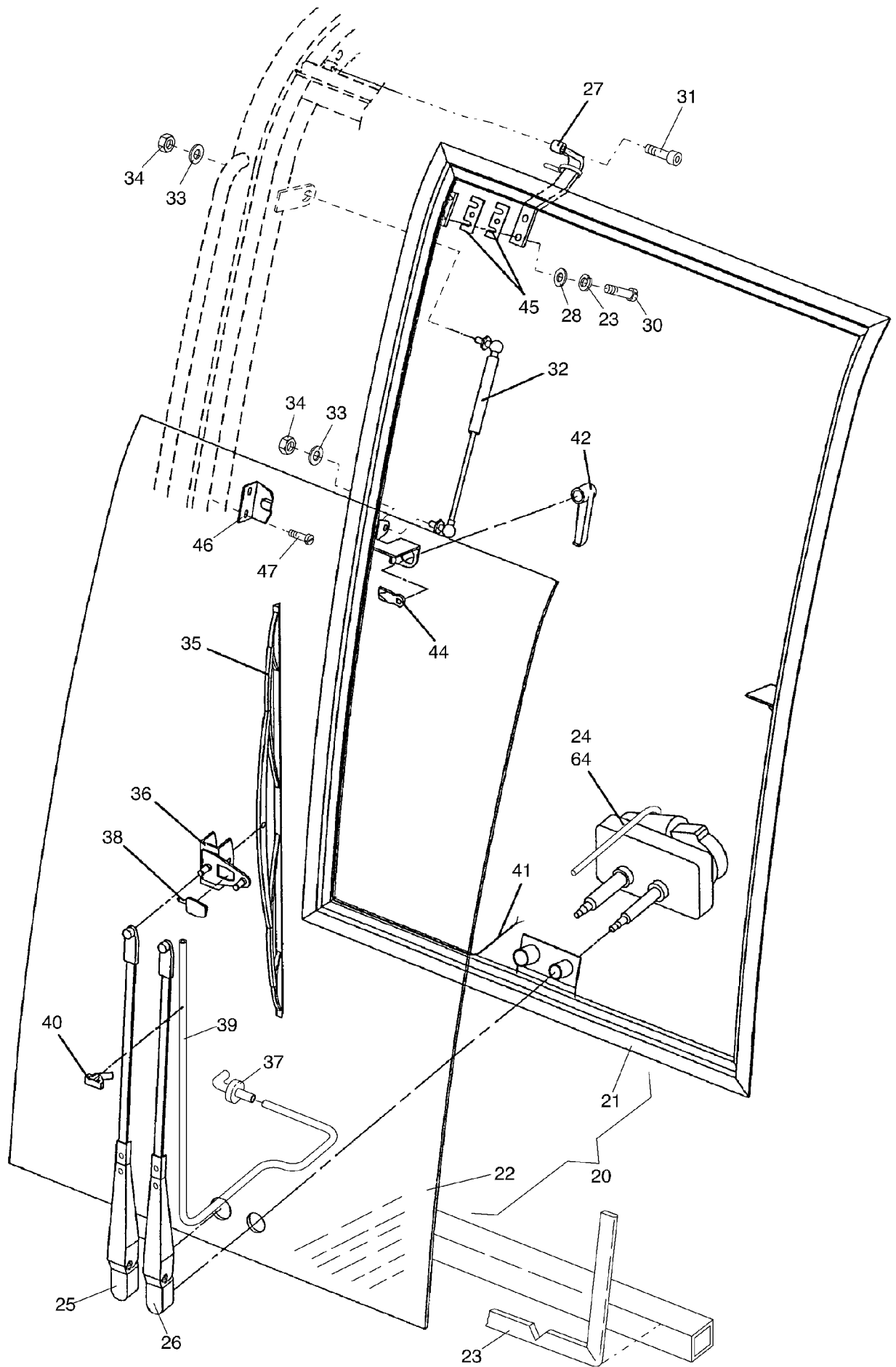
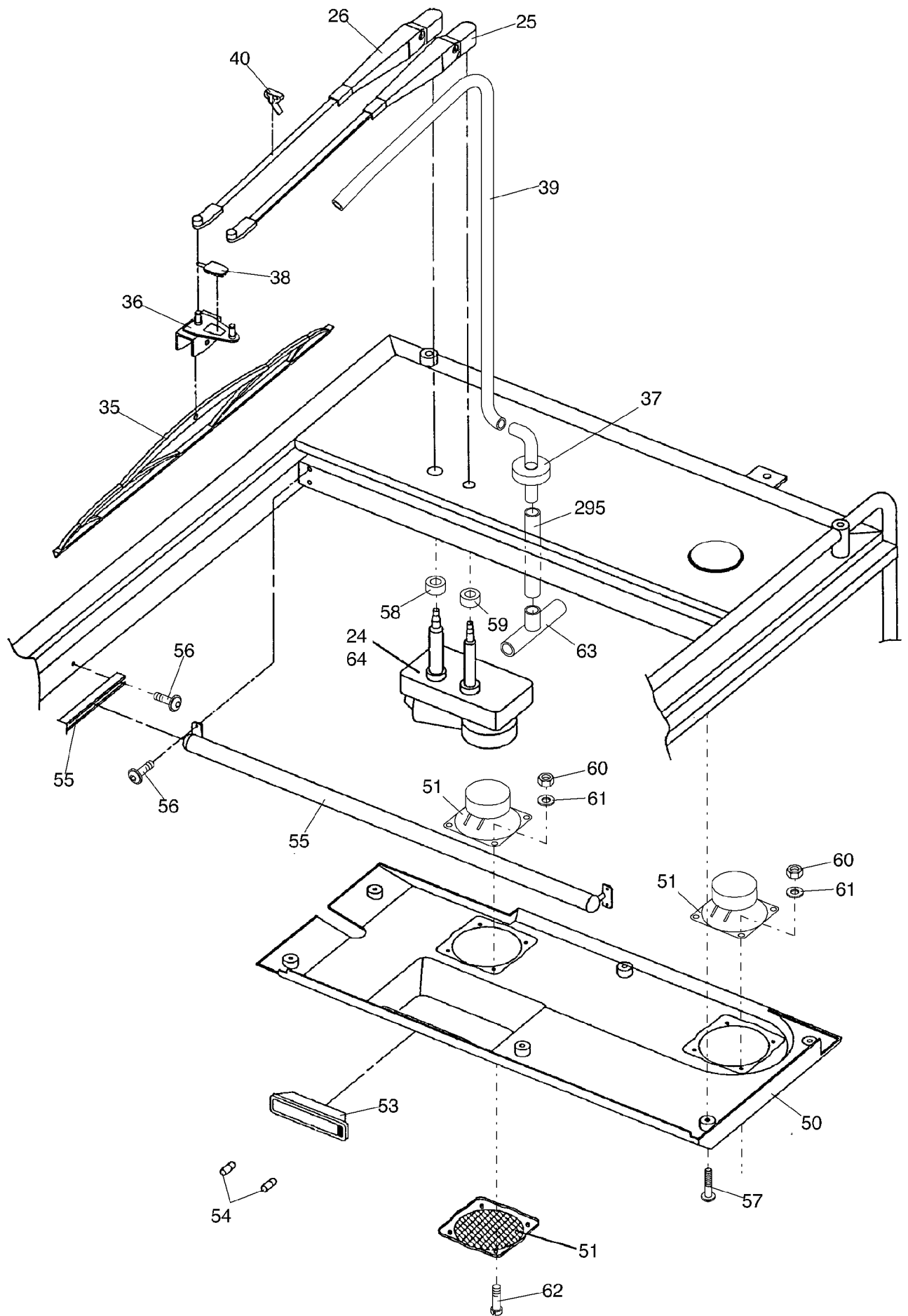


993-1481

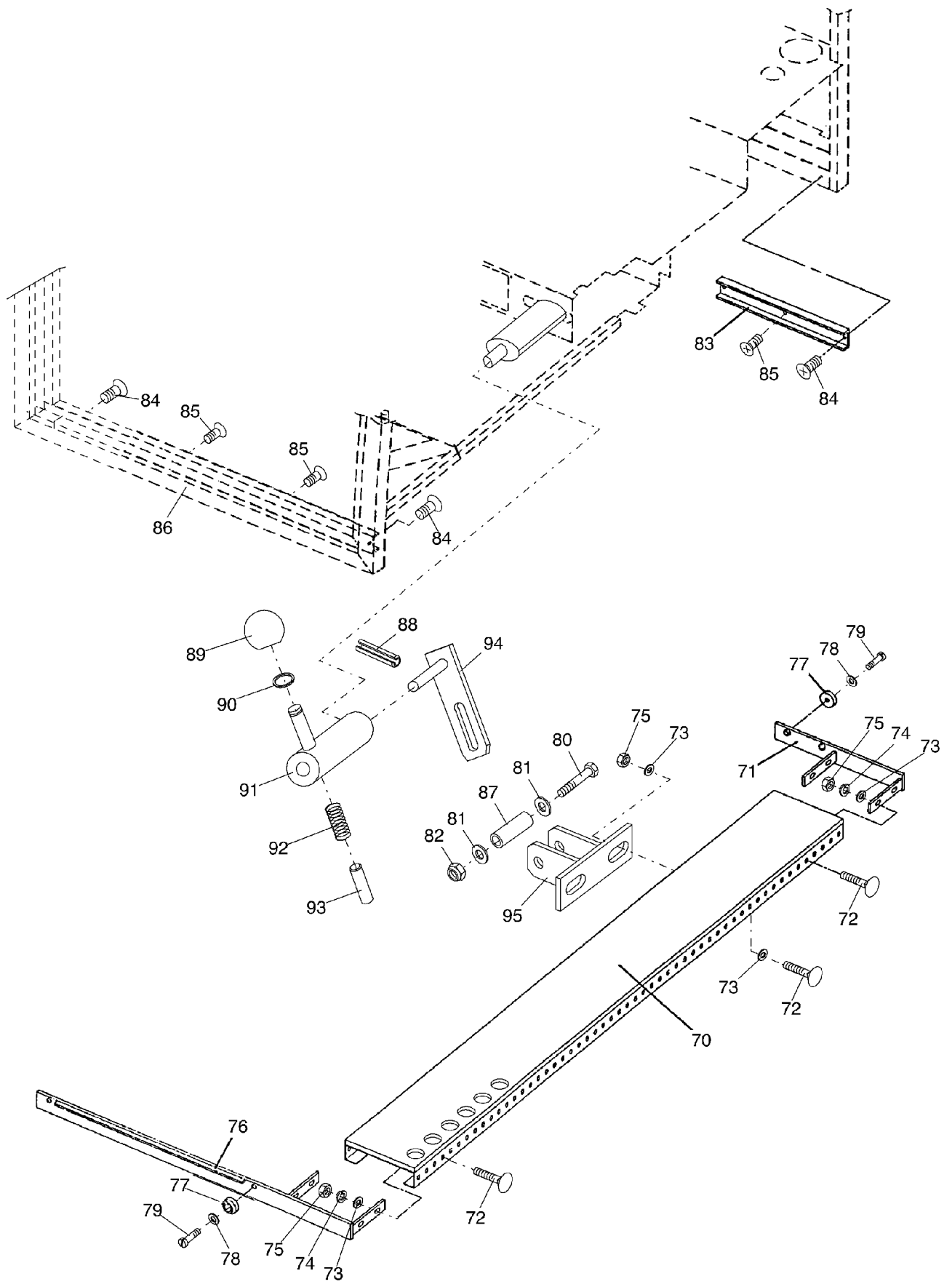
Seite/Page 1 / 17



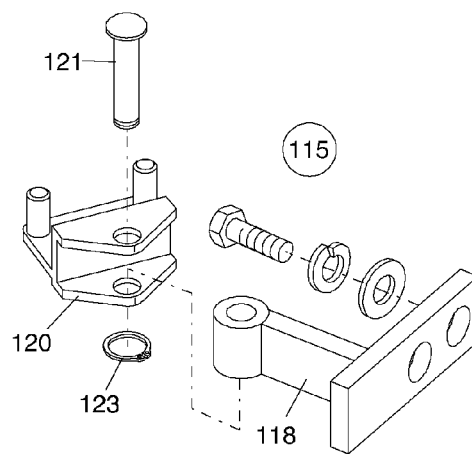
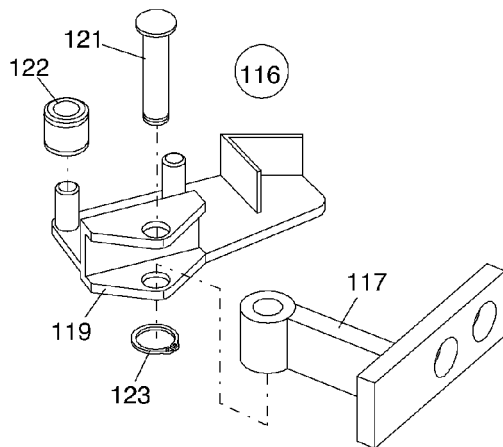
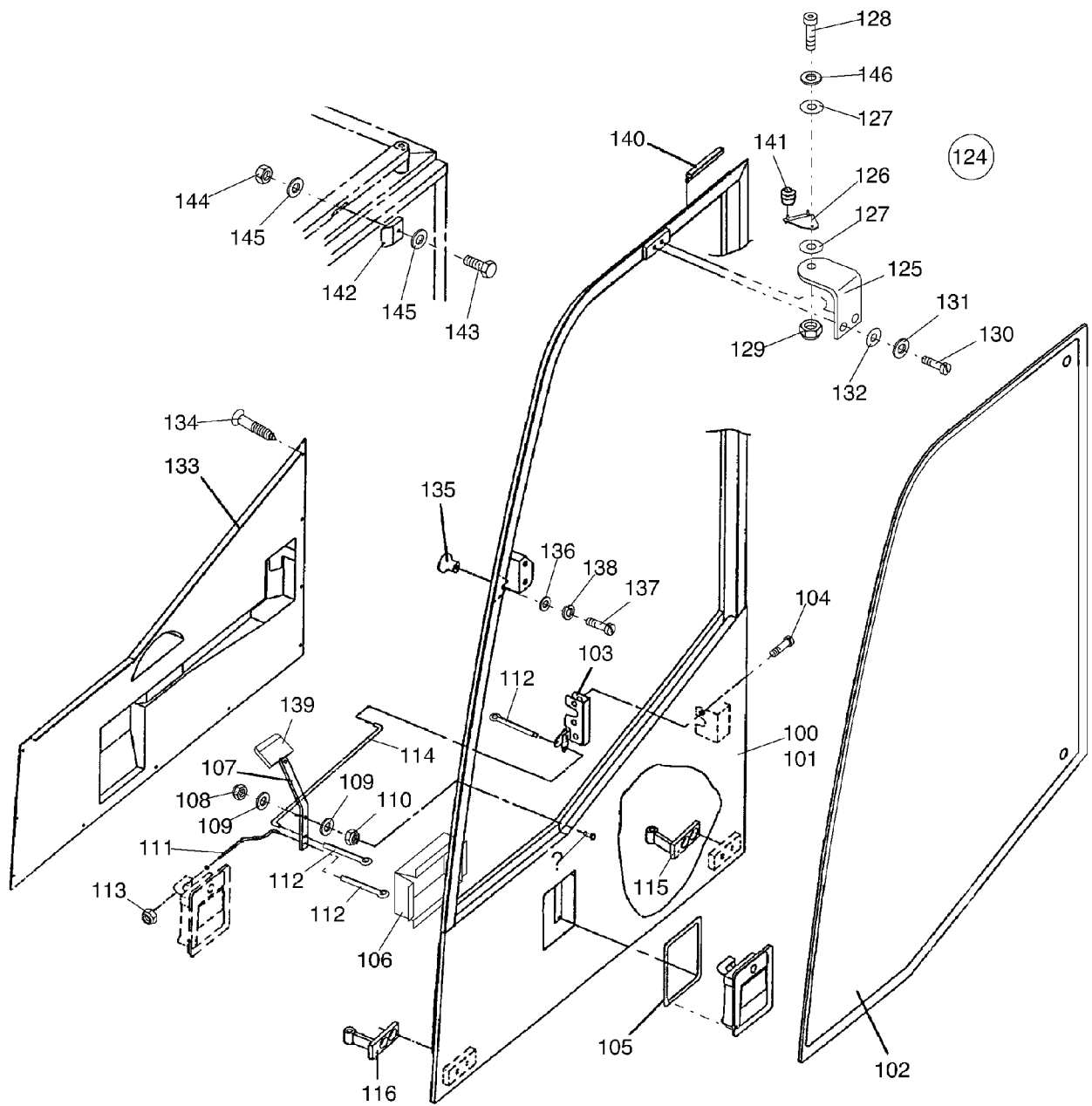
993-1481



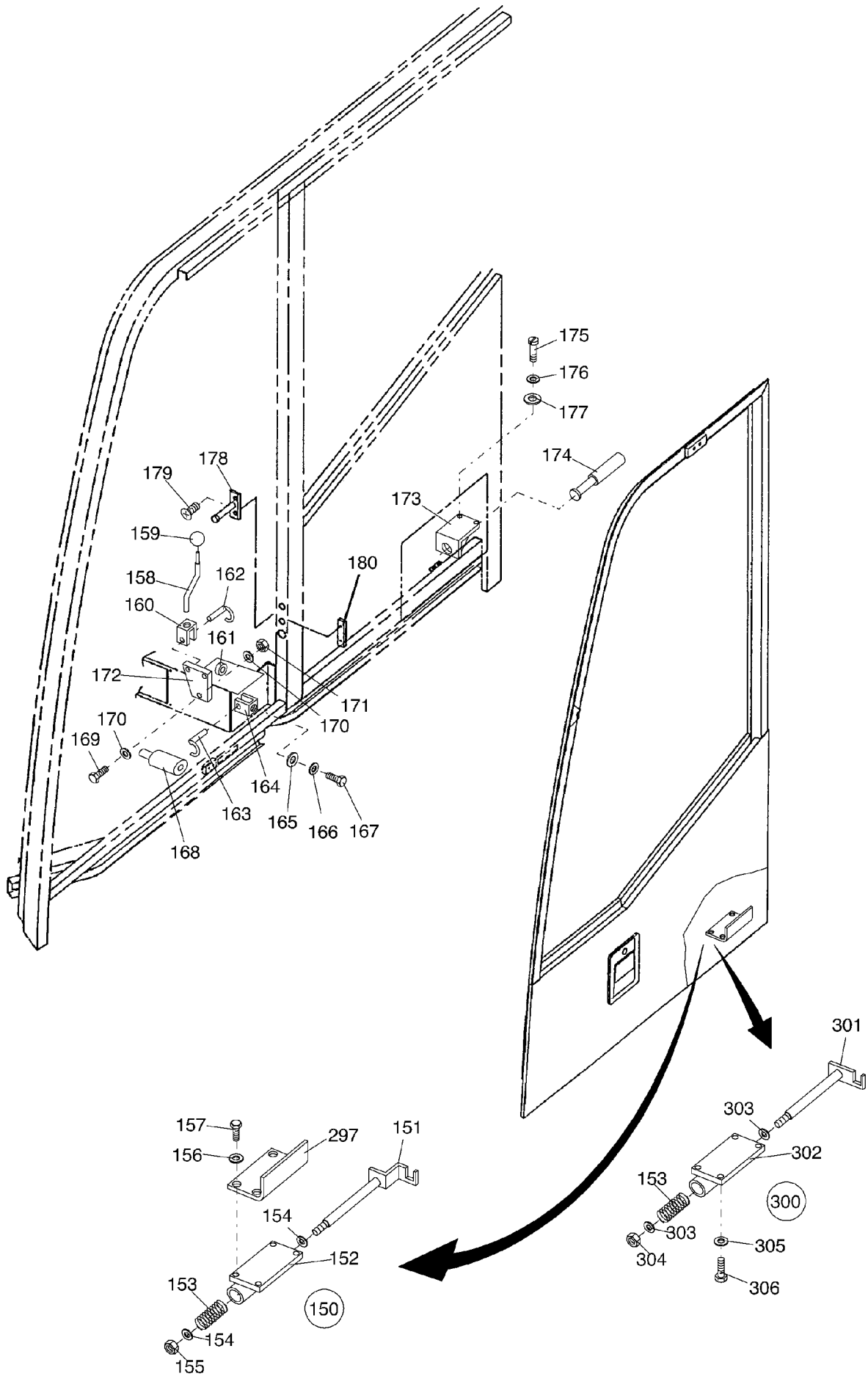
993-1481

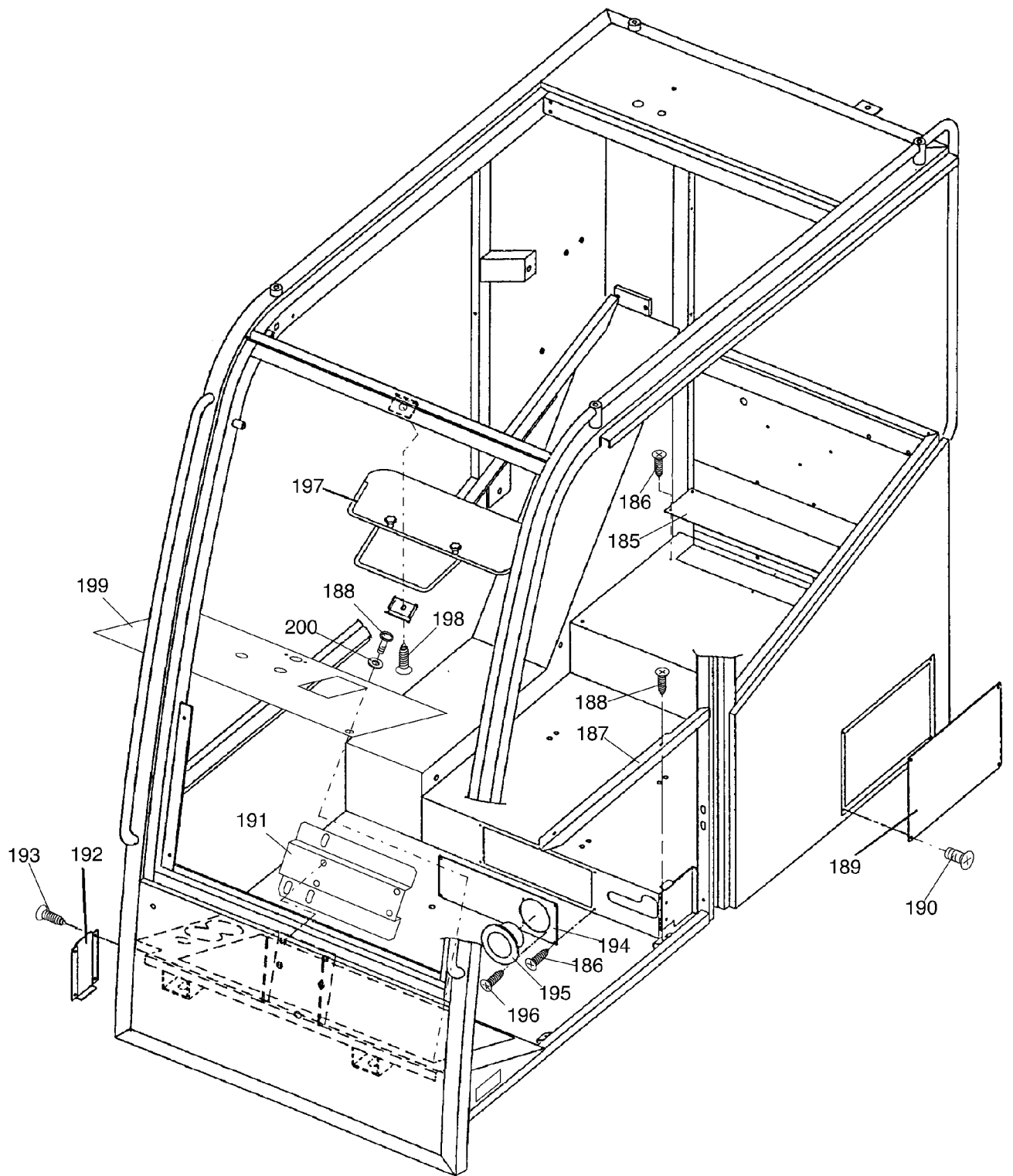


993-1481



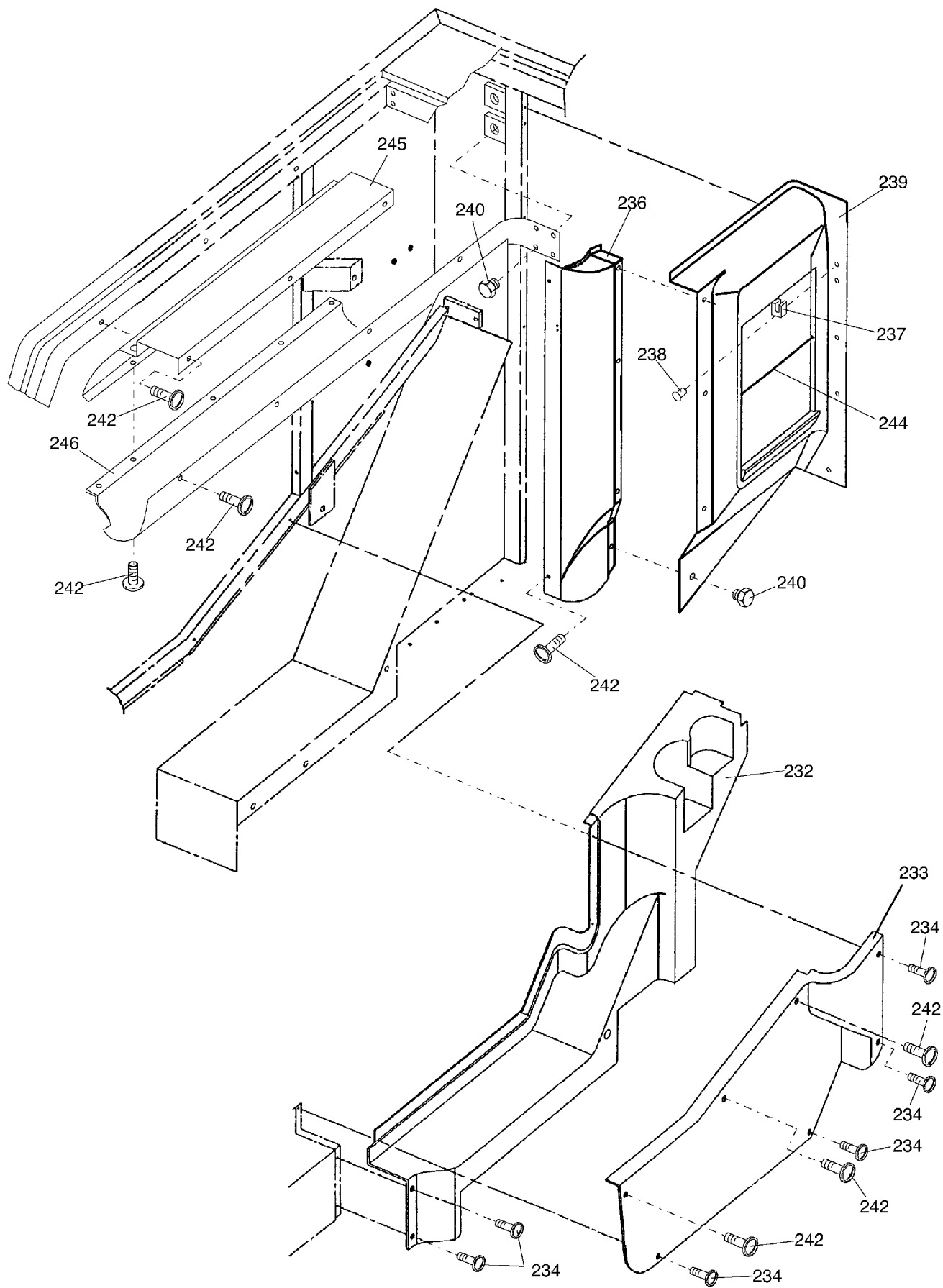
993-1481



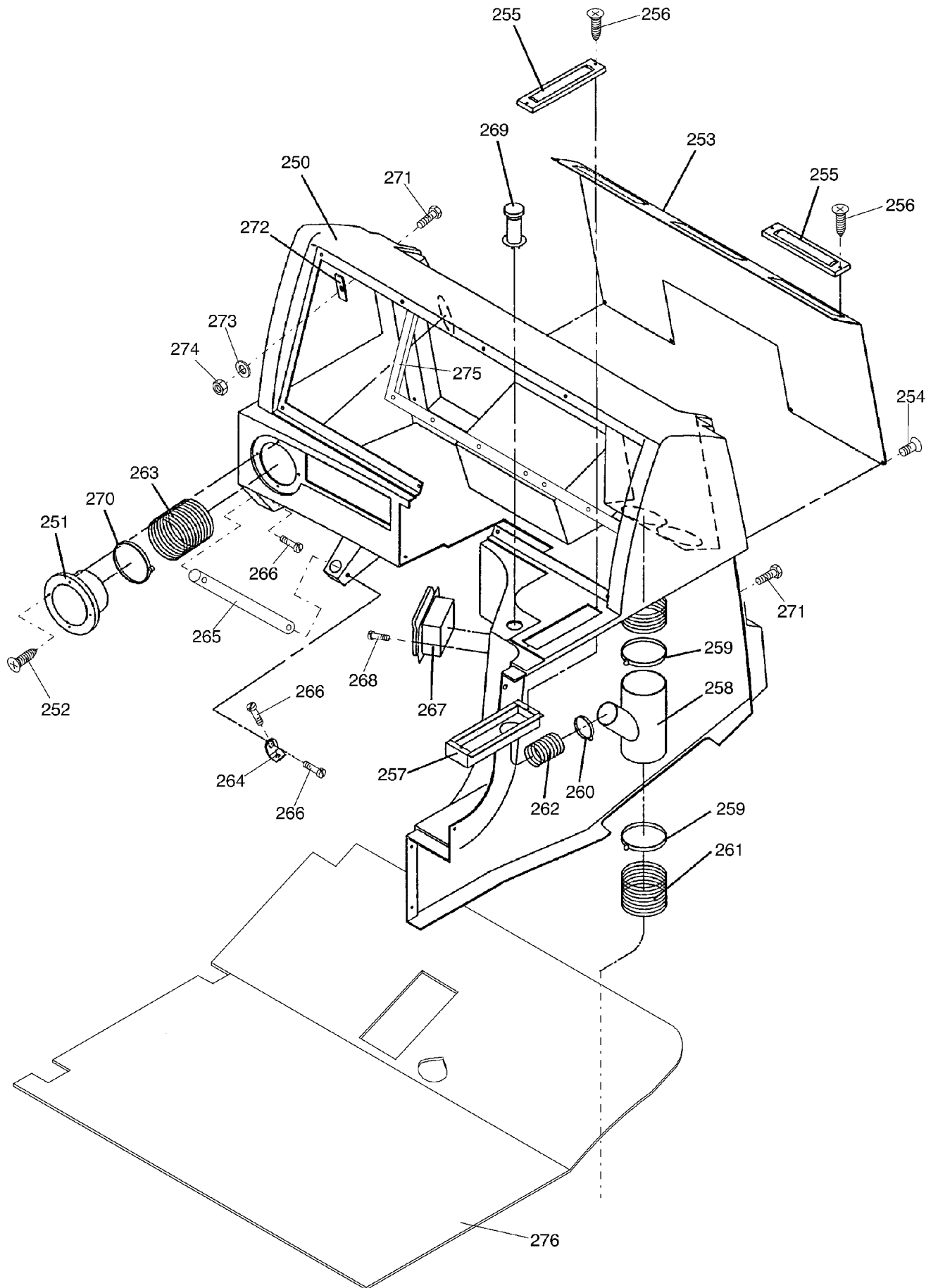


993-1481

Seite/Page 7 / 17

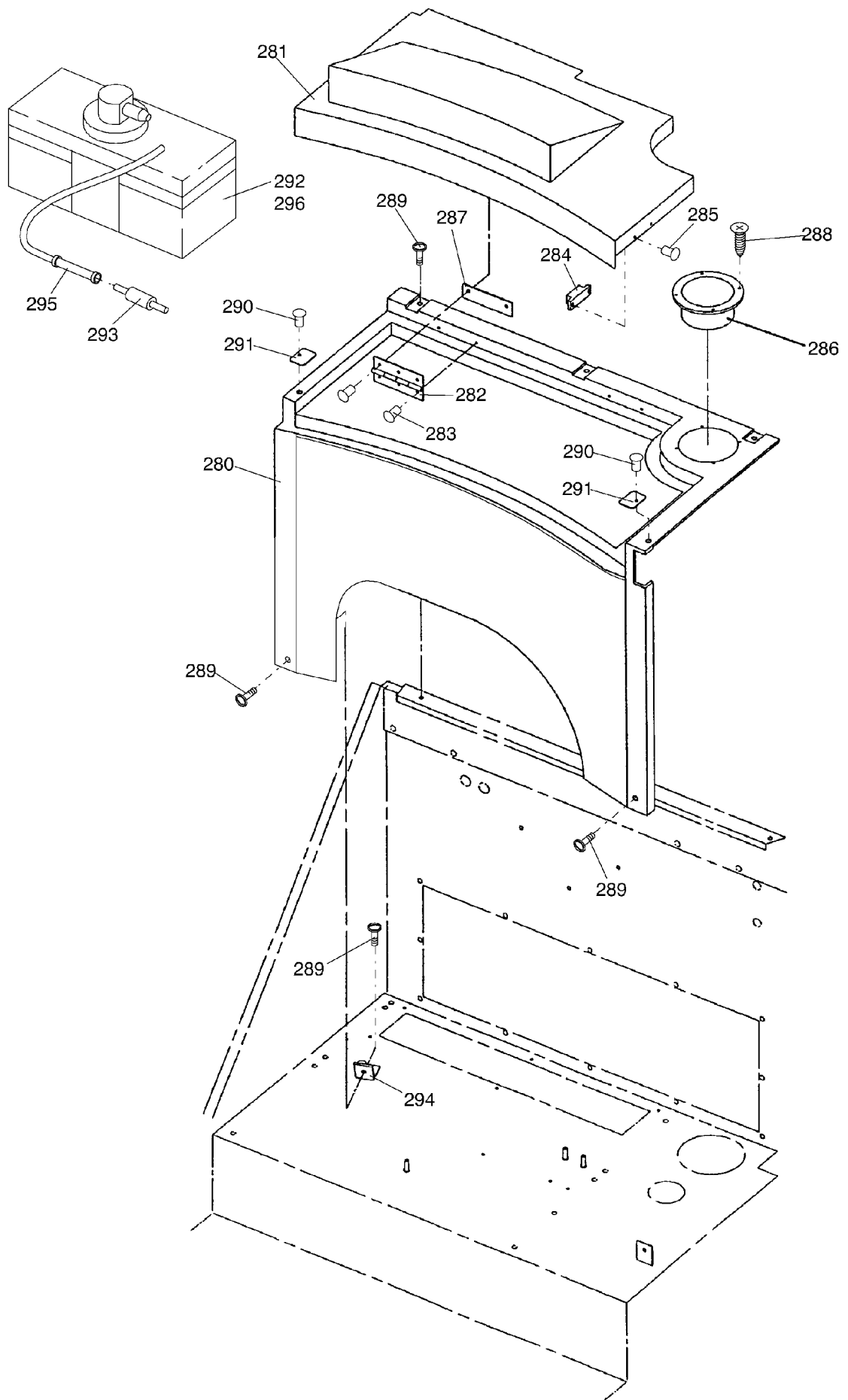


993-1481



993-1481

Seite/Page 9 / 17



993-1481

Seite/Page 10 17

| Bild-Nr Fig Fig Fig Fig Bild nr | ET-Nr Part-No No. de Piece No. de Pieza No. del Pezzo Detalj nr | Stückzahl Qty Qte Ctd Qta Antal | | Gegenstand Description Designation Descripción Designazione Benaemning |
|--|--|--|-------------------------|---|
| 01 | 119 085 12 | 1 | Kabine mit Anbauteilen | Cabin with mounting parts |
| 03 | 420 118 12 | 1 | Seitenscheibe | Side window |
| 04 | 115 777 12 | 1 | Seitenscheibe | Side window |
| 05 | 420 120 12 | 1 | Heckscheibe | Rear pane |
| 06 | 420 117 12 | 1 | Dachscheibe | Roof pane |
| 07 | 450 344 12 | 1 | Antenne | Antenna |
| 08 | 450 345 12 | 1 | Verlängerungskabel | Extension cable |
| 09 | 450 346 12 | 1 | Kabelbaum | Harness cabin |
| 10 | 450 347 12 | 1 | Stecker | Plug |
| 11 | 450 348 12 | 4 | Ringschraube | Eyebolt |
| 12 | 450 353 12 | 1 | Dämmstoff | Insulation side plate |
| 13 | 450 354 12 | 1 | Dämmstoff | Insulation |
| 14 | 450 355 12 | 1 | Dämmstoff | Insulation side plate |
| 15 | 450 356 12 | 1 | Schaumabdeckung | Foamcover |
| 16 | 450 357 12 | 1 | Dämmstoff | Insulation side plate |
| 20 | 440 144 12 | 1 | Frontscheibe mit Rahmen | Front pane with frame |
| 21 | 450 358 12 | 1 | Rahmen | Frame |
| 22 | 440 055 12 | 1 | Frontscheibe | Front pane |
| 23 | 450 253 12 | - | Dichtungsleiste | Seal strip |
| 24 | 450 401 12 | 2 | Wischeranlage | Parallel wiper system |
| 25 | 269 608 40 | 2 | Wischarm | Wiper arm |
| 26 | 450 402 12 | 2 | Führungsarm | Guide arm |
| 27 | 450 359 12 | 2 | Frontscheibenscharnier | Front pane hinge |
| 28 | 450 254 12 | 4 | Scheibe | Washer |
| 29 | 450 255 12 | 4 | Federring | Lock washer |
| 30 | 450 256 12 | 4 | Schraube | Screw |
| 31 | 450 257 12 | 2 | Bolzen | Pin |
| 32 | 440 075 12 | 2 | Gasfeder | Gas operated positioner |
| 33 | 450 254 12 | 4 | Scheibe | Washer |
| 34 | 450 263 12 | 4 | Mutter | Nut |
| 35 | 101 087 12 | 2 | Wischerblatt 800 | Wiper blade |
| 36 | 270 343 40 | 2 | Reiter | Bracket |
| 37 | 440 079 12 | 1 | Sprinklerwinkel | Sprinkler angle |
| 38 | 490 378 40 | 2 | Sprinklerdüse | Sprinkler nozzle |
| 39 | * | - | Gummischlauch | Rubber hose |
| 40 | 450 403 12 | 6 | Clip | Clip |
| 41 | 440 082 12 | 1 | Kabelbaum | Harness wiper |
| 42 | 450 349 12 | 2 | Handgriff | Handle |
| 44 | 450 350 12 | 2 | Zunge | Tab |
| 45 | 450 360 12 | 4 | Zwischenlage | Intermediate bear |

**Kabine
Cabin**

993-1481

Seite/Page 11 /17

| Bild-Nr Fig Fig Fig Fig Bild nr | ET-Nr Part-No No. de Piece No. de Pieza No. del Pezzo Detalj nr | Stückzahl Qty Qte Ctd Qta Antal | | Gegenstand Description Designation Descripción Designazione Benaeming |
|--|--|--|--------------------|--|
| 46 | 450 258 12 | 2 | Verriegelungsblech | Stop |
| 47 | 450 259 12 | 4 | Schraube | Screw |
| 50 | 450 361 12 | 1 | Innendach | Internal roof |
| 51 | 450 351 12 | 1 | Lautsprechersatz | Speaker set |
| 53 | 000 442 12 | 1 | Innenlicht | Internal lighting |
| 54 | 000 443 12 | 2 | Glühbirne | Bulb |
| 55 | 440 140 12 | 1 | Rollo | Sun visor |
| 56 | 450 362 12 | 10 | Schraube | Screw |
| 57 | 115 791 12 | 6 | Schraube | Screw |
| 58 | 450 363 12 | 1 | Buchse | Bushing |
| 59 | 450 364 12 | 1 | Buchse | Bushing |
| 60 | 450 260 12 | 8 | Mutter | Nut |
| 61 | 450 318 12 | 8 | Scheibe | Washer |
| 62 | 450 261 12 | 8 | Schraube | Screw |
| 63 | 440 312 12 | 1 | T-Stück | T-Union |
| 64 | 450 404 12 | - | Wischermotor | Wiper motor |
| 70 | 420 226 12 | 1 | Tritt | Step |
| 71 | 450 366 12 | 1 | Beschlag | Shoe |
| 72 | 450 262 12 | 10 | Schraube | Screw |
| 73 | 450 254 12 | 12 | Scheibe | Washer |
| 74 | 450 255 12 | 12 | Federring | Washer lock |
| 75 | 450 263 12 | 10 | Mutter | Nut |
| 76 | 450 367 12 | 1 | Beschlag | Shoe |
| 77 | 440 169 12 | 4 | Laufrolle | Roller |
| 78 | 450 264 12 | 4 | Scheibe | Washer |
| 79 | 450 265 12 | 4 | Schraube | Screw |
| 80 | 450 266 12 | 1 | Schraube | Screw |
| 81 | 450 267 12 | 2 | Scheibe | Plate |
| 82 | 450 268 12 | 1 | Mutter | Nut |
| 83 | 450 368 12 | 1 | Schiene | Rail |
| 84 | 450 269 12 | 4 | Schraube | Screw |
| 85 | 450 270 12 | 3 | Schraube | Screw |
| 86 | 450 271 12 | 1 | Schiene | Rail |
| 87 | 450 272 12 | 1 | Buchse | Bushing |
| 88 | 450 273 12 | 1 | Spannstift | Dowel pin |
| 89 | 450 274 12 | 1 | Kugelkopf | Ball handle |
| 90 | 450 275 12 | 1 | Sicherungsring | Circlip |
| 91 | 450 276 12 | 1 | Hebel | Lever |
| 92 | 450 277 12 | 1 | Druckfeder | Spring |
| 93 | 450 278 12 | 1 | Bolzen | Pin |
| 94 | 450 279 12 | 1 | Hebel | Lever |

**Kabine
Cabin**

993-1481

Seite/Page 12 17

| Bild-Nr Fig Fig Fig Fig Bild nr | ET-Nr Part-No No. de Piece No. de Pieza No. del Pezzo Detalj nr | Stückzahl Qty Qte Ctd Qta Antal | | Gegenstand Description Designation Descripción Designazione Benaemning |
|--|--|--|------------------|---|
| 95 | 450 405 12 | 1 | Halter | Bracket |
| 100 | 450 369 12 | 1 | Schiebetür kpl. | Sliding door assy. |
| 101 | 450 370 12 | 1 | Schiebetür | Sliding door |
| 102 | 440 128 12 | 1 | Türscheibe | Door pane |
| 103 | 420 644 12 | 1 | Türschloss | Door lock |
| 104 | 450 280 12 | 3 | Schraube | Screw |
| 105 | 440 253 12 | 1 | Dichtung | Gasket |
| 106 | 450 371 12 | 1 | Beschlag | Shoe |
| 107 | 450 372 12 | 1 | Auslösehebel | Actuator lever |
| 108 | 450 281 12 | 1 | Sicherungsmutter | Lock nut |
| 109 | 450 282 12 | 2 | Scheibe | Plate |
| 110 | 450 283 12 | 1 | Mutter | Nut |
| 111 | 420 324 12 | 1 | Zugstange | Draw bar |
| 112 | 450 284 12 | 1 | Splint | Cotter pin |
| 113 | 450 285 12 | 4 | Mutter | Nut |
| 114 | 450 373 12 | 1 | Zugstange | Draw bar |
| 115 | 450 286 12 | 1 | Schlitten kpl. | Cradle assy. |
| 116 | 450 287 12 | 1 | Schlitten kpl. | Cradle assy. |
| 117 | 450 288 12 | 1 | Drehgelenk | Knuckle |
| 118 | 450 289 12 | 1 | Drehgelenk | Knuckle |
| 119 | 450 290 12 | 1 | Schlitten | Cradle |
| 120 | 450 291 12 | 1 | Schlitten | Cradle |
| 121 | 450 410 12 | 2 | Bolzen | Pin |
| 122 | 440 121 12 | 4 | Rolle | Guide |
| 123 | 450 275 12 | 2 | Sicherungsring | Circlip |
| 124 | 440 091 12 | 1 | Türführung kpl. | Guide assy. |
| 125 | 450 374 12 | 1 | Führung | Guide |
| 126 | 440 165 12 | 1 | Schlitten | Cradle |
| 127 | 450 375 12 | 2 | Plastikscheibe | Plastic plate |
| 128 | 450 292 12 | 1 | Bolzen | Pin |
| 129 | 450 293 12 | 1 | Mutter | Nut |
| 130 | 450 294 12 | 2 | Schraube | Screw |
| 131 | 450 255 12 | 2 | Scheibe | Washer |
| 132 | 450 295 12 | 2 | Scheibe | Washer |
| 133 | 115 789 12 | 1 | Türplatte | Door plate |
| 134 | 115 790 12 | 13 | Schraube | Sheet metal |
| 135 | 440 111 12 | 1 | Handgriff | Handle |
| 136 | 450 296 12 | 1 | Scheibe | Washer |
| 137 | 450 297 12 | 1 | Schraube | Screw |
| 138 | 450 298 12 | 1 | Federring | Lock washer |
| 139 | 450 299 12 | 1 | Griff | Handle |

**Kabine
Cabin**

993-1481

Seite/Page 13 17

| Bild-Nr Fig Fig Fig Fig Bild nr | ET-Nr Part-No No. de Piece No. de Pieza No. del Pezzo Detalj nr | Stückzahl Qty Qte Ctd Qta Antal | | Gegenstand Description Designation Descripcion Designazione Benaemning |
|--|--|--|-------------------|---|
| 140 | * | - | Dichtungsleiste | Sealing strip |
| 141 | 440 120 12 | 2 | Rolle | Guide roller |
| 142 | 450 300 12 | 1 | Stop | Stop |
| 143 | 450 301 12 | 1 | Schraube | Screw |
| 144 | 450 302 12 | 1 | Mutter | Nut |
| 145 | 450 264 12 | 2 | Scheibe | Washer |
| 146 | 450 303 12 | 1 | Scheibe | Washer |
| 150 | 450 304 12 | 1 | Rückholfeder kpl. | Return spring assy. |
| 151 | 450 305 12 | 1 | Achse | Axle |
| 152 | 450 306 12 | 1 | Buchse | Bushing |
| 153 | 450 307 12 | 1 | Feder | Spring |
| 154 | 450 308 12 | 2 | Scheibe | Washer |
| 155 | 450 421 12 | 1 | Spannhülse | Dowel sleeve |
| 156 | 450 337 12 | 4 | Scheibe | Plate |
| 157 | 450 422 12 | 4 | Schraube | Screw |
| 158 | 450 309 12 | 1 | Auslöser | Door acutator |
| 159 | 450 274 12 | 1 | Kugelgriff | Ball handle |
| 160 | 450 310 12 | 1 | Gabelkopf | Fork end |
| 161 | 450 311 12 | 1 | Kabelmuffe | Cable sleeve |
| 162 | 450 312 12 | 1 | Federklappbolzen | Spring bolt |
| 163 | 450 313 12 | 1 | Federklappbolzen | Spring bolt |
| 164 | 450 314 12 | 1 | Gabelkopf | Fork end |
| 165 | 450 315 12 | 1 | Scheibe | Washer |
| 166 | 450 298 12 | 1 | Scheibe | Washer |
| 167 | 450 297 12 | 1 | Schraube | Screw |
| 168 | 450 316 12 | 1 | Federriegel | Twist lock |
| 169 | 450 317 12 | 1 | Schraube | Screw |
| 170 | 450 318 12 | 2 | Scheibe | Washer |
| 171 | 450 260 12 | 1 | Mutter | Nut |
| 172 | 450 319 12 | 1 | Platte | Plate |
| 173 | 450 320 12 | 1 | Winkel | Angle |
| 174 | 450 321 12 | 1 | Stoßdämpfer | Shock absorber |
| 175 | 450 322 12 | 2 | Schraube | Screw |
| 176 | 450 255 12 | 2 | Scheibe | Washer |
| 177 | 450 254 12 | 2 | Scheibe | Washer |
| 178 | 450 323 12 | 1 | Schließzapfen | Catch |
| 179 | 450 324 12 | 1 | Schraube | Screw |
| 180 | 450 325 12 | 1 | Platte | Plate |
| 185 | 450 376 12 | 1 | Abdeckplatte | Cover plate |
| 186 | 450 326 12 | 10 | Schraube | Screw |
| 187 | 450 327 12 | 1 | Türschwelle | Door step |

**Kabine
Cabin**

993-1481

Seite/Page 14 17

| Bild-Nr Fig Fig Fig Fig Bild nr | ET-Nr Part-No No. de Piece No. de Pieza No. del Pezzo Detalj nr | Stückzahl Qty Qte Ctd Qta Antal | | Gegenstand Description Designation Descripcion Designazione Benaemning |
|--|--|--|-----------------------|---|
| 188 | 450 259 12 | 2 | Schraube | Screw |
| 189 | 450 377 12 | 1 | Inspektionsklappe | Inspection clap |
| 190 | 450 328 12 | 4 | Schraube | Screw |
| 191 | 884 934 40 | 1 | Halter | Bracket |
| 192 | 450 378 12 | 1 | Abdeckung | Cover side-plate |
| 193 | 450 329 12 | 4 | Schraube | Screw |
| 194 | 450 379 12 | 1 | Platte | Plate for nozzle |
| 195 | 115 787 12 | 1 | Luftdüse | Air nozzle |
| 196 | 450 330 12 | 4 | Schraube | Screw |
| 197 | 115 788 12 | 1 | Sonnenblende | Sun visor |
| 198 | 450 331 12 | 2 | Schraube | Screw |
| 199 | 450 332 12 | 1 | Bodenplatte | Plate |
| 200 | 450 380 12 | 12 | Scheibe | Washer |
| 232 | 450 381 12 | 1 | Seitenkonsole | Side console |
| 233 | 450 382 12 | 1 | Abdeckung | Cover side console |
| 234 | 450 329 12 | 7 | Schraube | Screw |
| 236 | 450 333 12 | 1 | Verkleidung | Covering |
| 237 | 884 962 40 | 1 | Haken | Hook |
| 238 | 115 778 12 | 2 | Blindniete | Blind rivet |
| 239 | 450 383 12 | 1 | Abdeckplatte | Cover plate |
| 240 | 420 787 12 | 6 | Verschlußzapfen, kpl. | Lock pin, assy. |
| 242 | 450 362 12 | 15 | Schraube | Screw |
| 244 | * | - | Gummiband | Rubber cord |
| 245 | 884 651 40 | 1 | Beschlag | Shoe |
| 246 | 450 384 12 | 1 | Armaturenkonsole | Console |
| 250 | 450 385 12 | 1 | Armaturenpult | Front panel |
| 251 | 440 255 12 | 1 | Luftdüse | Air nozzle |
| 252 | 450 334 12 | 4 | Schraube | Screw |
| 253 | 450 386 12 | 1 | Luftverteilerplatte | Air diffuse plate |
| 254 | 450 329 12 | 9 | Schraube | Screw |
| 255 | 400 404 12 | 4 | Luftdüse | Air nozzle |
| 256 | 450 335 12 | 10 | Schraube | Screw |
| 257 | 450 387 12 | 1 | Luftkasten | Air box side nozzle |
| 258 | 450 388 12 | 1 | T-Rohr | T-pipe air |
| 259 | 450 389 12 | 2 | Spannband | Strap retainer |
| 260 | 440 261 12 | 2 | Spannband | Strap retainer |
| 261 | * | - | Luftschlauch D1 | Hose |
| 262 | * | - | Luftschlauch D2 | Hose |
| 263 | * | - | Luftschlauch D3 | Hose |
| 264 | 450 390 12 | 1 | Beschlag | Shoe |
| 265 | 450 391 12 | 1 | Handgriff | Handle |

**Kabine
Cabin**

993-1481

Seite/Page 15 17

| Bild-Nr Fig Fig Fig Fig Bild nr | ET-Nr Part-No No. de Piece No. de Pieza No. del Pezzo Detalj nr | Stückzahl Qty Qte Ctd Qta Antal | | Gegenstand Description Designation Descrpcion Designazione Benaeming |
|--|--|--|--|---|
| 266 | 450 365 12 | 3 | Schraube | Screw |
| 267 | 450 392 12 | 1 | Aschenbecher | Ash tray |
| 268 | 450 336 12 | 2 | Schraube | Screw |
| 269 | 411 286 12 | 1 | Zigarettenanzünder | Cigarette lighter |
| 270 | 450 393 12 | 1 | Spannband | Strap retainer |
| 271 | 450 280 12 | 4 | Schraube | Screw |
| 272 | 450 394 12 | 4 | Spannband | Strap retainer |
| 273 | 450 337 12 | 4 | Schraube | Screw |
| 274 | 450 283 12 | 4 | Mutter | Nut |
| 275 | 450 395 12 | 1 | Verstärkung | Gusset |
| 276 | 450 338 12 | 1 | Bodenmatte | Floor mat |
| 280 | 450 396 12 | 1 | Werkzeugkasten | Tool box |
| 281 | 450 397 12 | 1 | Deckel | Cover |
| 282 | 450 398 12 | 2 | Scharnier | Hinge |
| 283 | 450 339 12 | 8 | Blindniete | Blind rivet |
| 284 | 450 340 12 | 2 | Magnetverschluß | Magnetic lock |
| 285 | 450 341 12 | 4 | Blindniete | Blind rivet |
| 286 | 450 342 12 | 1 | Düse | Nozzle |
| 287 | 450 343 12 | - | Zwischenlage | Intermediate bear |
| 288 | 450 334 12 | 4 | Schraube | Screw |
| 289 | 450 259 12 | 8 | Schraube | Screw |
| 290 | 450 341 12 | 2 | Blindniete | Blind rivet |
| 291 | 450 399 12 | 2 | Schließblech | Locking plate |
| 292 | 450 406 12 | 1 | Wasserbehälter | Sprinkler |
| 293 | 450 407 12 | 1 | Absperrventil | Check valve |
| 294 | 450 400 12 | 1 | Beschlag | Shoe |
| 295 | * | - | PVC-Schlauch | PVC - hose |
| 296 | 996 079 73 | - | Wasserpumpe | Pump, water |
| 297 | 450 413 12 | 1 | Anschweißwinkel | Angle |
| 300 | 450 418 12 | 1 | Rückholfeder kpl. | Return spring assy. |
| 301 | 450 419 12 | 1 | Achse | Axle |
| 302 | 450 420 12 | 1 | Buchse | Bushing |
| 303 | 450 303 12 | 2 | Scheibe | Washer |
| 304 | 450 352 12 | 1 | Mutter | Nut |
| 305 | 450 412 12 | 2 | Scheibe | Plate |
| 306 | 450 411 12 | 2 | Schraube | Screw |
| | | | * Meterware, bei Bestellung Länge angeben | * Bulk ware, state length required |
| * | 450 408 12 | - | PVC-Schlauch | PVC-hose |
| * | 450 409 12 | - | Gummischlauch | Rubber hose |
| * | 450 414 12 | - | Luftschlauch D1 | Hose |

**Kabine
Cabin**

993-1481

Seite/Page 16 17

| Bild-Nr Fig Fig Fig Fig Bild nr | ET-Nr Part-No No. de Piece No. de Pieza No. del Pezzo Detalj nr | Stückzahl Qty Qte Ctd Qta Antal | | Gegenstand Description Designation Descripcion Designazione Benaemning |
|--|--|--|-----------------|---|
| * | 440 259 12 | - | Luftschlauch D2 | Hose |
| * | 450 415 12 | - | Luftschlauch D3 | Hose |
| * | 450 416 12 | - | Gummiband | Rubber cord |
| * | 421 329 12 | - | Dichtungsleiste | Sealing strip |

**Kabine
Cabin**

993-1481

Seite/Page 17 17